

VISIONS

SHOWER AND TUB DOOR INSTALLATION INSTRUCTIONS

IMPORTANT

DreamLine[®] reserves the right to alter, modify or redesign products at any time without prior notice for the purpose of product improvement and customer experience. Please refer to the model's web page on **DreamLine.com** for the latest technical drawings, installation manuals, warranty information or additional product details.

MODEL #s

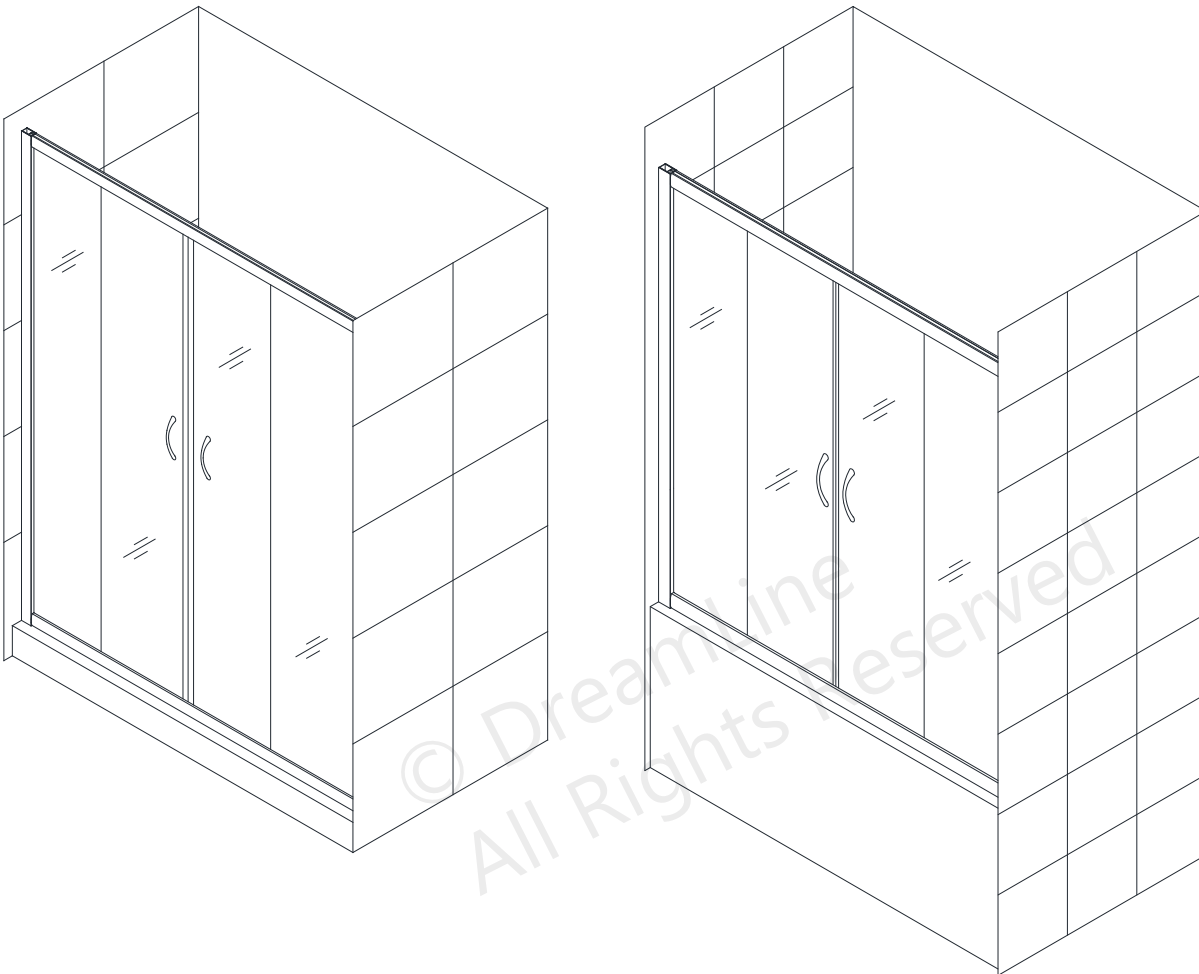
SHDR-1160586-##

SHDR-1160726-##

##=finish

01- Chrome

04- Brushed Nickel



PLEASE REVIEW THIS ENTIRE MANUAL PRIOR TO INSTALLATION



Questions?

Please Call **DreamLine** Customer Support: **1-855-831-2126**
Hours of Operation M-F 8AM - 7PM EST and Saturday 9AM - 5PM EST

Support@DreamLine.com



For more information about DreamLine[®] Shower Doors, Tub Doors & Enclosures, please visit **DreamLine.com**

Table of Contents

Section Title	Page #
Adjustable Wall Profile System	2
Preparation	3
Tools	4
Parts List	5-6
Installation Steps	7-15
Wheel Assemblies	12
Vinyl Seals	13
Product Maintenance	16

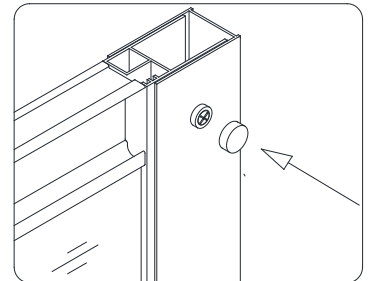
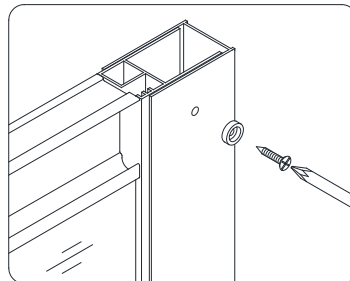
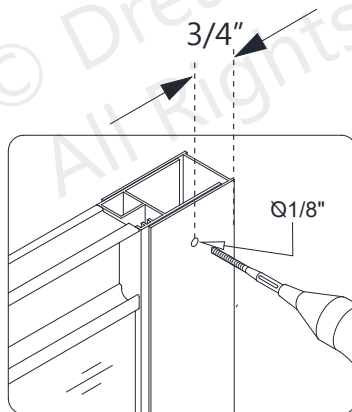
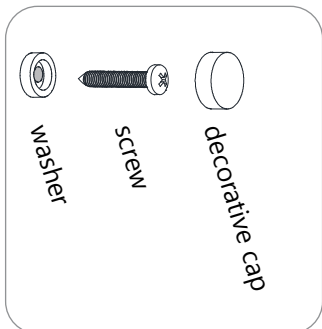
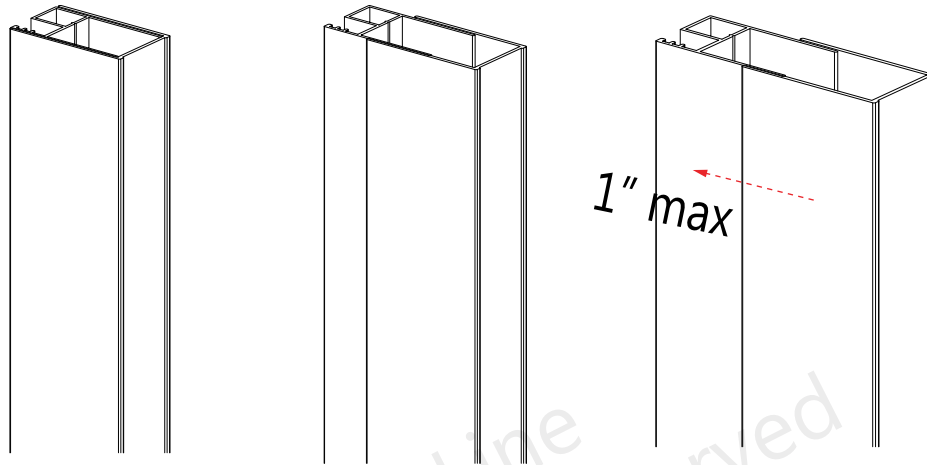
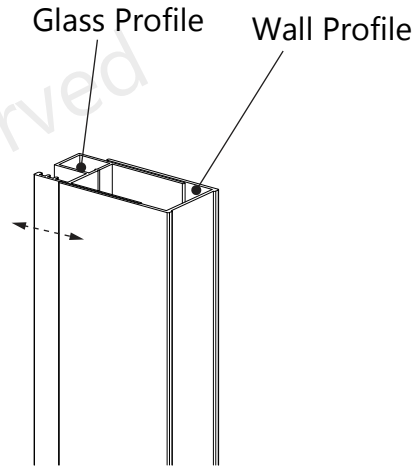


This product should be installed by someone familiar with the construction requirements for this type of project and the care necessary for the safe installation and operation of the product.

Adjustable Wall Profile System



The Glass Profiles can be adjusted within the Wall Profiles for overall width or to correct for out-of-plumb conditions within the model size. Screw them together after making final adjustments.



Preparation

1. Prior to installation, examine all boxes and packages for shipping damage and compare the piece count with the packing slip. After opening all boxes and packages read this introduction carefully. Check that all of the necessary parts are included in the package by checking off the components on the "Detailed Diagram of Shower Door Components". If the unit has been damaged, has a finishing defect, or has missing parts, please contact our customer support department within **3 business days** of the delivery date. **Please note that DreamLine® will not replace any damaged products or missing parts free of charge after 3 business days or if the product has been installed.** Contact DreamLine® if you have any questions, and please provide an order number, job name or other proof of purchase to help identify the original order.
2. **Please note that you should consult your local building codes with questions on installation compliance standards. Building and plumbing codes may vary by location, and DreamLine® is not responsible for code compliance standards for your project and will not accept any returns.**
3. If this unit is going to be installed in a new construction, please install all of the required plumbing and drainage before installing the shower. **Use a competent and licensed (if required by local code) plumber for all plumbing installation.**
4. Make sure that prior to beginning the installation, the surfaces are leveled and solid and will be able to support the total weight of the unit. Also make sure the walls are at right angles. Irregular installation surface level, radius corners or improper angle of side walls will result in serious problems for your installation. Note that some adjustments and drilling will be necessary during the installation process.
5. Protect all primary surfaces of the product during installation. Never set the glass down directly onto a tile floor. Leave corner protectors in place until necessary to remove them. Always use a piece of wood or cardboard to protect the bottom edge and corners of the glass prior to and during installation.
6. This unit must be installed upon a finished threshold and against finished walls.
7. This model has **1"** of adjustment per wall profile for out-of-plumb wall conditions and overall width within the model size. Confirm the finished opening conditions before proceeding with the installation.
8. This model requires a minimum of **1"** of flat level threshold space for installation.
9. **Professional installation recommended.**



This manual will show the installation of the shower door model. Follow the same steps for the installation of the tub door model.

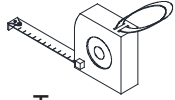


NOTE: DO NOT attach the handle to the door glass until instructed. DO NOT use the handle to lift the glass during installation. This may result in damage to the glass and/or serious injury. Always use an assistant or a professional grade glass suction cup when handling heavy glass.

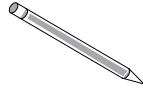
Tools



Level



Tape Measure



Pencil



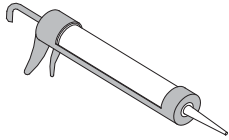
Phillips Screwdriver



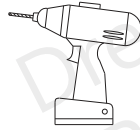
Drill bit
Ø5/16"
(8mm)



Drill bit
Ø1/8"
(3mm)



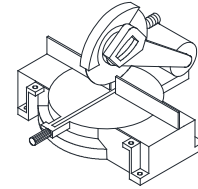
100% Silicone



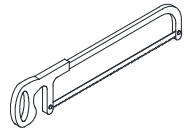
Power Drill



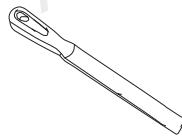
Hammer



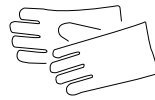
Miter saw or Hacksaw



Extender driver bit



Metal File



Work Gloves



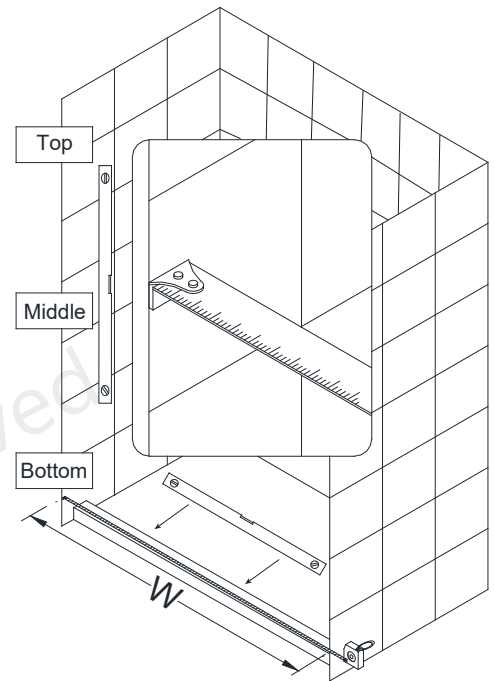
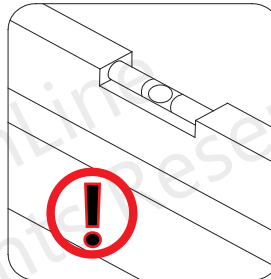
Safety glasses

Tip: Measure the finished opening before proceeding with the installation to be sure that the correct model size has been ordered.

Tip: Prior to installation, cover the shower/tub drain with tape to prevent losing screws or small parts.

Tip: Set screw gun clutch to low setting when installing screws and bolts to prevent stripping the heads.

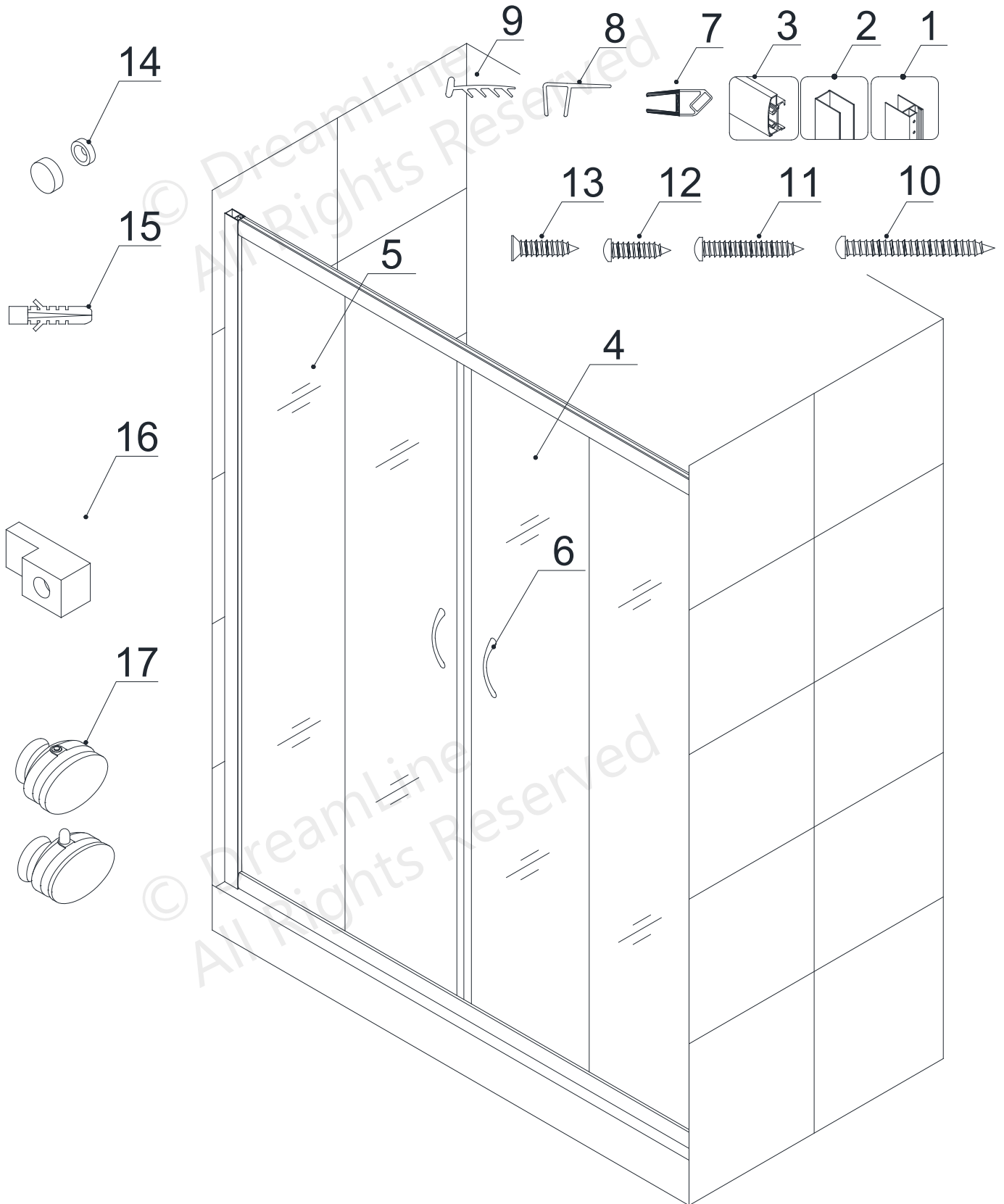
Threshold must be level



NOTE: Unpack your unit carefully and inspect it. Lay it out and identify all parts using the detailed diagram and packing list in this manual as a reference. Before discarding the carton, check for small hardware bags that may have fallen to the bottom of the box. If any parts are damaged or missing, please contact DreamLine® for replacement. The shipping boxes may contain extra parts not used in your model configuration.

NOTE: Retain these installation instructions for future reference.

Detailed Diagram of shower door components



© DreamLine
All Rights Reserved

Parts List

Item #	Description	Qty	Item #	Description	Qty
01	Glass Profile	2pcs	10	ST4.2×55 Pan Head Screw	8pcs
02	Wall Profile	2pcs	11	ST4.2×25 Pan Head Screw	8pcs
03	Guide Rail (top & bottom)	2pcs	12	ST4.2×10 Pan Head Screw	4pcs
04	Door Glass	2pcs	13	ST4.2×16 Countersunk Screw	4pcs
05	Panel Glass	2pcs	14	Decorative Cover with Washer	4pcs
06	Handle	2pairs	15	Wall Anchor	8pcs
07	Magnetic Vinyl Seal	1pair	16	Glass Holder	4pcs
08	Vertical Vinyl Seal (2 long, 2 short)	4pcs	17	Wheel Assembly (top & bottom)	4pairs
09	Side Strip Vinyl	2pcs			

© DreamLine
All Rights Reserved



All drawings in this manual are for illustrative purposes only and are not drawn to scale.

Installation Steps

1. Measure the distance between the two finished walls at the top (at model height: 58" or 72"), middle and bottom. The wall profiles will adjust for out-of-plumb conditions, so **use the smallest measurement as the "finished opening" (W)** dimension to determine the finished cut length in Step #2. (Fig 1)

NOTE: The **Top** and **Bottom Guide Rails (#03)** are shorter than the model size by design. They have been pre-cut for the model width and are made to fit between the wall profiles, (not wall-to-wall). See **Table A** below:

Table A

Model Size	Pre-cut Guide Rail Length
60" (for shower)	56-5/8"
60" (for tub)	56-5/8"

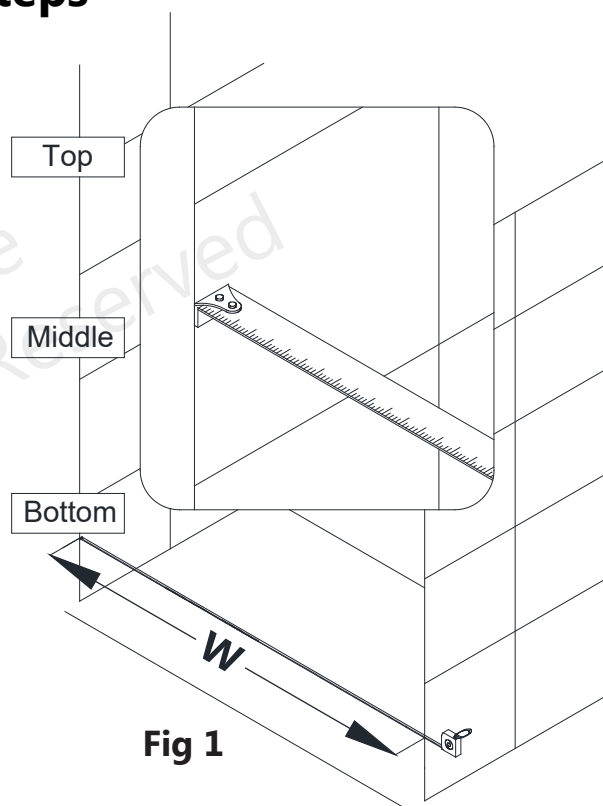


Fig 1

2. Subtract **3-3/8"** from your finished opening (**W**) to determine the finished cut length for the **Top and Bottom Guide Rails (#03)**. Cut the **Top and Bottom Guide Rails (#03)** equally from both ends to the finished cut length (**D**). (See **Table B** below.)

NOTE: In order to keep the pre-installed center stoppers centered, it is necessary to cut the **Top and Bottom Guide Rails (#03)** equally from both ends. (Fig 2)

Table B

$$\frac{\text{Finished Opening (W)}}{\text{Finished Opening (W)}} - 3\text{-}3/8" = \frac{\text{Finished Cut Size (D)}}{\text{Finished Cut Size (D)}}$$

$$\frac{(56\text{-}5/8")}{\text{Pre-Cut Rail Length (from Table A)}} - \frac{\text{Finished Cut Size (D)}}{\text{Finished Cut Size (D)}} = \frac{\text{Difference}}{\text{Difference}}$$

$$\frac{\text{Difference}}{\text{Difference}} \div 2 = \frac{\text{Amount To Cut From Each End (EQ)}}{\text{Amount To Cut From Each End (EQ)}}$$

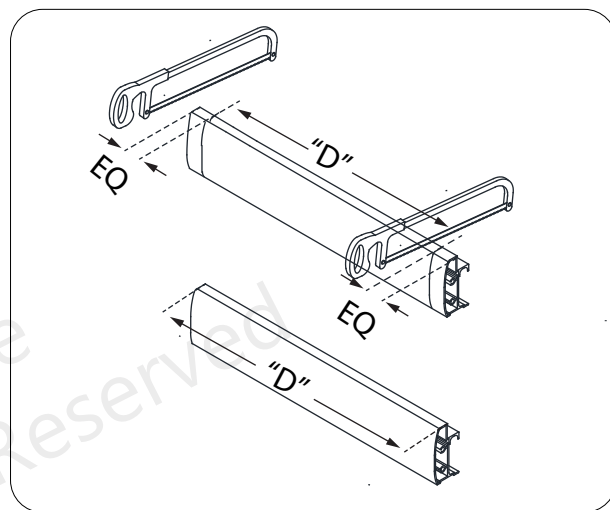


Fig 2

Use a metal file to clean up the cut ends of the rails



TIP: For easier installation into the opening, cut off an extra 1/8" from each end:
FINISHED OPENING (W) - 3-5/8" = FINISHED CUT LENGTH "D"

3. After the **Top** and **Bottom Guide Rails (#03)** have been cut to size, re-install the roller stoppers on both of the **Top** and **Bottom Guide Rails (#03)**. **Note: It is important that these roller stoppers are installed at the correct locations.**

Remove the existing stopper. Mark the drilling hole at a distance of **2"** from the end of the **Top** and **Bottom Guide Rails (#03)**.
 Drill a new hole using an **Ø1/8"** drill bit; then re-secure the stopper with the screw. **(Fig 3)**

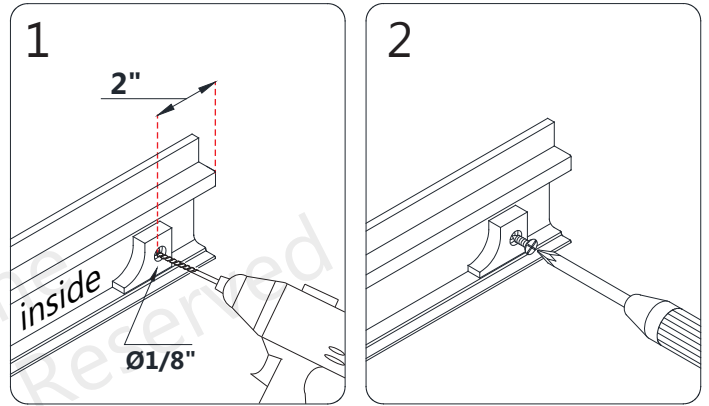


Fig 3
 (Bottom Guide Rail shown)



ATTENTION: Do Not drill the **Guide Rail (#03)** throughout, **only** through the **first** layer.

4. Secure the **Bottom Guide Rail (#03)** and **Top Guide Rail (#03)** to the **Glass Profiles (#01)** with the **ST4.2×25 Pan Head Screws (#11)**. **(Fig 4)**



TIP: For ease of assembly, add some liquid soap, wax or lubricant to the screws prior to attaching the glass profiles to the guide rails. Use a low setting on the power drill to prevent stripping the screws.

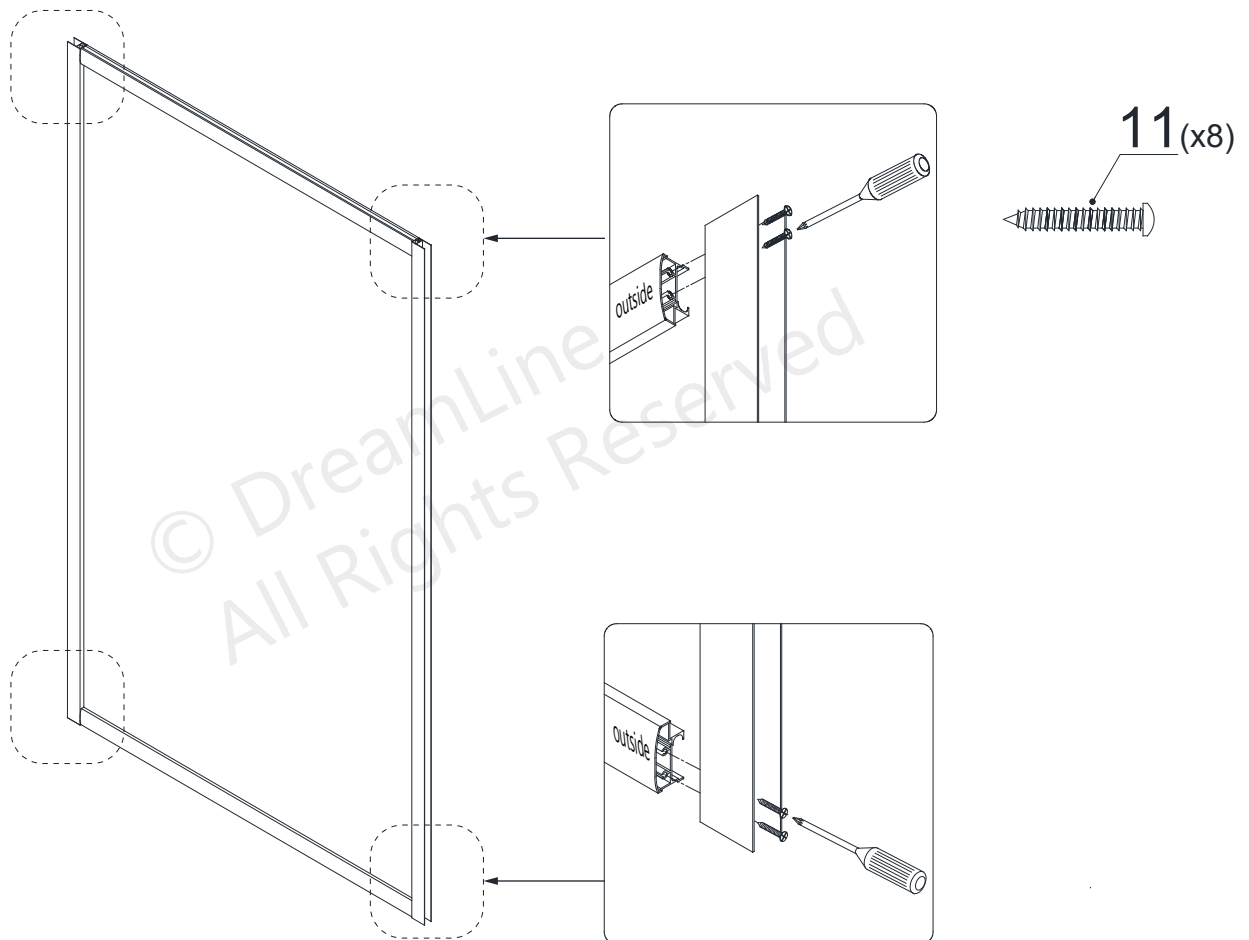


Fig 4

5. Slide the **Wall Profiles (#02)** all the way onto the **Glass Profiles (#01)** on both sides. (Fig 5)



NOTE: The holes in the **Wall Profiles (#02)** are off-center and should align with the holes in the glass profiles and the groove for the panel glass. (Fig 5.1)

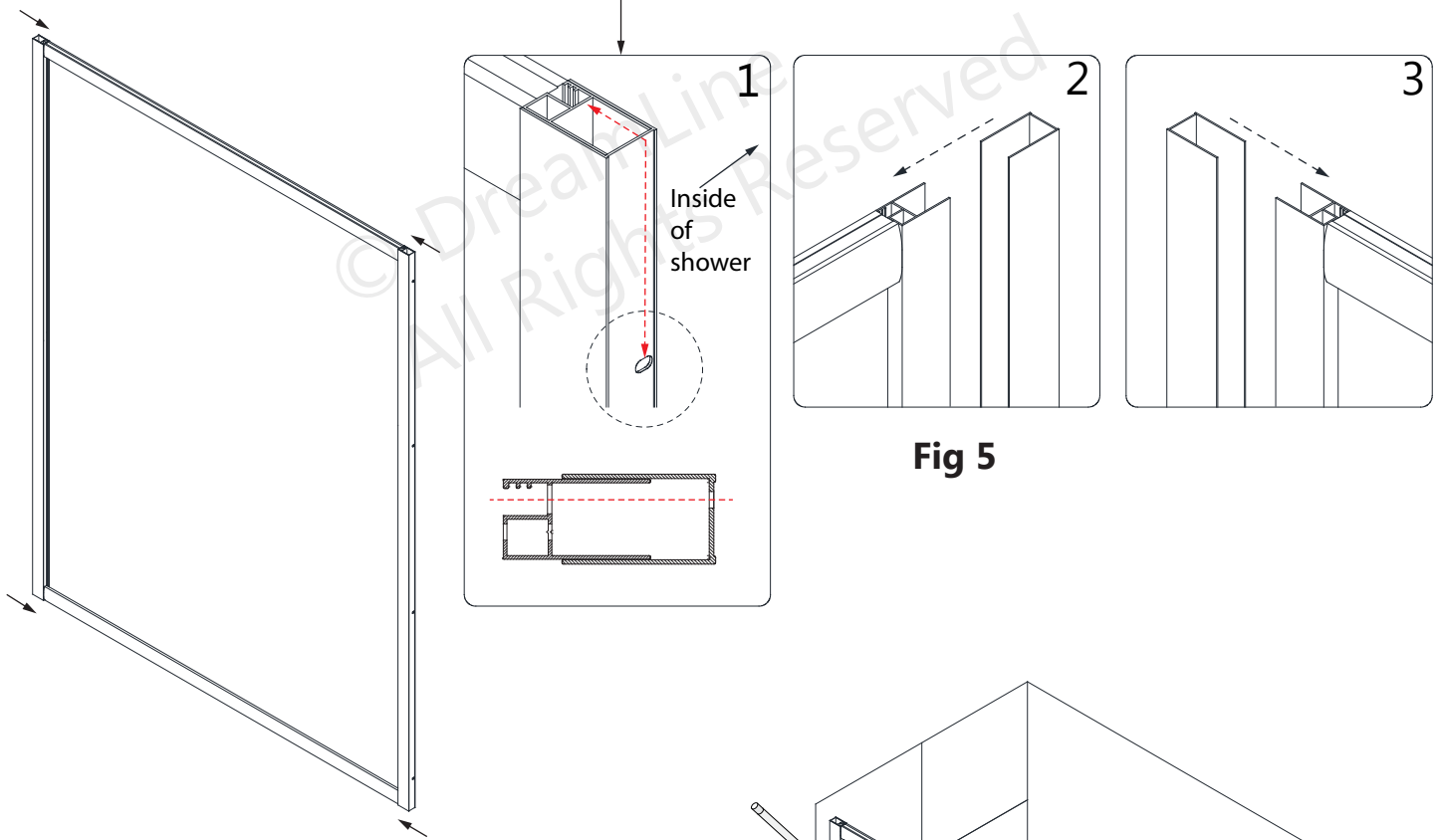


Fig 5

6. Move the assembled frame into position on the threshold, and push the **Wall Profiles (#02)** tight to the walls to compensate for any out-of-plumb conditions. Push the bottom rail down tight to the threshold and adjust the frame to a vertical position. Confirm with a level before marking the position of the wall profiles and the holes for drilling. (Fig 6)

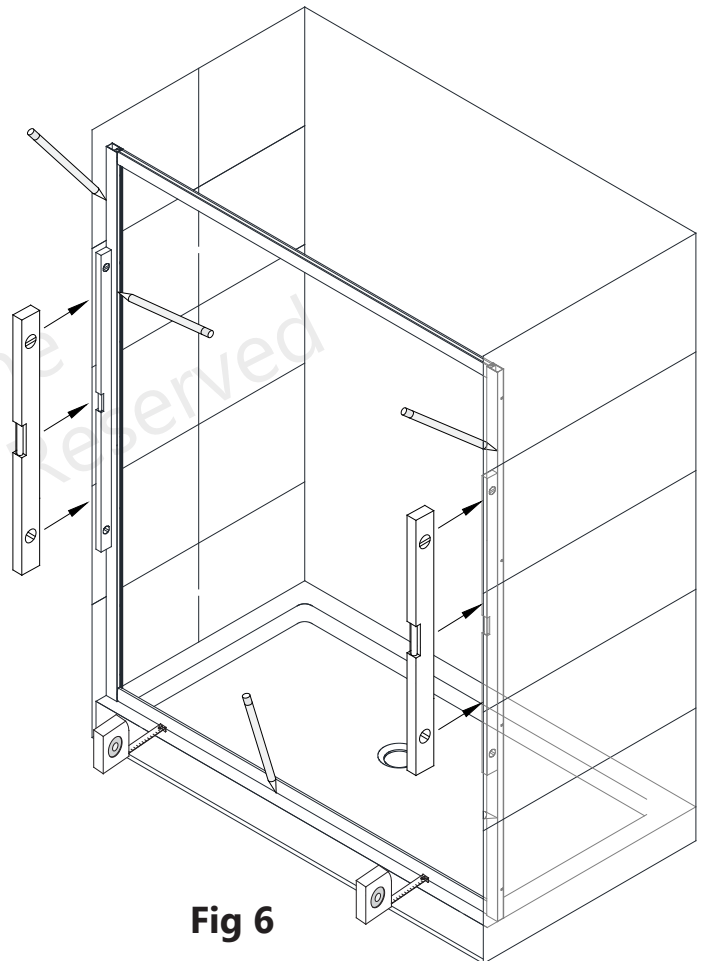


Fig 6

7. Use an assistant to hold the assembly in position and mark the holes for drilling on the wall through the holes in the **Glass Profiles (#01)** and the **Wall Profiles (#02)**. Set the assembled unit aside. Drill the holes using a **Ø5/16"** drill bit and insert the **Wall Anchors (#15)**. **(Fig 7)**

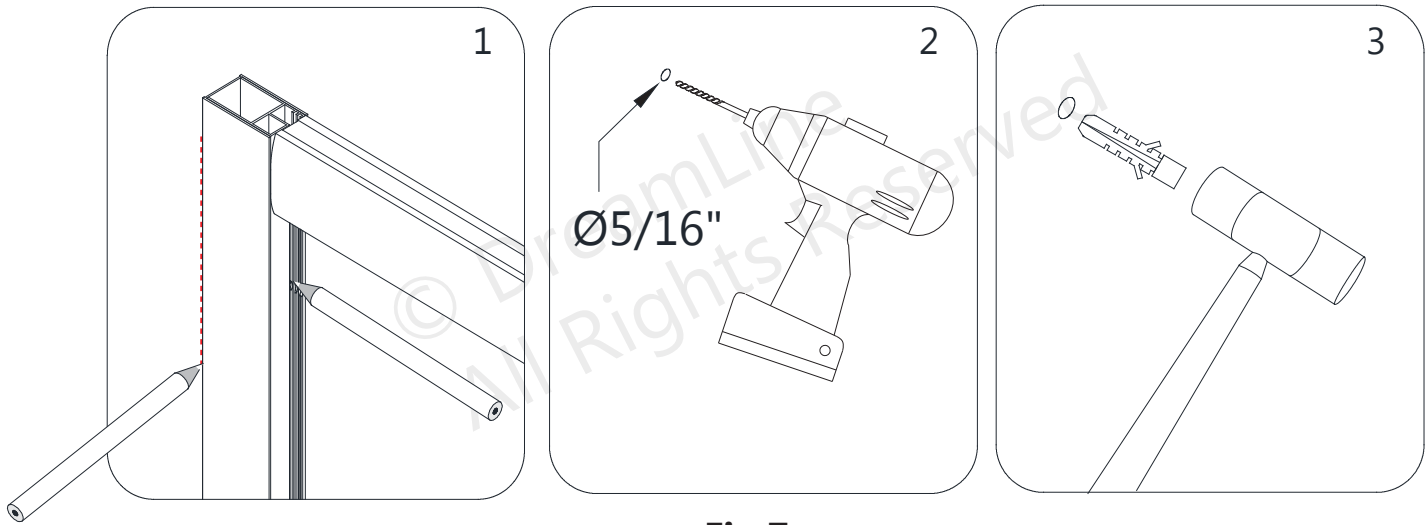


Fig 7

8. Apply silicone caulk to the rear surface of the **Wall Profiles (#02)**, the underside of the **Bottom Guide Rail (#03)**, and around the drilled holes in the wall. Place the entire shower assembly back into the designated position and secure it to the walls using the **ST4.2×55 Pan Head Screws (#10)**. The screws will pass through the larger holes in the **Glass Profile (#01)** and secure the **Wall Profiles (#02)** to each wall. **(Fig 8)**

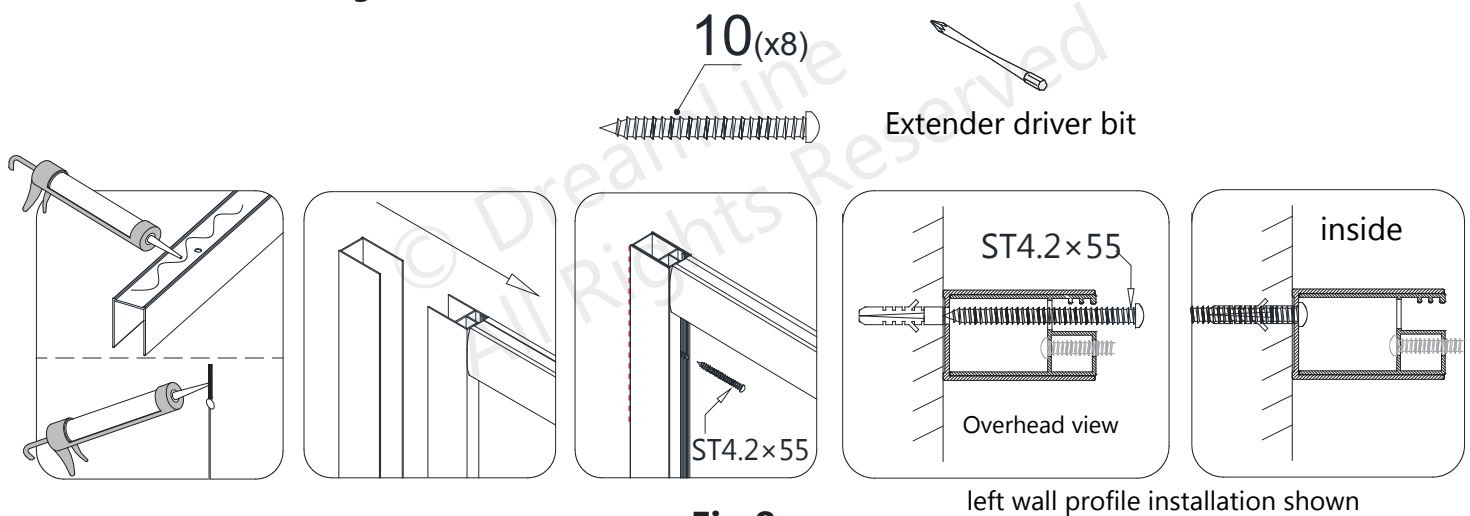


Fig 8



NOTE: Use steady, even pressure when installing the screws to prevent stripping the screw heads!

9. It is necessary to drill new $\text{Ø}1/8''$ holes into the **Guide Rails (#03)** to attach the **Glass Holders (#16)**. Slide both lites of **Panel Glass (#05)** all the way into the grooves of the **Glass Profiles (#01)** on both sides. Hold the **Glass Holders (#16)** in place and mark the new holes with a pencil or a drill bit. Remove the **Panel Glass (#05)** to prevent damage prior to drilling into the **Guide Rails (#03)**. Drill $\text{Ø}1/8''$ holes into the **Guide Rails (#03)**. Reinstall the **Panel Glass (#05)** and attach the **Glass Holders (#16)** to the **Guide Rails (#03)** using the **ST4.2×16 Countersunk Screws (#13)**. (Fig 9)

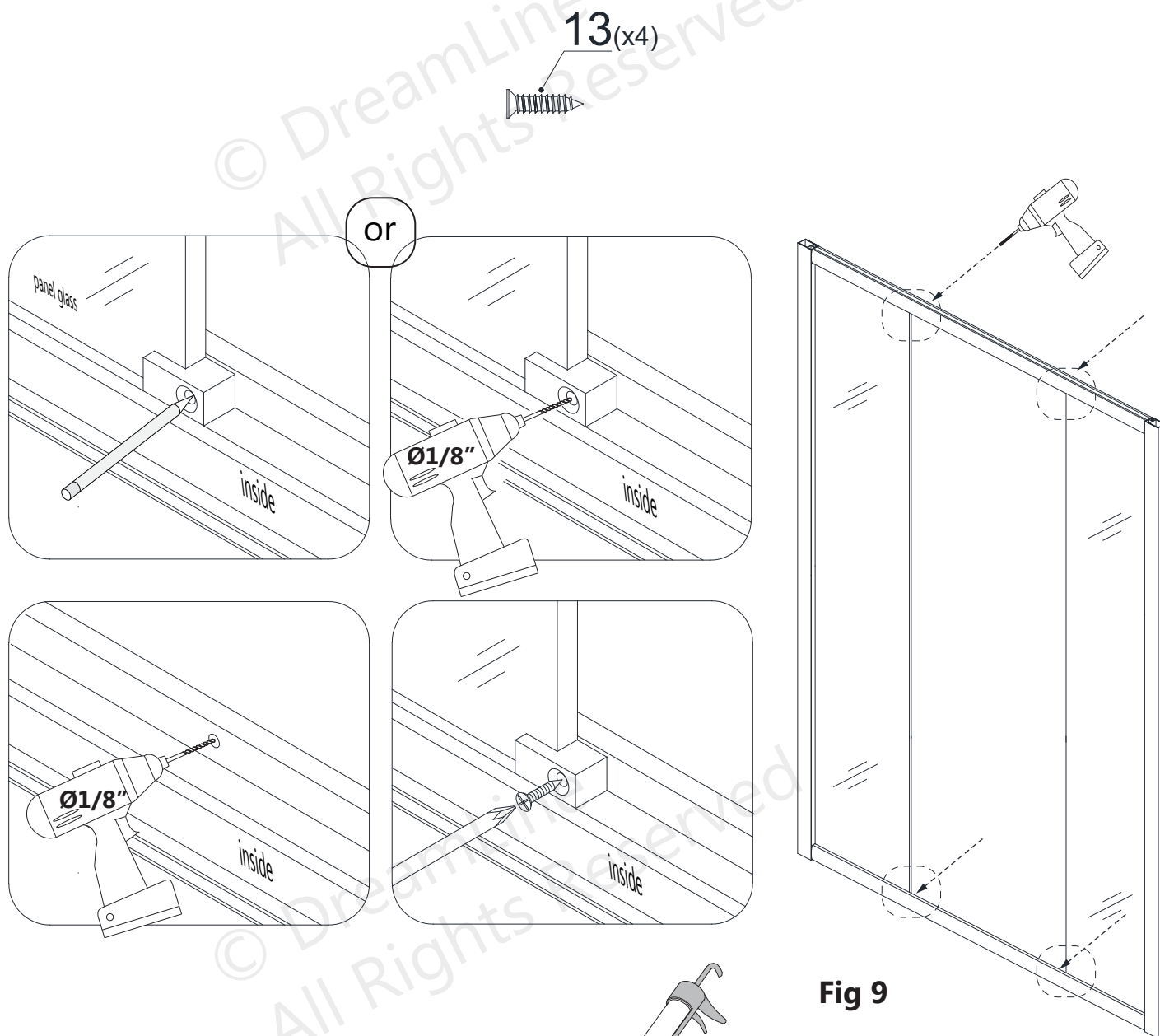
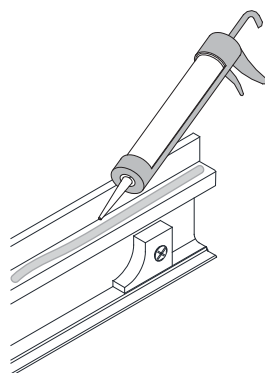


Fig 9



Tip: Apply a thin bead of silicone onto the bottom rail where the panel glass sits prior to the final installation of the panel glass.



10. From the inside of the shower, install the **Side Strip Vinyl (#09)** in-between the **Panel Glass (#05)** and the **Glass Profiles (#01)**. Start from the bottom and do not stretch the vinyl. **(Fig 10)**



ATTENTION: To prevent scratching or damaging the glass and aluminium, Do Not use a screwdriver or other metal objects to install the **Side Strip Vinyl (#09)**.

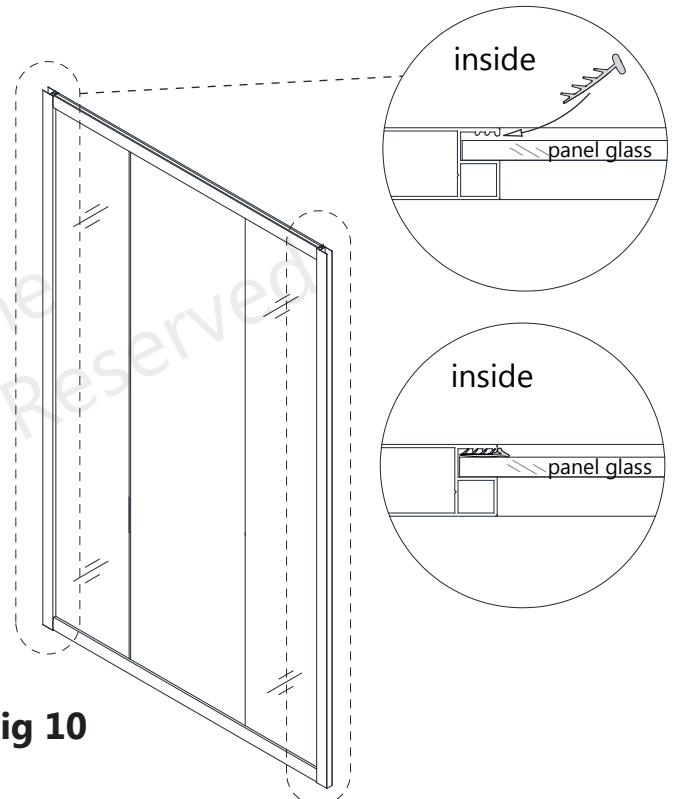


Fig 10

11. Fasten the **Top and Bottom Wheel Assemblies (#17)** to the **Door Glass (#04)** with the wheels facing the outside of the shower. The top wheels can adjust the door level with the adjustment bolt and lock nut. The bottom wheel has a press button to fix the wheel into the bottom **Guide Rail (#03)**. **(Fig 11)**



NOTE: The **lock nut** of the **Top Wheel Assembly (#17)** and the **press button** of the **Bottom Wheel Assembly (#17)** should be **pointing up**. **(Fig 11)**

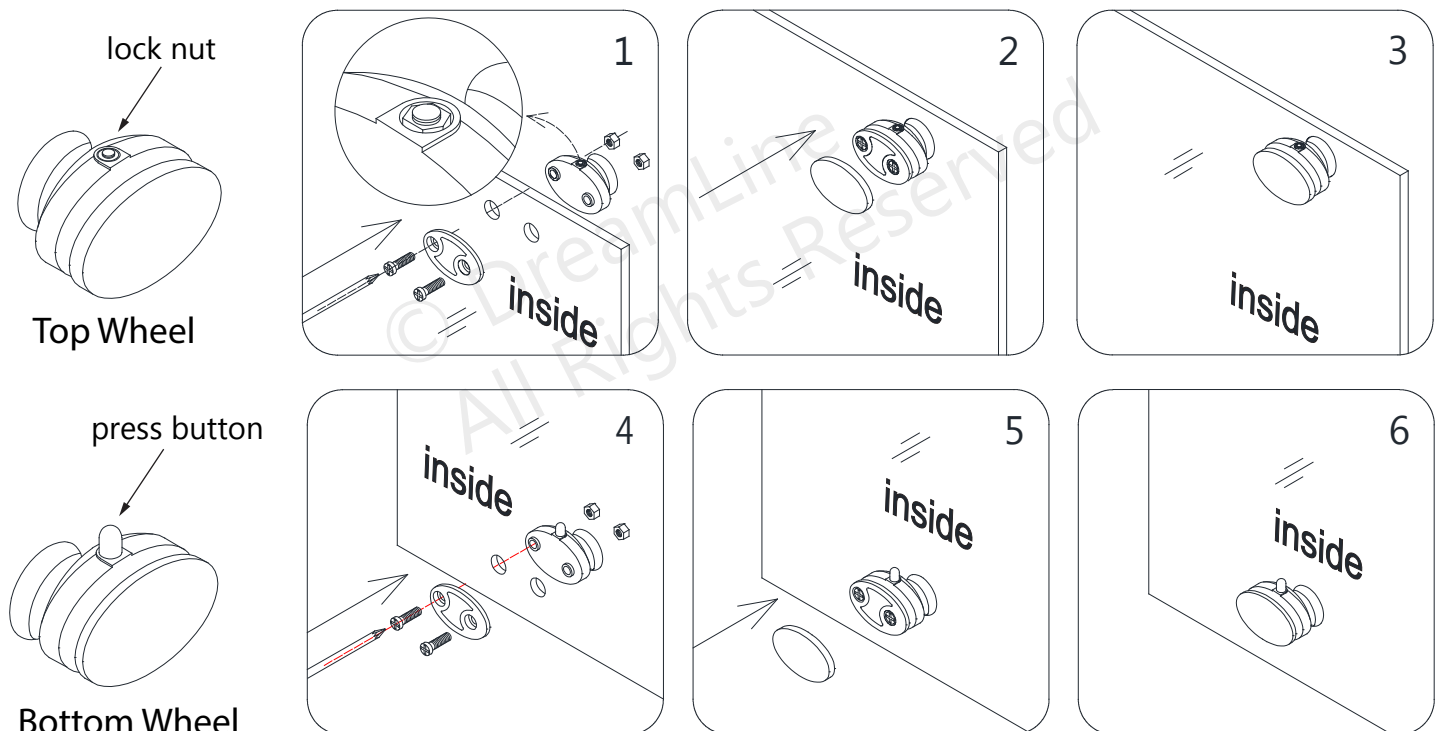


Fig 11



NOTE: DO NOT attach the handle to the door glass until instructed. DO NOT use the handle to lift the glass during installation. This may result in damage to the glass and/or serious injury. Always use an assistant or a professional grade glass suction cup when handling heavy glass.

12. From inside the shower, insert the **Bottom Wheel Assemblies (#17)** into the bottom **Guide Rail (#03)** (Fig 12.1-2), lift the door up and set the **Top Wheel Assemblies (#17)** into the top **Guide Rail (#03)** (Fig 12.3). Test the operation of the door, and if necessary, use a #2 Phillips screwdriver (do not use a power screwdriver) to adjust the upper wheels so the door rolls smoothly and closes tight. **(Fig 12)**

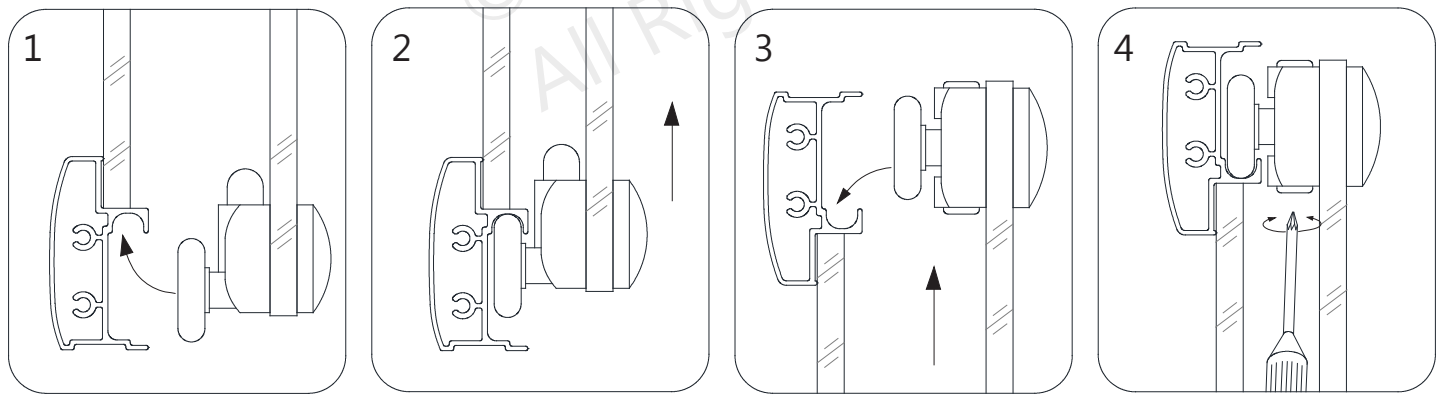


Fig 12

*Adjust the top wheel assemblies if necessary



ATTENTION: Use caution not to close the door glass together during installation.

13. Install the **Handles (#06)** to the **Door Glass (#04)**.

Press the shorter **Vertical Vinyl Seals (#08)** onto the vertical edges of the **Panel Glass (#05)** and the longer **Vertical Vinyl Seals (#08)** onto the vertical edges of the **Door Glass (#04)**.

Press the **Magnetic Vinyl Seals (#07)** onto the vertical edges of both **Door Glass (#04)**. **(Fig 13)**

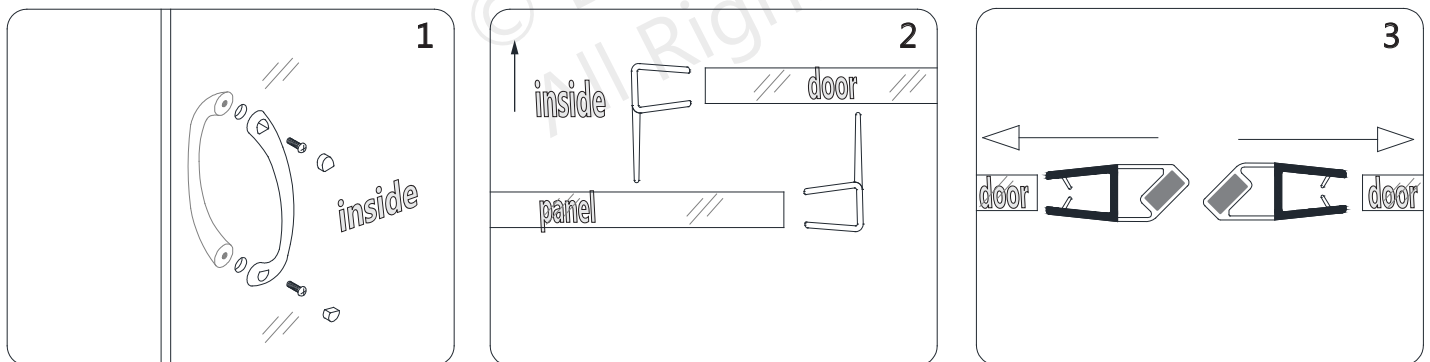
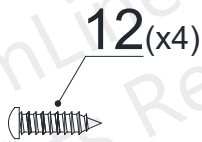


Fig 13

14. Perform the final adjustments of the assembled unit within the **Wall Profiles (#02)**. **Make sure the Bottom Guide Rail (#03) is tight to the threshold.** Drill $\text{\O}1/8''$ holes into the center of the **Wall Profile (#02)** and into the **Glass Profile (#01)**. Drill one hole at the top and one hole at the bottom of each profile (approx $3/4''$ from the wall) .

Secure the **Wall Profiles (#02)** to the **Glass Profiles (#01)** using the **Washers (#14)** and **ST4.2x10 Pan Head Screws (#12)**. Cover the exposed screw heads with the **Decorative Covers (#14)**. (Fig 14)



ATTENTION: Do Not drill the profiles throughout, only through the first layer of the wall profile and glass profile.

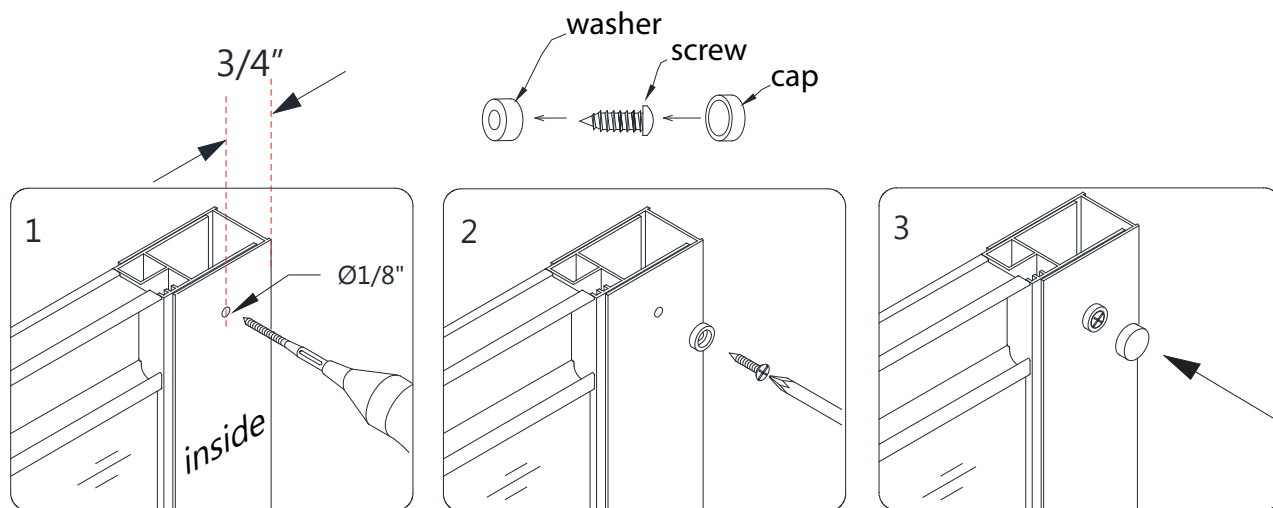


Fig 14

15. Apply a good quality mildew-resistant silicone along the interior perimeter of the wall profiles and bottom guide rail along the walls and threshold. **(Fig 15)**



NOTE: The surfaces need to be clean and free of debris before applying silicone.

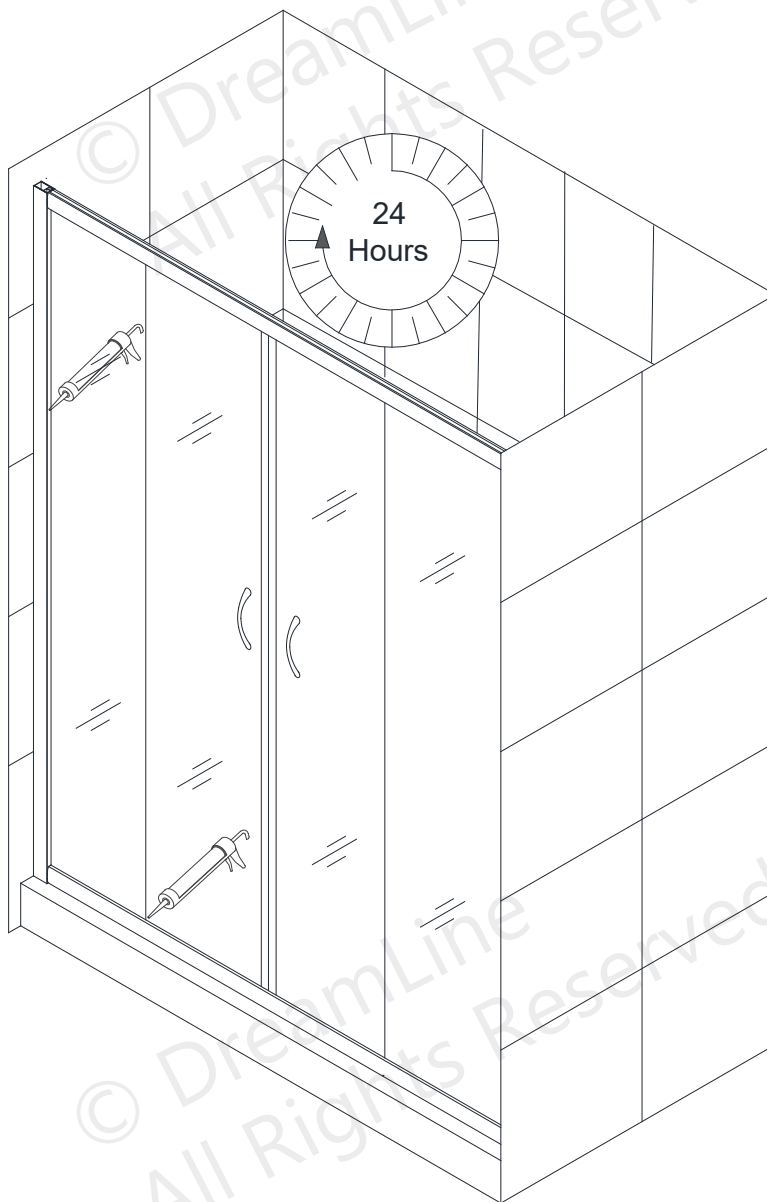


Fig 15



ATTENTION: Allow 24 hours for the silicone to cure before using the shower.

Product Maintenance

BASES and BACKWALLS: To ensure long-lasting life for your acrylic back walls, wipe them off after each use with a soft cloth. To clean the acrylic back walls use non-abrasive sprays or cream based cleaners. Avoid the use of aerosol spray cleaners. Never use abrasive cleansers, metal brushes or scrapers that could scratch or dull the surface.

GLASS: To ensure long-lasting life for your glass shower products, wipe them off after each use with a soft cloth. Rinse and wipe off the glass using either a soft cloth or a squeegee to prevent soap buildup and water spots (Hard water can etch the surface of the glass over time if left to dry). To prevent scratching the surface: never use abrasive cleaners or cleaning products that contain scouring agents. Never use bristle brushes or abrasive sponges that may scratch the surface.

HARDWARE: To ensure a long-lasting finish, wipe off the metal parts after each use with a soft cloth. Do not use abrasive cleaners or cleaning products containing ammonia, bleach or acid. If accidentally used, rinse the surface as soon as possible to prevent damage to the finish (peeling or corrosion). After cleaning the polished finishes, rinse thoroughly and wipe dry with a soft cloth.

Clean stainless steel surfaces at least once a week. When applying stainless steel cleaner or polish to stainless steel hardware, work with (not across) the grain. Never use an abrasive sponge or cloth, steel wool or wired brush as these may permanently scratch the surfaces.

NOTE: To maximize the life of your door, it is important to regularly inspect the glass and all hardware for misalignment, proper attachment, and/or damage. Contact DreamLine® with any questions or concerns.

DreamLine® shower doors and enclosures are designed not to leak when installed properly and the flow of water is not pointed directly at the vinyl seals.

© DreamLine
All Rights Reserved

© DreamLine
All Rights Reserved



© DreamLine
All Rights Reserved

TEL: 866-731-2244
FAX: 866-857-3638
DREAMLINE.COM

For more information on DreamLine[®] Shower Doors and Enclosures please visit **DreamLine.com**