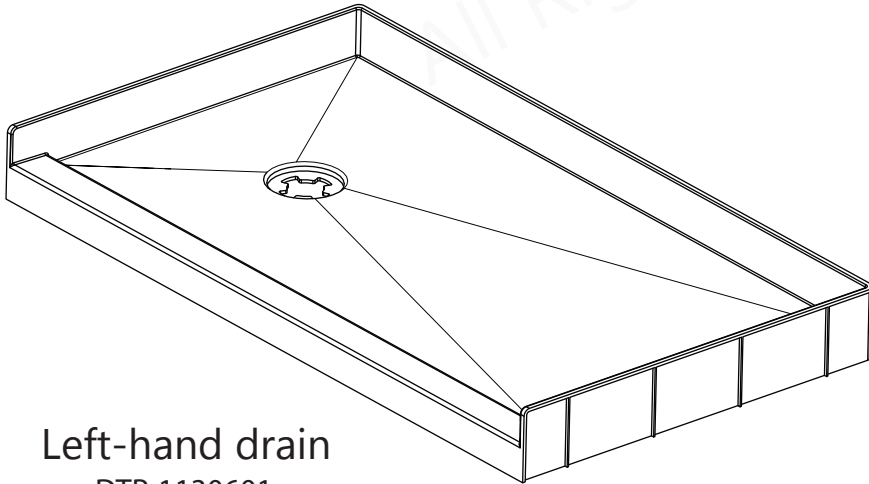


# TILEPRIME™

## SHOWER BASE INSTALLATION INSTRUCTIONS

PLEASE REVIEW THIS ENTIRE MANUAL PRIOR TO INSTALLATION

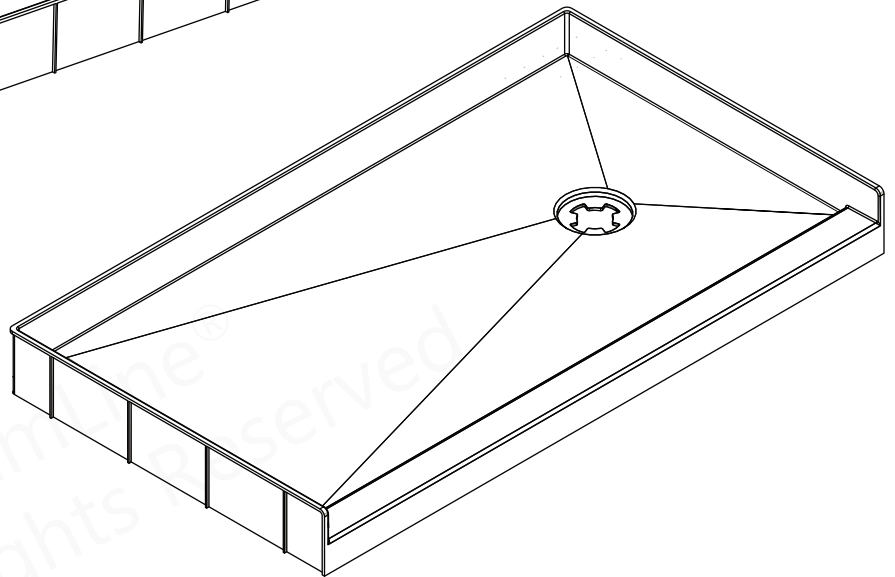


Left-hand drain

DTP-1130601  
DTP-1132601  
DTP-1134601  
DTP-1136601

Right-hand drain

DTP-1130602  
DTP-1132602  
DTP-1134602  
DTP-1136602



### IMPORTANT!

DreamLine® reserves the right to alter, modify or redesign products at any time without prior notice for the purpose of product improvement and customer experience. Please refer to the model's web page on **DreamLine.com** for the latest technical drawings, installation manuals, warranty information or additional product details.

**Do Not Return Product to the Store. Contact DreamLine® with any questions**

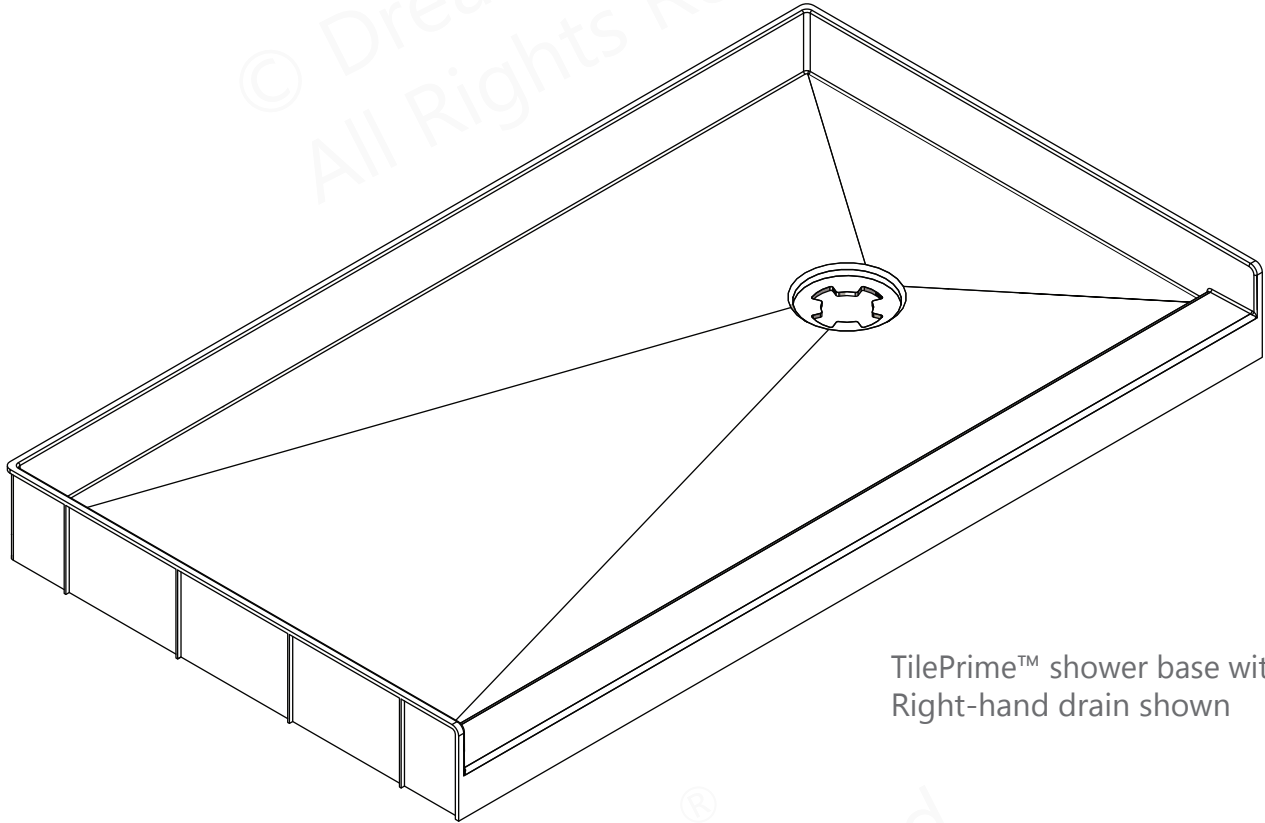


### Questions?

Please Call **DreamLine** Customer Support: **1-866-731-2244**  
Hours of Operation M-F 8AM - 6PM EST

**Support@DreamLine.com**





TilePrime™ shower base with Right-hand drain shown



**Important:** Always store the TilePrime™ shower base flat and away from direct sunlight or any other heat source. Acclimate the base to room temperature 24 hours prior to installation.

Record the following purchase information for your records or in the event you need to contact DreamLine®:

Purchase Order Number \_\_\_\_\_

Store/Vendor Purchased From \_\_\_\_\_

Installation Date \_\_\_\_\_

OD Number (optional) \_\_\_\_\_  
\*found on the shipping box or label if available.

Installed By: \_\_\_\_\_

SKU Number \_\_\_\_\_

# Table of Contents

Section Title	Page #
Important Product Information	2
Model Specific Preparation	3
Tools	4
Detailed Diagram of Tile Prime™ Base	5
Parts List	6
Installation Instructions	7-20
Base and Drain Assembly Diagram	10
Drain Installation Scenario One of Two: No Access Under Shower	11-12
Drain Installation Scenario Two of Two: When Access Exists Beneath The Shower	13-14



## Symbol Legend

**TIP** - for ease of installation.

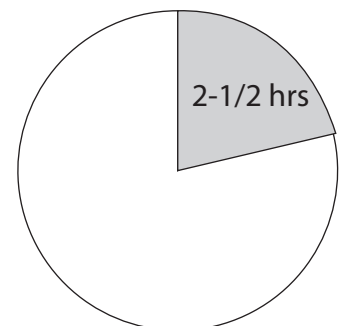
**NOTE** - take note of special feature; additional information.

**REQUIRED** - requires special attention; signifies a warning.

**CORRECT** - recommended.

**INCORRECT** - not recommended.

Average Installation Time





## WARNING DISCLOSURE STATEMENT

### IMPORTANT

- DreamLine® reserves the right to alter, modify or redesign products any time without prior notice for product improvement and customer experience. Please refer to the model's web page on DreamLine.com for the latest technical drawings, installation manuals, warranty information or additional product details.
- This product should be installed by someone familiar with the construction requirements for this type of project and the care necessary for the safe installation and operation of the product.
- The safety of any installation is the responsibility of the installer.
- Professional installation required.
- All drawings in this installation manual are for illustrative purposes only and are not drawn to scale.

### GENERAL PREPARATION

- After opening all boxes and packages, read this introduction carefully. Check that all the items are included in the package by marking off the components on the "Detailed Diagram of Product Components" page. Examine all boxes and packages for shipping damage. If the unit has been damaged, has a finishing defect, or is missing parts; please contact our Customer Support department within 3 business days of the delivery date. Please note that DreamLine® will not replace any damaged products or missing parts free of charge after 3 business days or if the product has been installed. Please contact DreamLine® if you have any questions.
- Please note that you should refer to your local building codes with questions on installation compliance standards. Building and plumbing codes may vary by location, and DreamLine® is not responsible for code compliance standards for your project and will not accept any returns.
- If this unit is going to be installed in a new construction, install all the required plumbing and drainage before installing the shower. Use a competent and licensed (if required by local code) plumber for all plumbing installation.

- Make sure that prior to beginning the installation, the surfaces are leveled and solid and will be able to support the total weight of the unit. Also make sure the walls are at right angles. Irregular installation surface level or improper angle of side walls will result in serious problems for your installation. Please note that some adjustments and drilling may be necessary during the installation process.
- Protect all primary surfaces of the product during installation. Always use a piece of wood or cardboard to protect the bottom edge and corners of the product prior to installation.

### WARNING: TO AVOID THE RISK OF DAMAGE OR INJURY:

- Follow all recommendations and requirements as shown in the installation manual.
- **WARNING:** Follow all instructions regarding the application of silicone sealant or caulk. Allow 24 hours for the sealant to cure before the initial use of the product. Follow the silicone manufacturer's recommendations regarding the use of their product. Thoroughly read these instructions before installing or using this product.
- Leave this manual for the end user of the product.




This product should be installed by someone familiar with the construction requirements for this type of product and the care necessary for the safe installation and operation of the product.


## Model Specific Preparation


1. A shower drain is NOT included and must be purchased locally. The TilePrime™ shower base accepts a 3-piece Tile-In shower drain, which can be adjusted for the height of the tile installed on the base. The drain should be installed by a professional to prevent leaks and damage.


2. TilePrime™ shower bases are available with left-hand or right-hand drain openings. Determine the drain position before ordering a base and before installing a drain. Check the position of any floor joists to avoid conflict with the drain position. Store the base indoors and out of direct sunlight. Store the base flat and right-side up in the box until ready to install. Acclimate the base to room temperature at least 24 hours before installation.

3. When constructing or installing a shower base, consider how the thickness of the wall treatments (backer board, adhesive, tile etc.) will affect the finished opening size for a shower door installation. Order a shower door based on the actual finished opening dimensions (after the finished walls are installed). Compare the overall dimensions of the shower door model with the finished opening size before proceeding with the installation.


 4. Glues for different types of pipe are **not** interchangeable. When adhering drain parts together, be sure to have the correct primer (if needed) and cement for PVC or ABS pipe. Always consult the drain manufacturer's specifications or consult a professional.


 5. The TilePrime™ Shower Base must be set into a bed of mortar after dry fitting, then shimmed (if necessary) and leveled. Use only Type S mortar or Thinset for the mortar bed. The mix should be stiff. Do Not use concrete or any mixture that contains stones, which will make it difficult to properly set and level the base.


 6. The 1/2" Z-molding is **not included** with your base and is available for purchase at most home goods stores. The 1/2" Z-molding needs to be installed for waterproofing where the backer board meets the Tile Prime™ shower base. Failure to install may cause leaking.

 7. To provide a solid substrate beneath the base, 1/2" backer board or cement board must be used. This should be cut and installed over the subfloor, not in place of the subfloor.

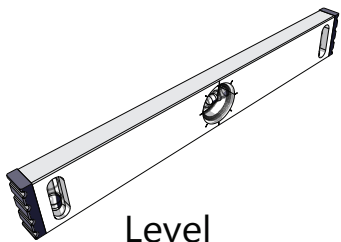
8. The use of pea gravel to cover the Clamping Ring under the Drain Barrel is optional. Using Pea gravel will allow any water that may get past the tile and grout to access the weep holes in the Clamping Ring and allow the water to drain. **Do Not** cover the Clamping Ring with Thinset. This will disable the weep holes and prevent proper drainage.

 9. Small 2"x 2" or 2"x 4" tiles are recommended for use with the Tile Prime™ shower base. The pitched slope nearest the drain may cause voids under larger tiles, leading to cracking of grout and/or tile.

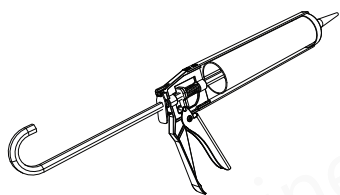
 **Important:** Always store the TilePrime™ shower base flat and away from direct sunlight or any other heat source. Acclimate the base to room temperature 24 hours prior to installation.

 If also installing a DreamLine shower door, be sure to measure the **finished opening**, after tile or other finished wall surface has been completely installed.

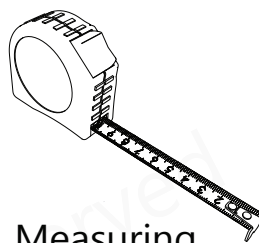
# Tools



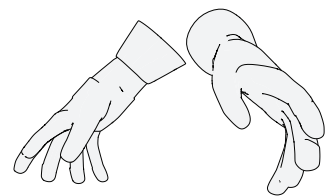
Level



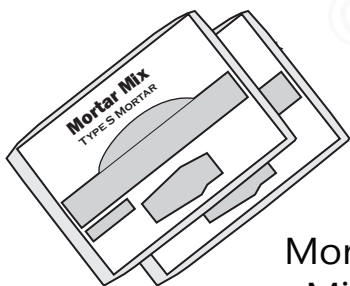
Caulk gun and Silicone



Measuring Tape

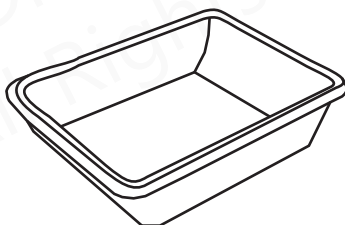


Work Gloves

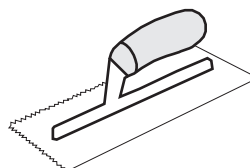


Mortar Mix

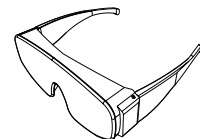
(1-2 bags of Thinset or Type S mortar recommended)



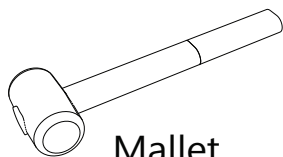
Mixing Tub



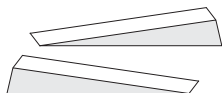
1/8" Notched Trowel



Safety Glasses



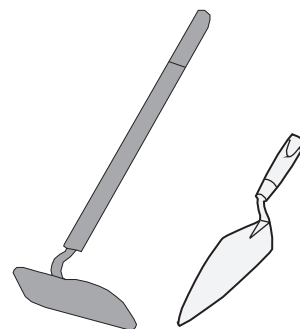
Mallet



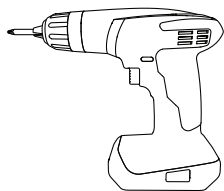
Plastic Shims



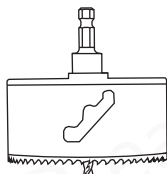
PVC primer and cement or ABS cement



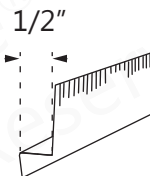
Hoe or trowel for Mixing mortar



Power Drill



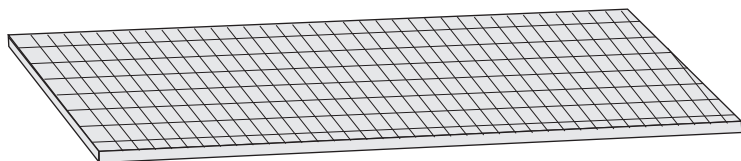
6" hole saw



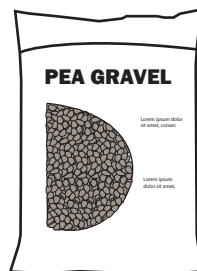
10' of 1/2" galvanized standard Profile Z-Bar  
**(Sold Separately)**



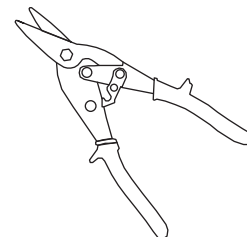
Galvanized Nails  
**(Sold Separately)**



1/2" cement board or backer board



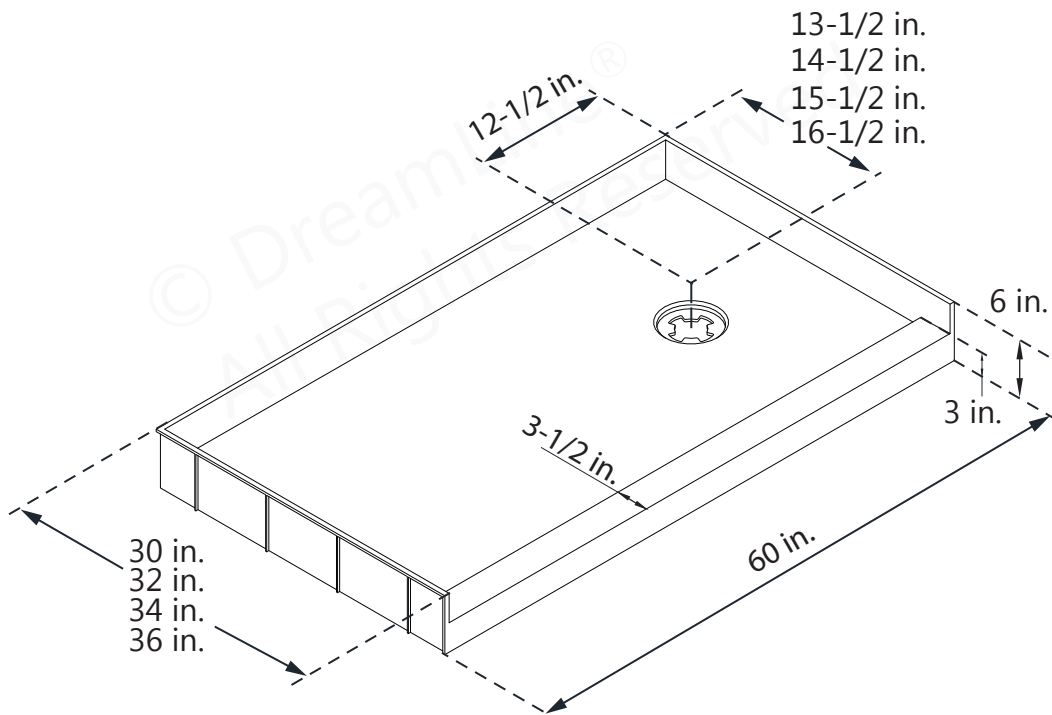
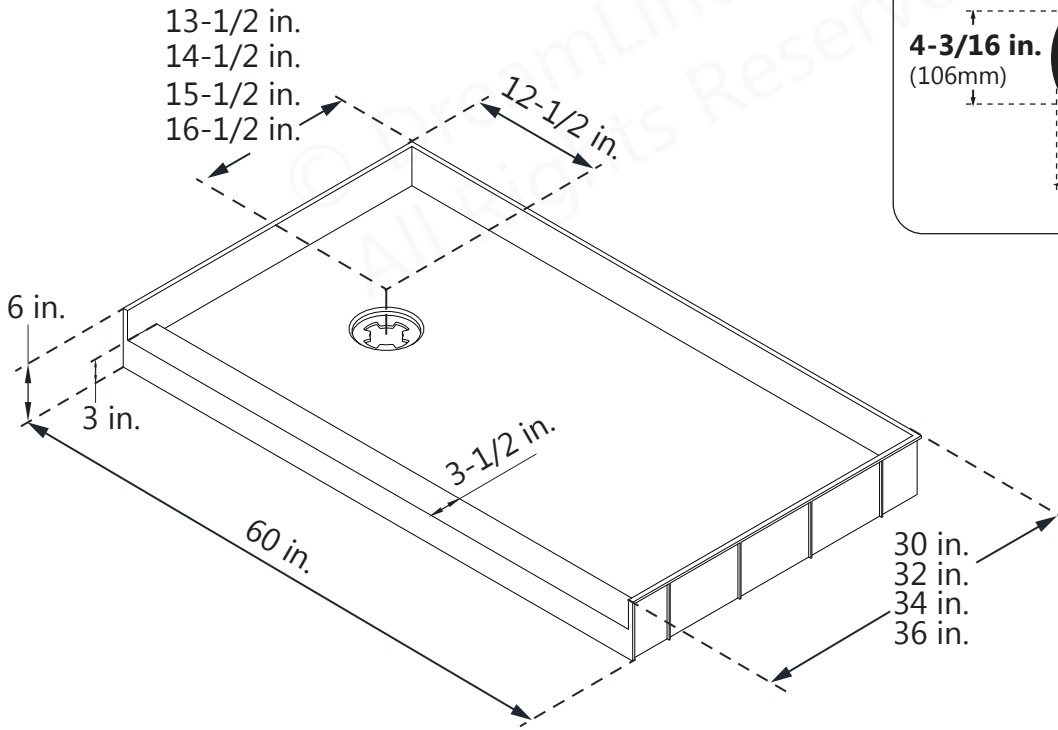
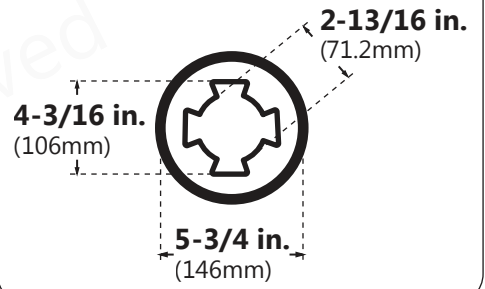
Pea Gravel  
**(Optional)**



Metal Snips

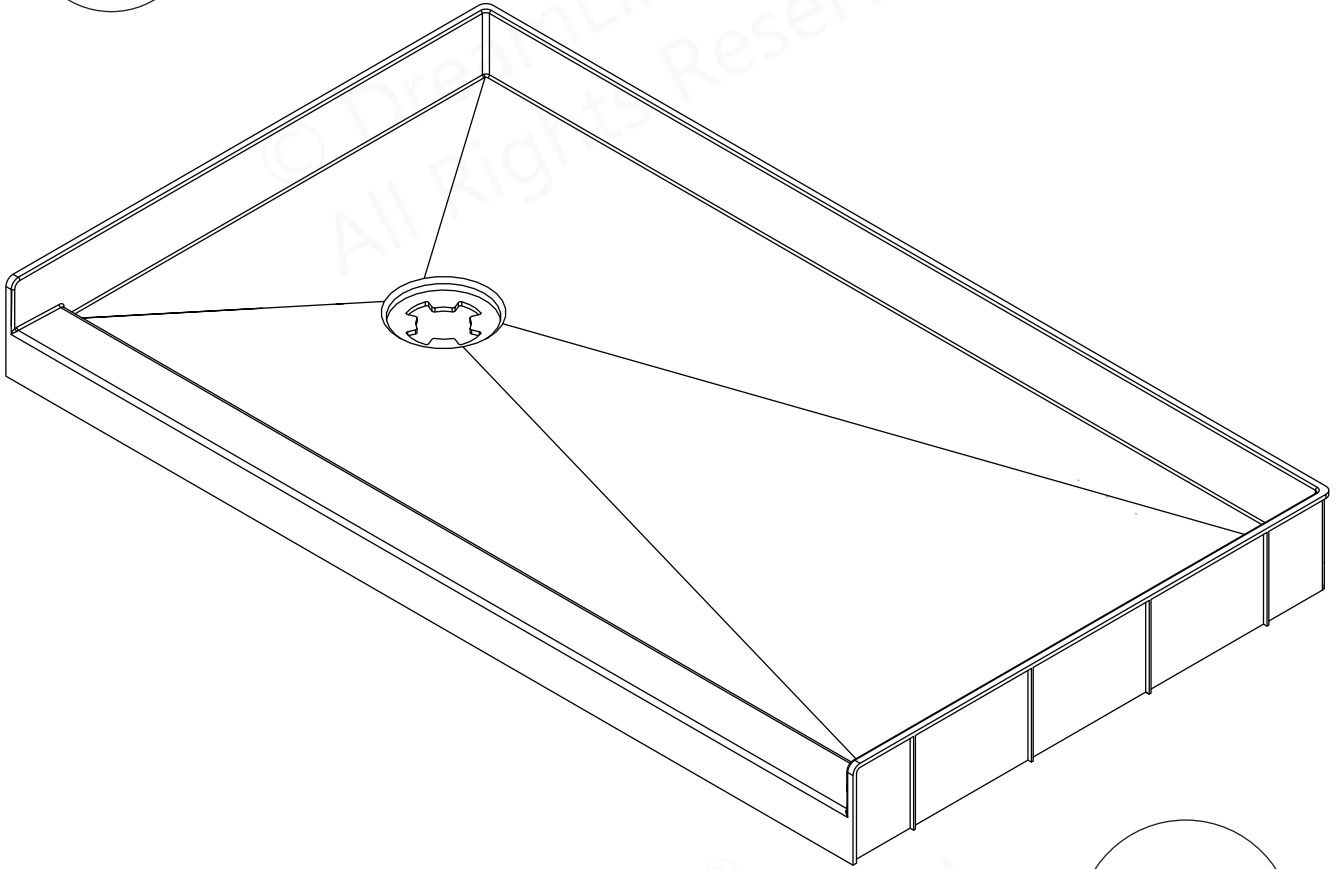
# Detailed Diagram of TilePrime™ Base

## Drain Hole Specs



# Parts List

01



x1

**TilePrime™ Shower Base**

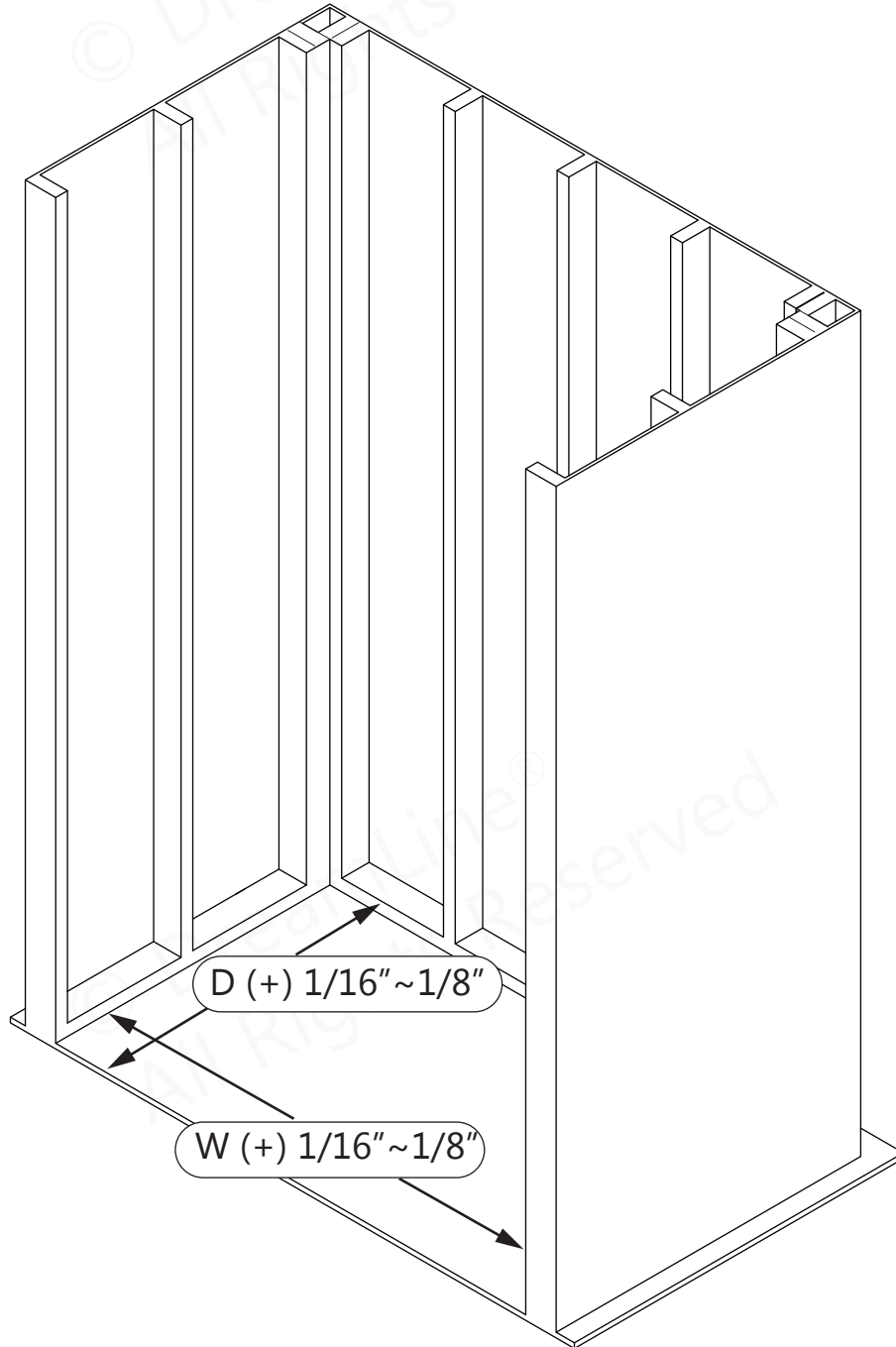
(The TilePrime™ shower base with a left-hand drain is shown as an example throughout this manual)



1

**NOTE**

The studded opening must be  $1/16''$ - $1/8''$  larger than the TilePrime™ shower base to allow for expansion and contraction. **Fig 1**

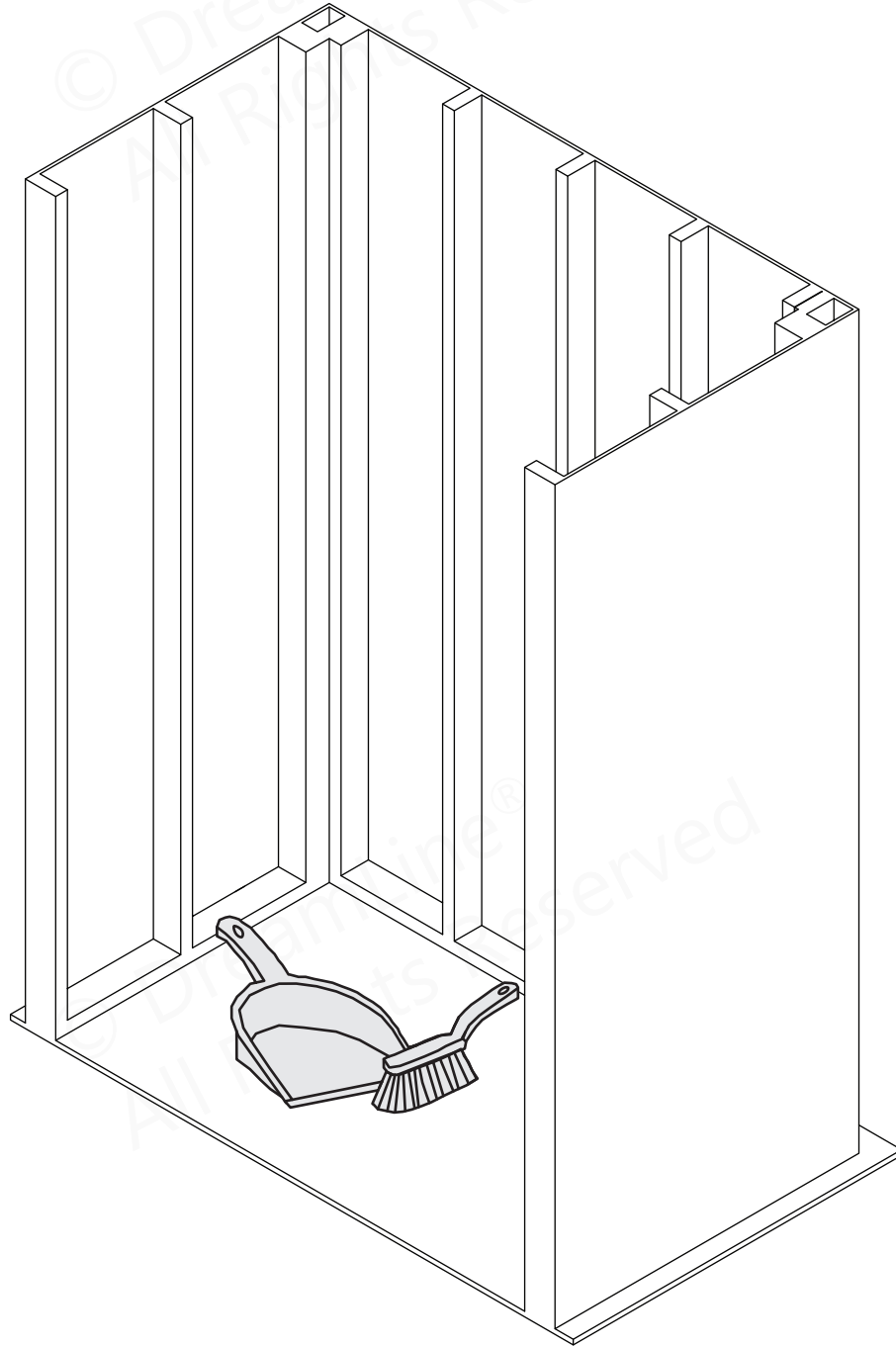


**Fig 1**

2



The shower opening must be clean of all dirt and debris prior to installation. **Fig 2**

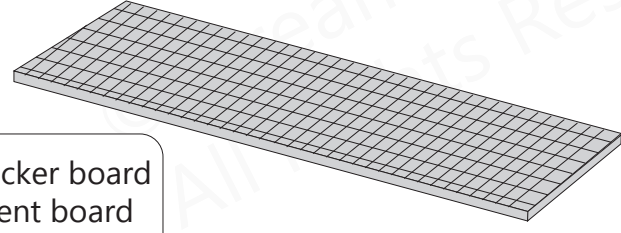


**Fig 2**

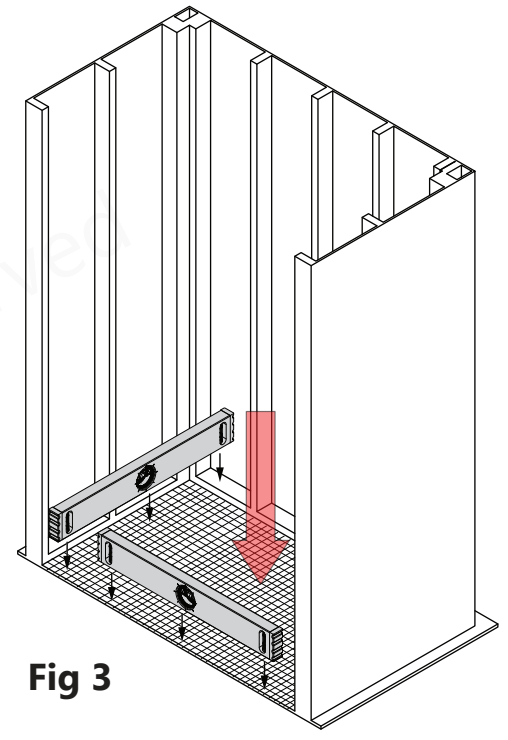
3

**NOTE**

Cut and install 1/2" backer board or cement board (per manufacturer's instructions) over the subfloor. Do Not use cement board in place of a subfloor. Check the floor for level. If the floor is slightly out of level, shims can be added later to level the TilePrime™ shower base. **Fig 3**



1/2" backer board or cement board



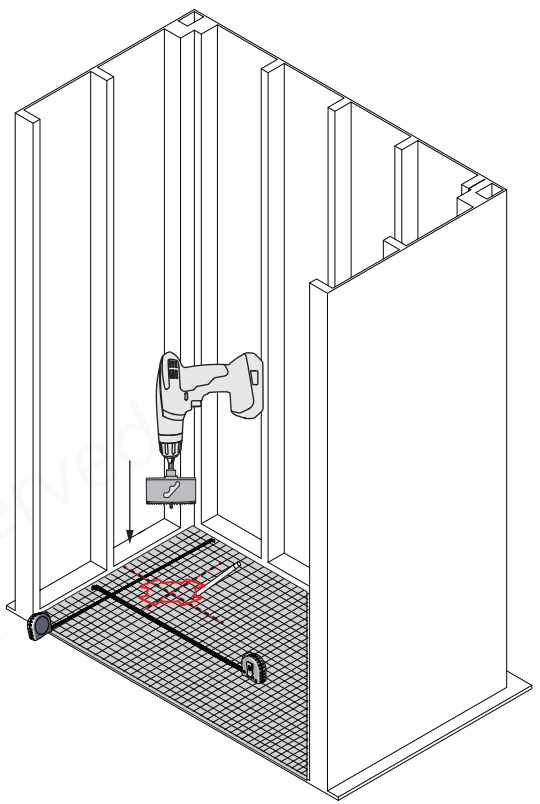
**Fig 3**

**NOTE**

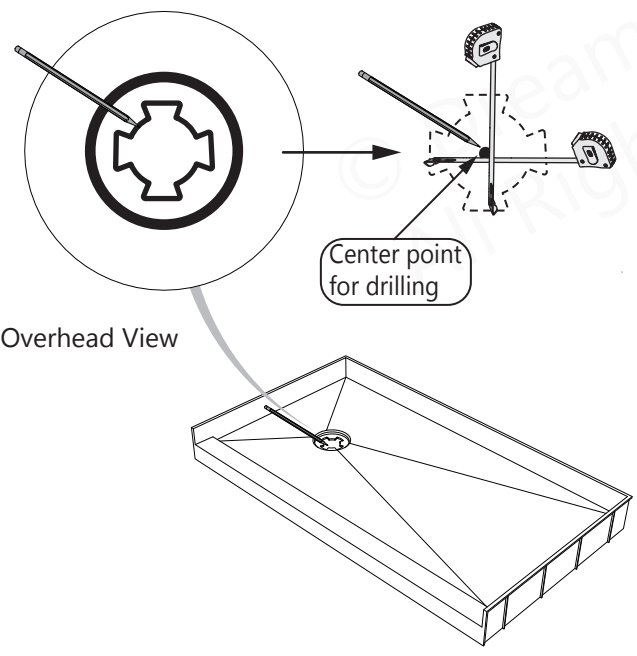
**If the shower has an existing drain, make sure it aligns with the drain opening in the TilePrime™ base prior to installation.**

**Dry fit** the TilePrime™ base. Trace the outline of the drain opening from the base onto the cement board and measure to locate the center for drilling. Use a **6" hole saw** to drill the hole for the drain base. **Fig 3a**

Check the position of the joists under the subfloor before cutting. **Do not cut into joists.**



**Fig 3a**



Overhead View

Center point for drilling

Left-hand drain installation shown as example

**NOTE**

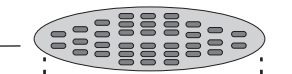
**A 6" diameter hole is necessary for the drain installation to allow some flexibility with aligning the drain**



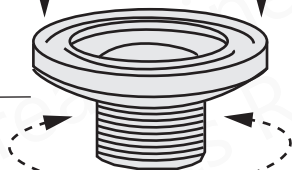
# Example of Drain Assembly (for reference only)

(Drain not included)

Strainer



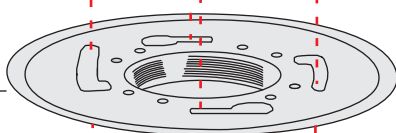
Adjustable Drain Barrel



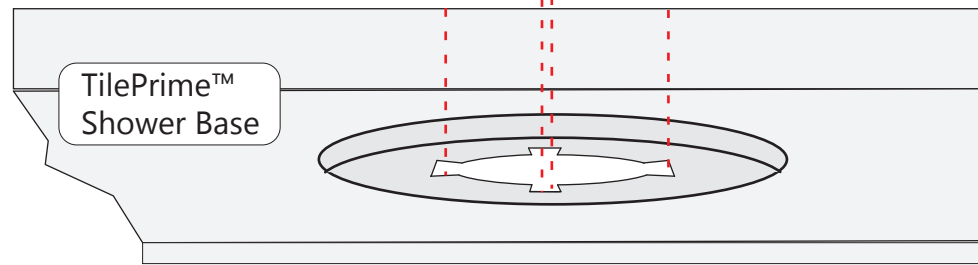
Collar Bolts



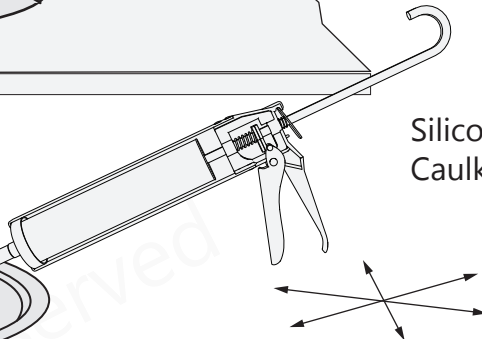
Reversible Clamping Ring



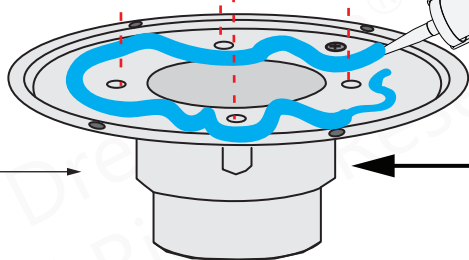
TilePrime™ Shower Base



Silicone and Caulk Gun



Drain Base

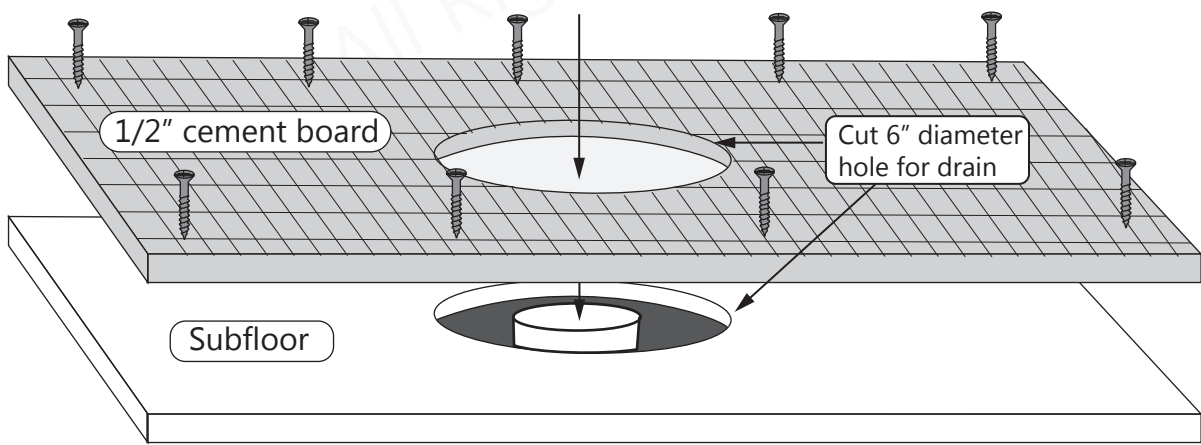


Drain base is NOT attached to backerboard for ease of alignment with drain opening in TilePrime™ base

1/2" cement board

Cut 6" diameter hole for drain

Subfloor



**NOTE**

Consult cement or backer board manufacturer for proper screw placement and cutting methods.



**Dry fit the base first. Do not add mortar until instructed in Step #8.**

Fig 4

## Drain Installation: Scenario #1 of 2

**(No plumbing access beneath the shower)**

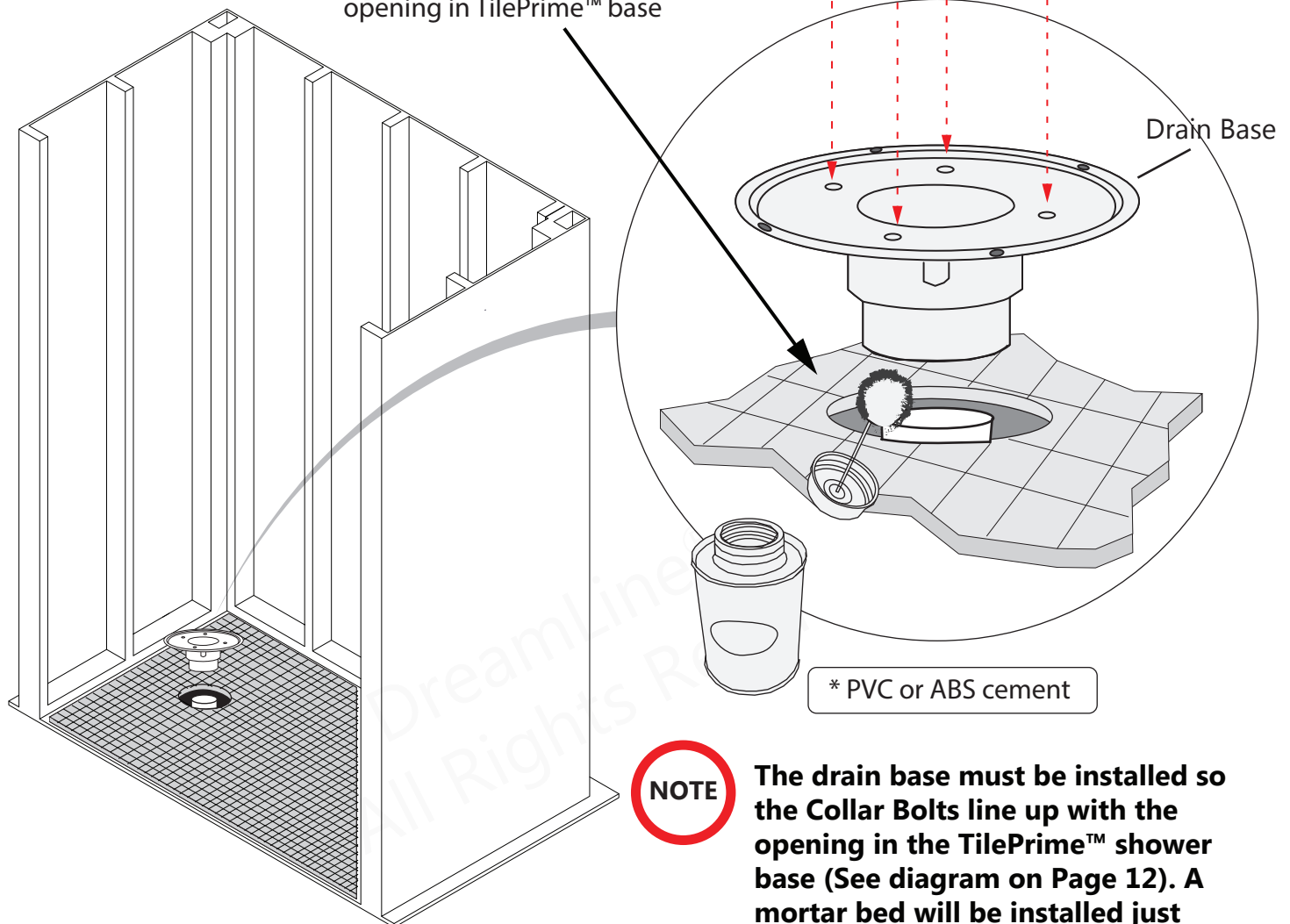
**NOTE**

**If there is no access to the plumbing beneath the shower:**

Remove the drain barrel, collar bolts and clamping ring from the 3-piece Tile-In drain. Install the Drain Base to the existing plumbing according to the manufacturer's instructions. Make sure the collar bolt positions line up with the opening in the base (**North/South/East/West - See diagram on page 12**). Leave the drain base loose - **DO NOT** attach the Drain Base to the 1/2" cement board. **Fig 4**

DO NOT attach the drain base to the backerboard to allow for ease of alignment with the drain opening in TilePrime™ base

Holes for Collar Bolts must be lined up to match the drain cutout in the base.



**Fig 4**

**NOTE**

The drain base must be installed so the Collar Bolts line up with the opening in the TilePrime™ shower base (See diagram on Page 12). A mortar bed will be installed just before the TilePrime™ shower base is installed.

\*use the proper cement based on the drain manufacturer's recommendation (PVC or ABS cement)

**Tools Needed**

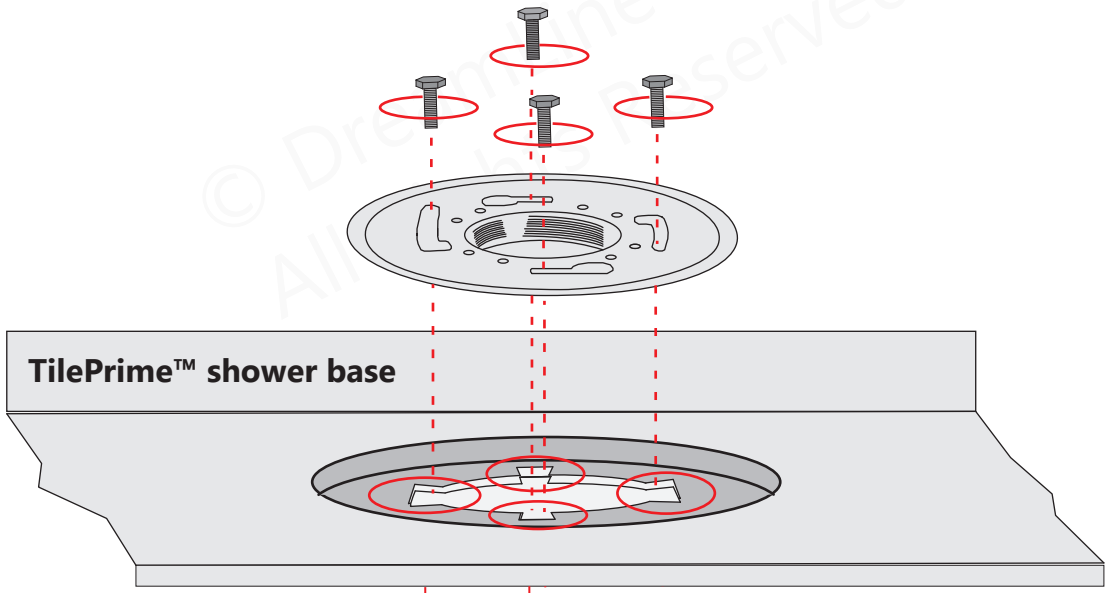


# 5 Drain Installation: Scenario #1 of 2 (continued)

(No plumbing access beneath the shower)



The Tile-In Drain Base must be installed to the existing plumbing so the **Collar Bolts** line up with the drain opening in the TilePrime™ shower base. Fig 5



Dry fit only....do not add mortar at this time.

DO NOT attach the drain base to the backboard to allow for ease of alignment with the drain opening in TilePrime™ base

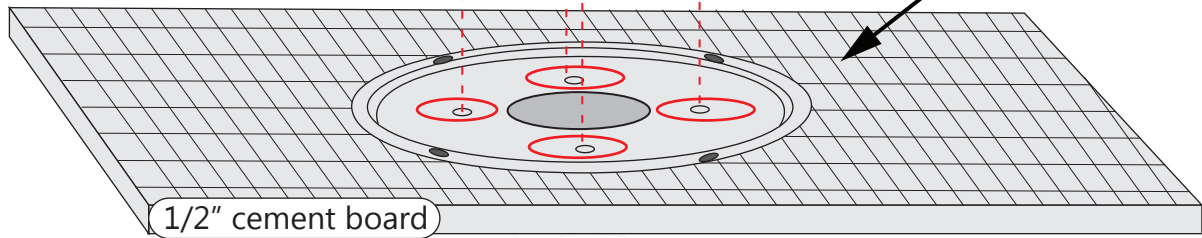
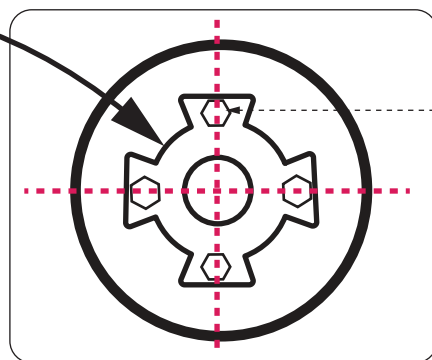
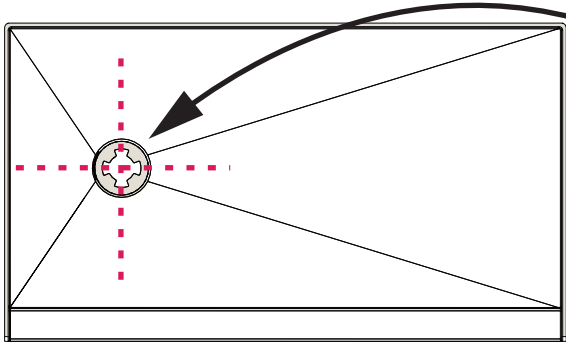


Fig 5

(Overhead View)



Collar bolts must be lined up correctly to fit the opening in the base

**Note:** Remove the collar bolts to install the base and then reinstall them after the base is in place



If Scenario #1 (no plumbing access) was used, proceed to Step #8 on Page 15

## Drain Installation: Scenario #2 of 2

6

**(When plumbing access exists beneath the shower)**

**NOTE**

If there is access to plumbing from under the shower, attach the drain to the TilePrime™ base (according to the drain manufacturer's instructions) and extend it with PVC or ABS pipe (if necessary) in order to connect to the plumbing from under the shower once the base is installed and the mortar has set. **Fig 6**

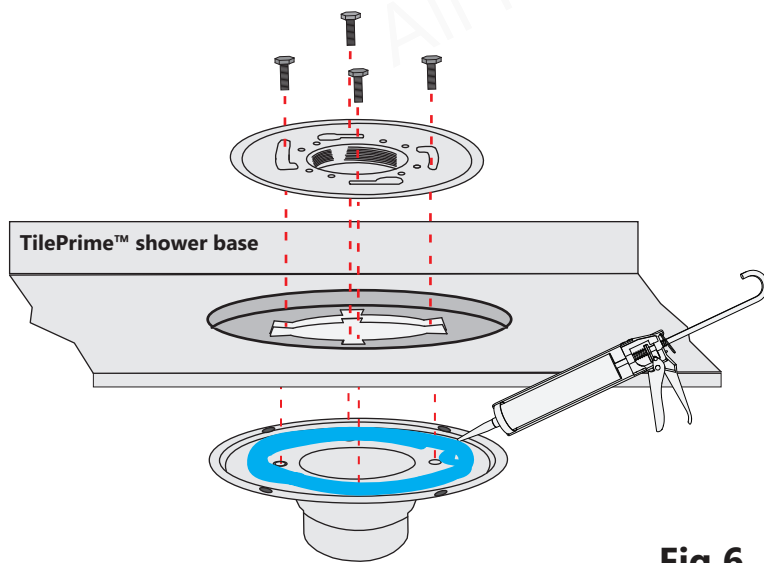
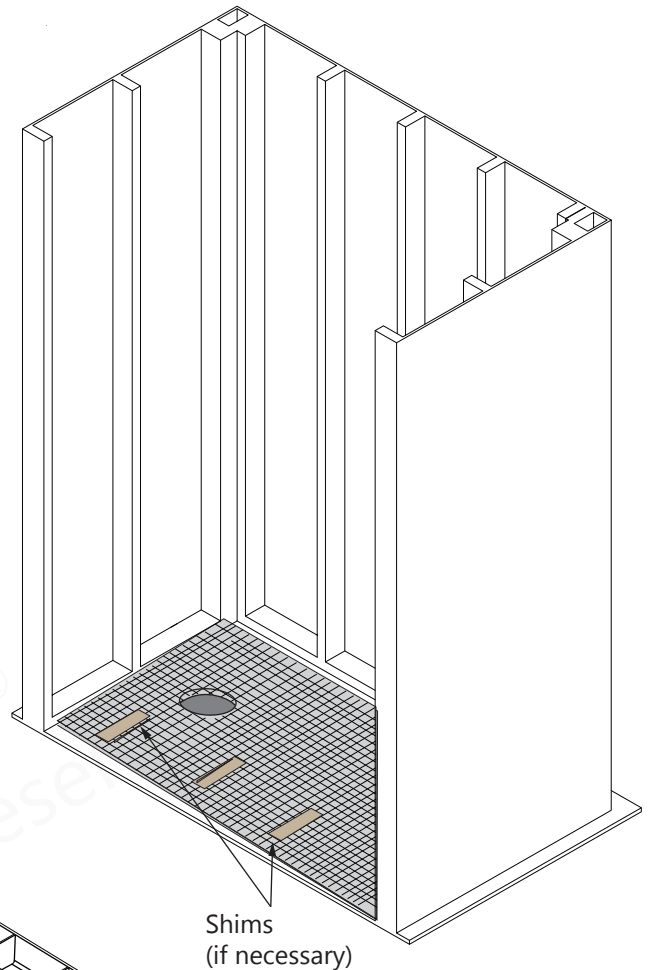
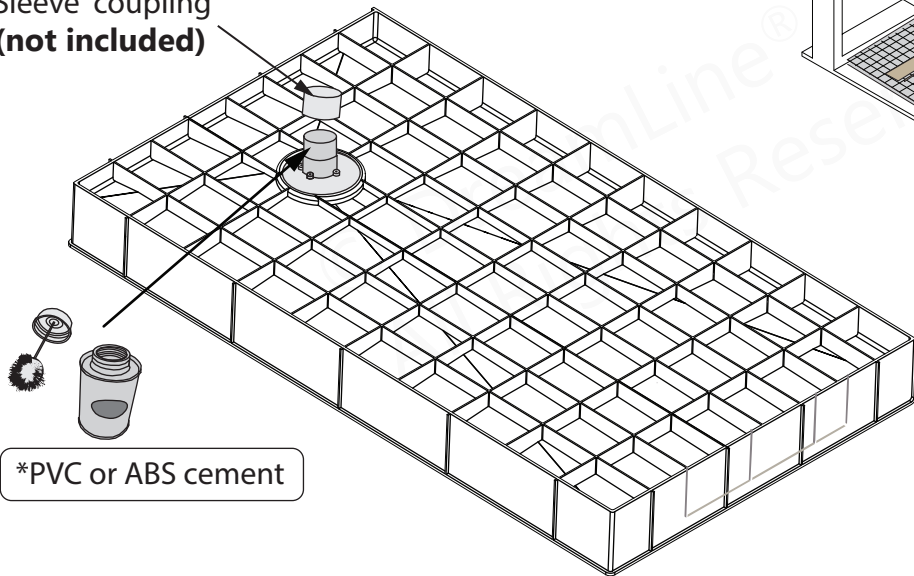


Fig 6

\* Sleeve coupling (not included)



**NOTE**

Extend drain underneath base (if needed) to make plumbing connection beneath shower later.  
\* Plumbing connections and drain not included.

### Tools Needed



## Drain Installation: Scenario #2 of 2 (continued)

(When plumbing Access exists beneath the shower)

7

NOTE

**Dry fit** the TilePrime™ shower base and check for level. Add Shims under the base as necessary until all four sides are level. **Fig 7**



**Dry fit only! DO NOT** connect the drain at this step. The drain will be connected only after the mortar bed under the TilePrime™ shower base has set for 24 hours.





## Mortar Bed Installation

**NOTE**

Cover the drain (if already pre-installed under the base) and drain hole when applying the mortar bed to prevent debris from getting into the drain.

**NOTE**

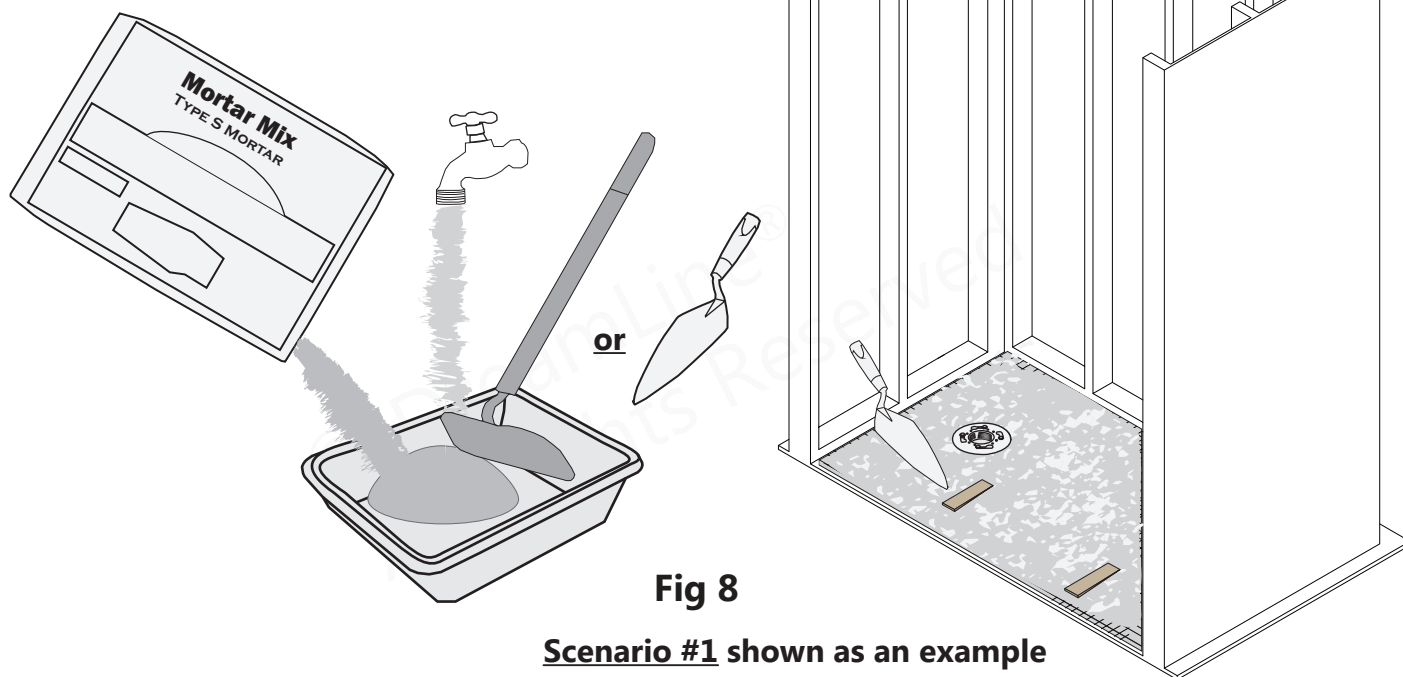
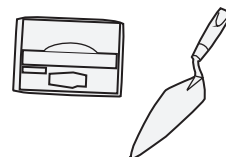
Mix mortar or Thinset (not cement) with water (according to manufacturer's directions) until wet, but stiff enough to hold up a trowel (pudding consistency). Apply the mortar or Thinset to the entire surface of the cement board. Leave a 2" gap around the drain area so mortar won't push onto the drain when setting the TilePrime™ base. **Fig 8**

**Note:** 1-2" of mortar is recommended. Too much mortar will make it difficult to press the TilePrime™ base all the way down to the backer board and drain base.

**Scenario #1 (with drain base attached to drain line)**

**NOTE**

**Scenario #2 (attach entire drain onto TilePrime™ base and connect to plumbing after base install)**


**Tools Needed**


9

## Base Installation: Scenario #1 of 2

(No plumbing access beneath the shower/drain base pre-installed under the TilePrime™ shower base)

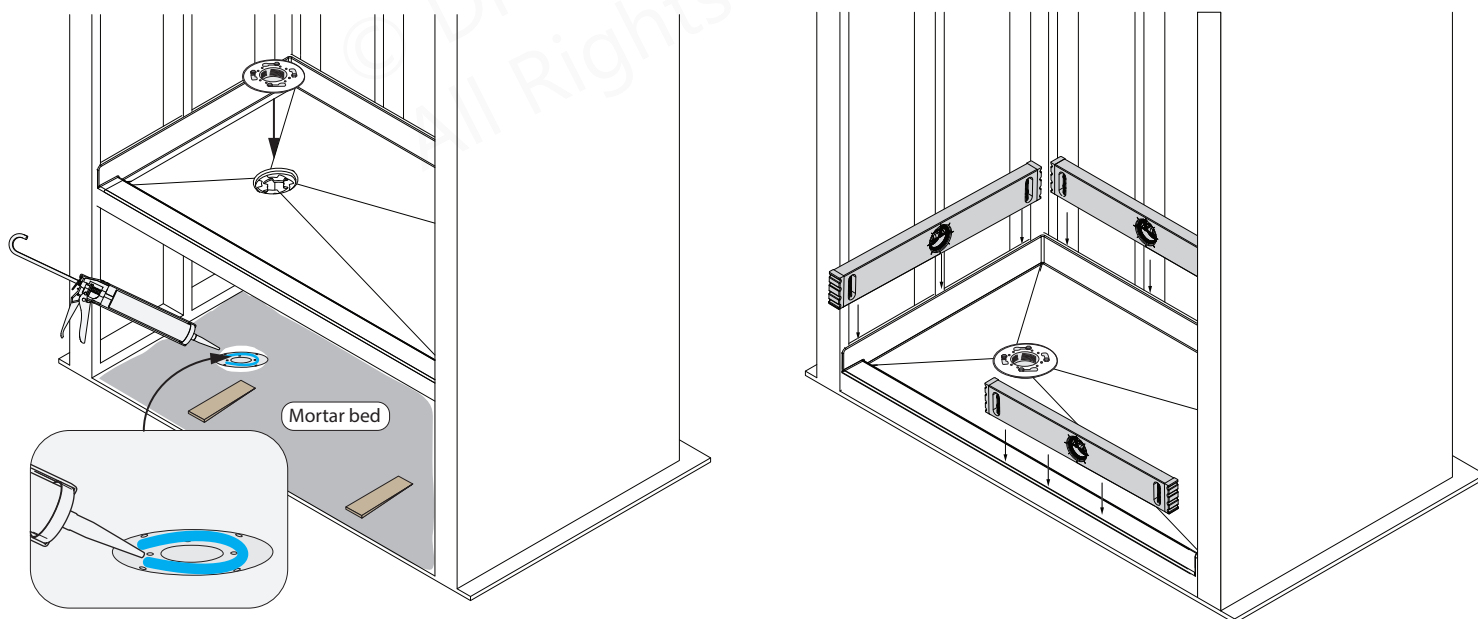


Fig 9

### NOTE

Apply a heavy circle of clear silicone to the top of the installed Drain Base. Press the TilePrime™ shower base **all the way down** into the mortar bed and level the base on all sides, using shims if needed. Wipe away any excess silicone and attach the clamping ring to the drain base through the opening in the base. Tighten the bolts until the clamping ring and the Drain Base are both solidly connected to the TilePrime™ shower base. **Fig 9**

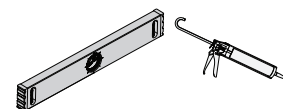


**Once the TilePrime™ base is leveled and set, allow 24 hours for the mortar and silicone to cure before standing in or putting any weight on the base.**



Before installing tile, test the drain connection. Pour water into the base to test for leaks.

### Tools Needed



9a

## Base Installation: Scenario #2 of 2

(When plumbing access exists under the shower and the drain has been installed onto the TilePrime™ shower base)

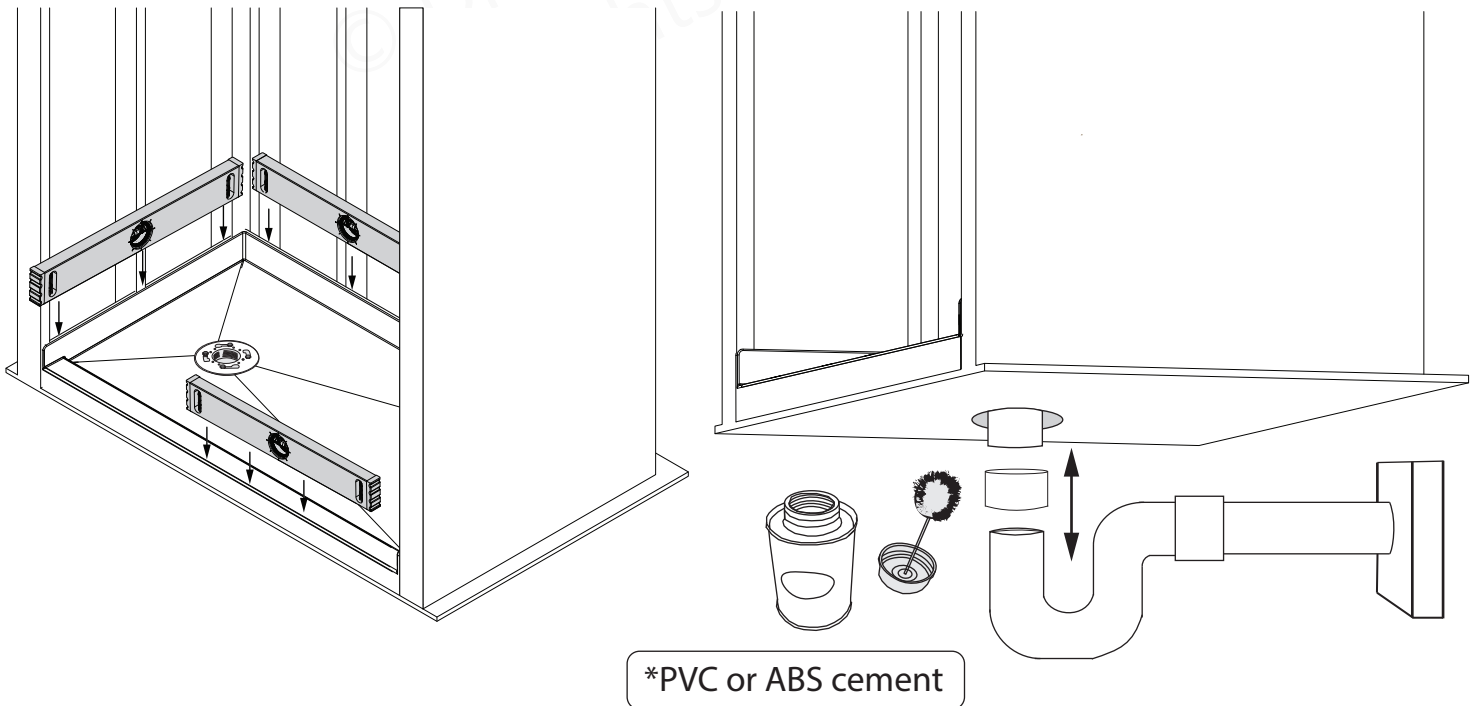


Fig 9a

**NOTE**

Press the TilePrime™ shower base **all the way down** into the mortar bed. **Allow 24 hours for mortar to set**, then connect the drain from underneath the shower. **Fig 10a**



**Once the TilePrime™ base is leveled and set, allow 24 hours for the mortar and silicone to cure before standing in or putting any weight on the base.**



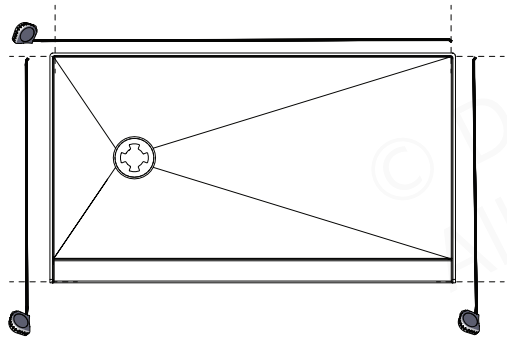
Before installing tile, test the drain connection. Pour water into the base to test for leaks.

### Tools Needed

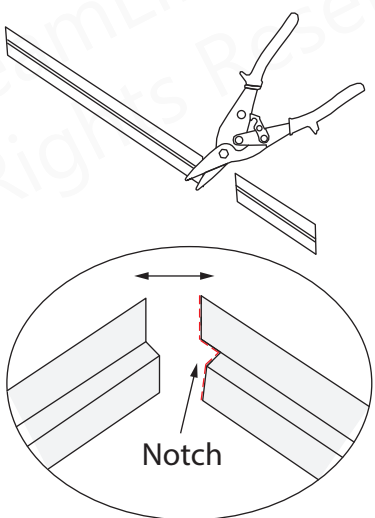




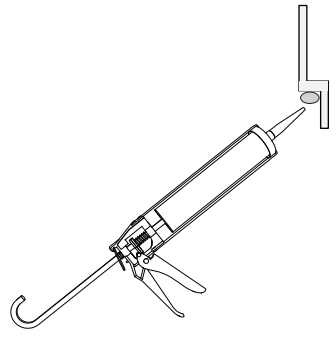
After the mortar and silicone have set for 24 hours, measure the length of the three inside edges of the base. Cut the 1/2" Z-molding to those same three lengths, notching ends as needed (**See example below (B)**). Dry fit the Z-molding and adjust as needed. Apply silicone to the underside of each molding. Position each piece on the base edge and use galvanized nails (not included) to attach the Z-molding to the studs. **Fig 10**



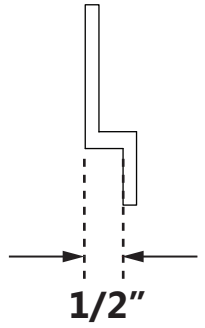
**A.** Measure all 3 inside edges of the Tile Prime base.



**B.** Cut 3 pieces to size and dry fit them. Notch the ends as needed for a clean fit at the corners.

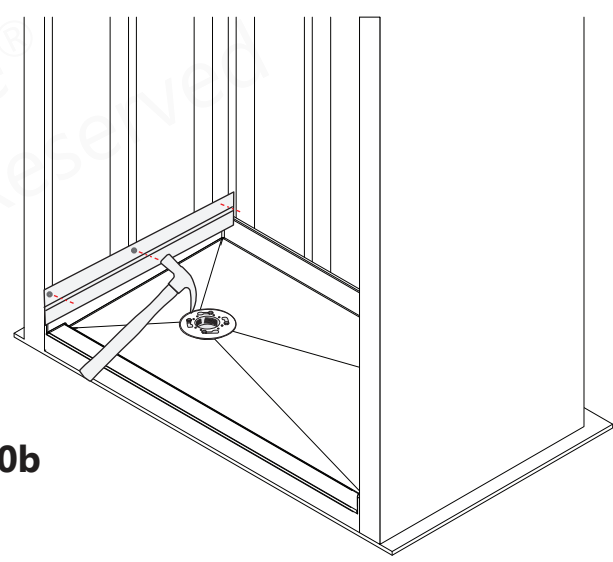
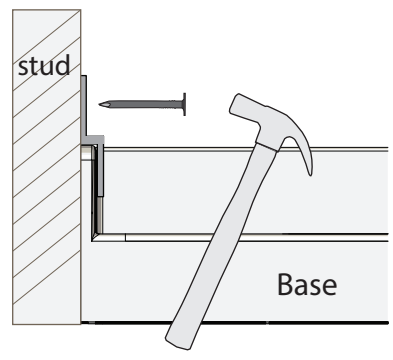
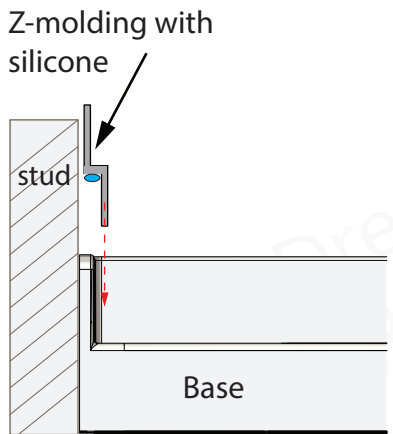


**C.** Silicone underside of Z-molding



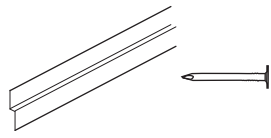
**Fig 10a**

**D.** Place Z-molding on the base and nail to the studs **Fig 10b**

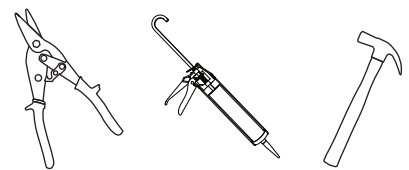


**Fig 10b**

**Parts Needed**  
(not provided)



**Tools Needed**

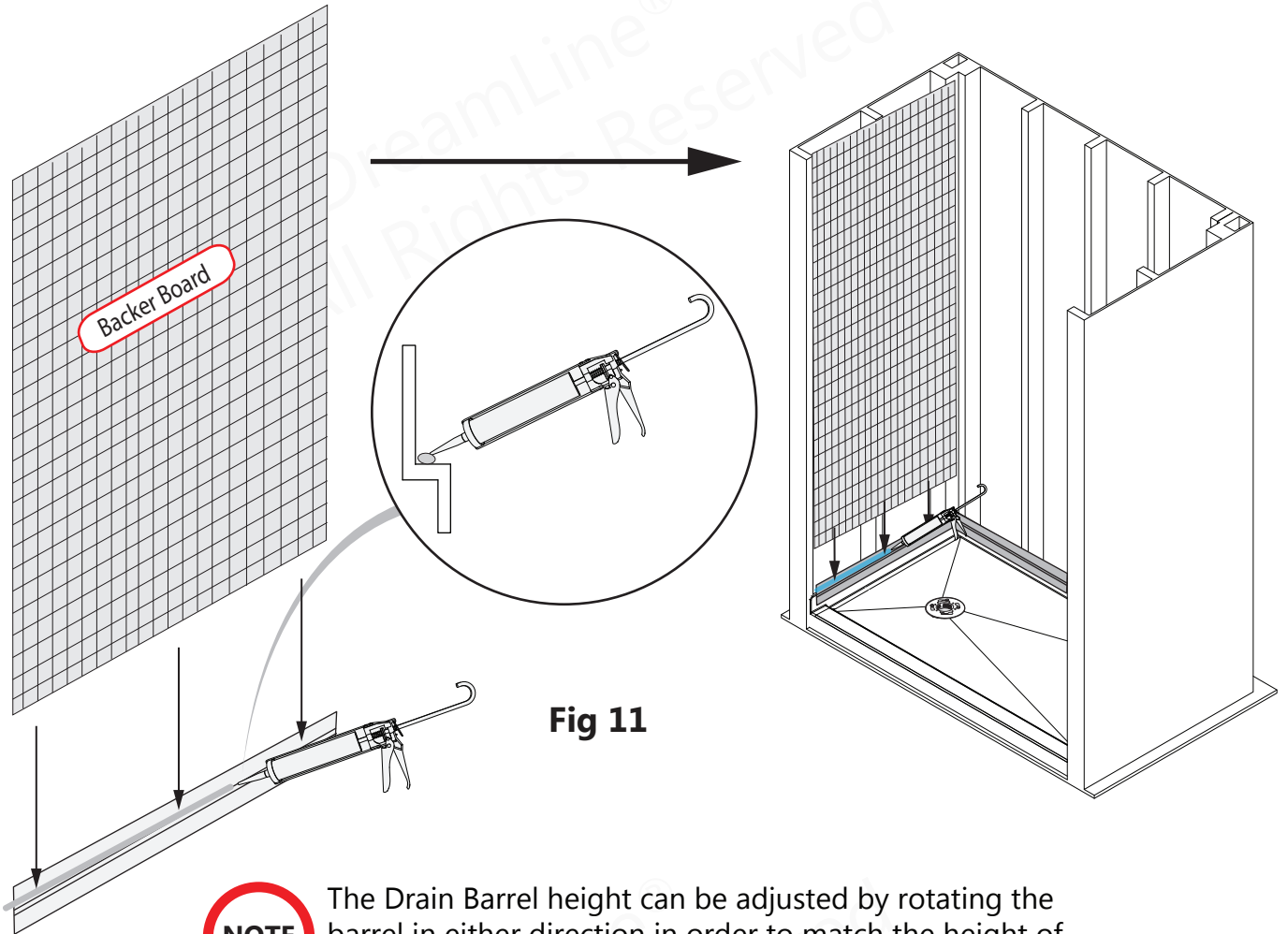


**11**

**NOTE: Backer board/cement board not included with product.**

**NOTE**

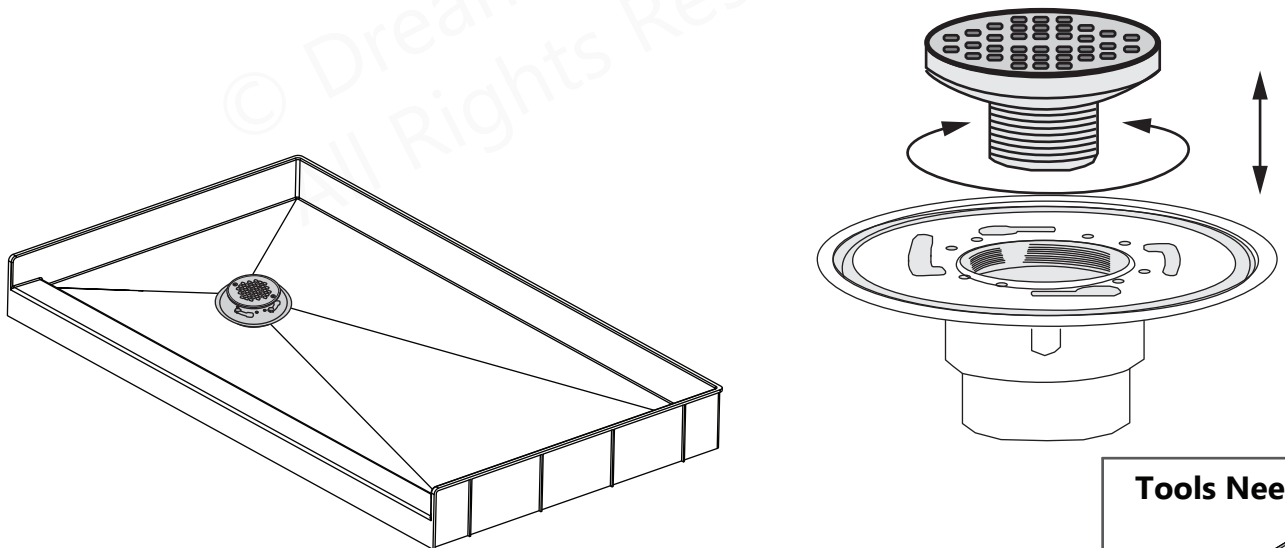
Apply a bead of clear silicone on the 1/2" ledge of the Z-flashing, then sit the backer board or cement board onto the ledge during installation. Tape and seal any seams/screw holes in the backer board as needed. Once complete, the base and opening are ready for tile. **Fig 11**



**Fig 11**

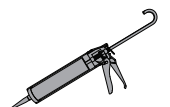
**NOTE**

The Drain Barrel height can be adjusted by rotating the barrel in either direction in order to match the height of the tile installed on the TilePrime™ shower base. **Fig 11a**



**Fig 11a**

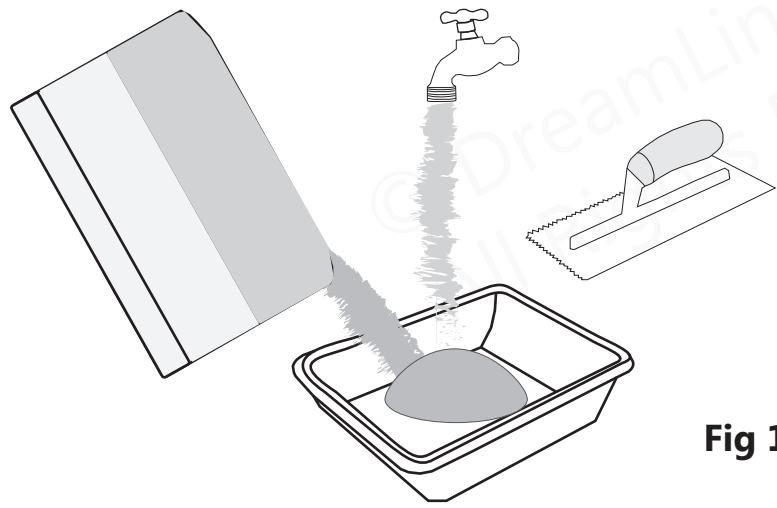
**Tools Needed**



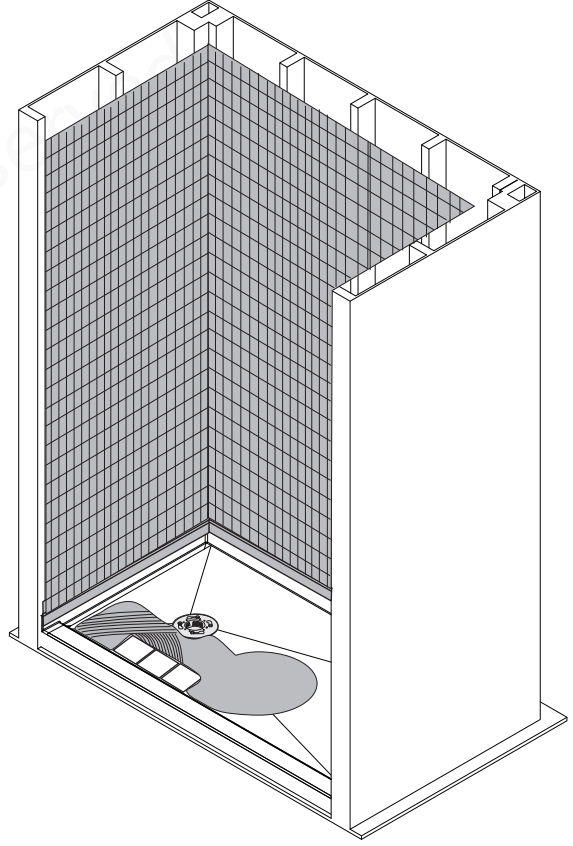
12

**NOTE**

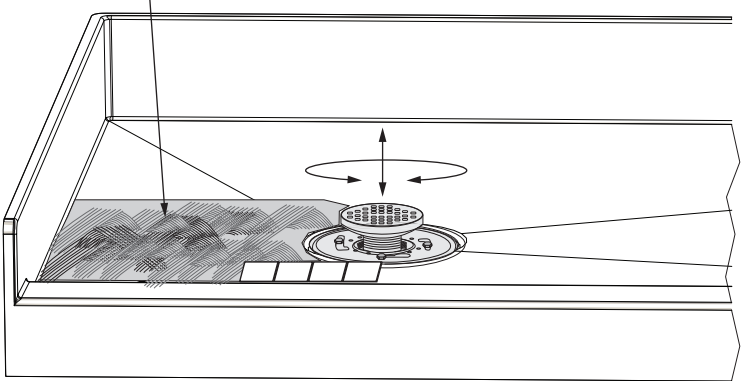
Mix Thinset (per the manufacturer's instructions). Spread Thinset on the TilePrime™ shower base with a small-notched trowel. Pre-cut the tiles if necessary, but Thinset will provide ample working time, and can also be mixed in small amounts as the installation progresses. Tile the entire base and the rest of the shower. **Fig 12**



**Fig 12**



Thinset



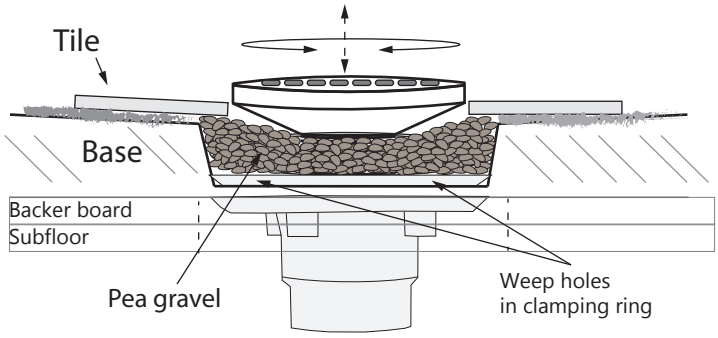
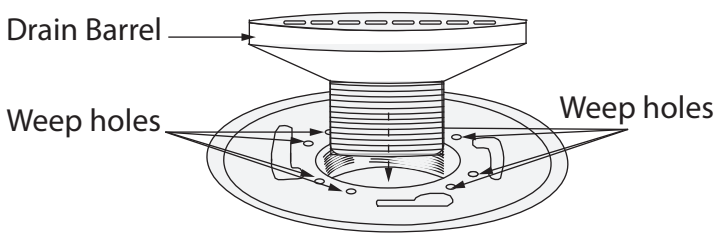
**NOTE**

The height of the Drain can be adjusted by rotating the Drain Barrel for a flush installation with the top surface of the installed tile.

**NOTE**

Make sure the tile around the drain is adequately supported to prevent tile movement.

**Optional:** Installing pea gravel under and around the Drain Barrel will allow any water that may get past the tile to flow into weep holes in the Clamping Ring leading to the drain pipe. **Fig 12a**



**Fig 12a**

# Notes

© DreamLine®  
All Rights Reserved

© DreamLine®  
All Rights Reserved

© DreamLine®  
All Rights Reserved



© DreamLine®  
All Rights Reserved

TEL: 866-731-2244  
FAX: 866-857-3638  
DREAMLINE.COM



For more information on DreamLine® Shower Doors and Enclosures please visit **DreamLine.com**