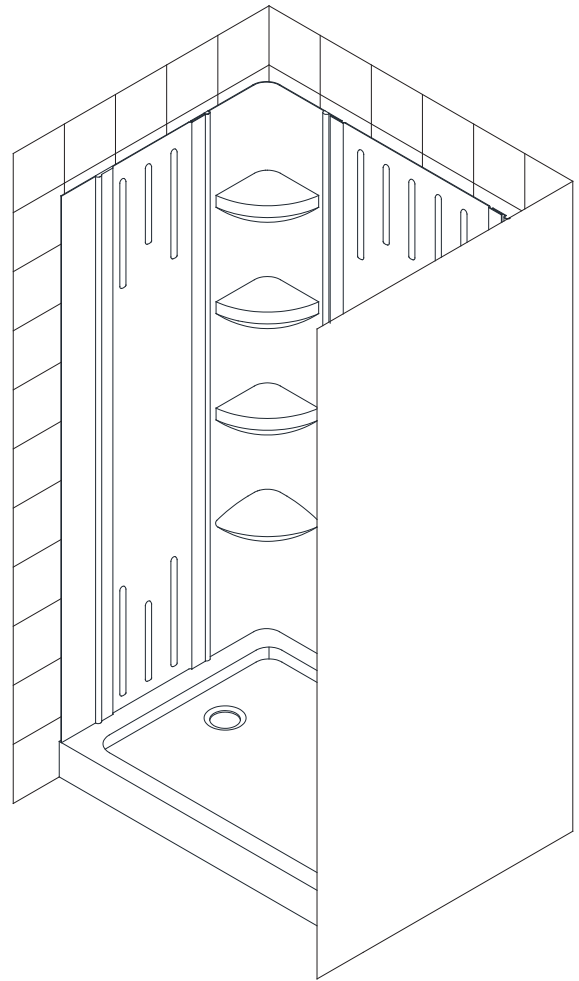
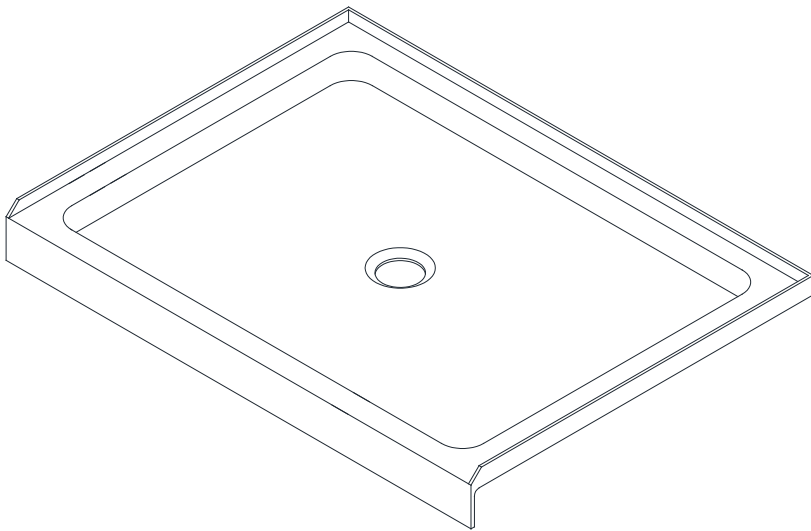


SlimLine Single Threshold Base & Q-Wall-3

BASE & BACKWALL INSTALLATION INSTRUCTIONS

IMPORTANT

DreamLine[®] reserves the right to alter, modify or redesign products at any time without prior notice. For the latest up-to-date technical drawings, manuals, warranty information or additional details please refer to your model's web page on **DreamLine.com**



STEP 1: Shower Base Installation Instructions

STEP 2: Shower Backwall Installation Instructions



Questions?

Please Call **DreamLine** Customer Support: **1-855-831-2126**
Hours of Operation M-F 8AM - 7PM EST and Saturday 9AM - 5PM EST

Support@DreamLine.com



For more information about DreamLine[®] Shower Doors, Tub Doors & Enclosures, please visit **DreamLine.com**

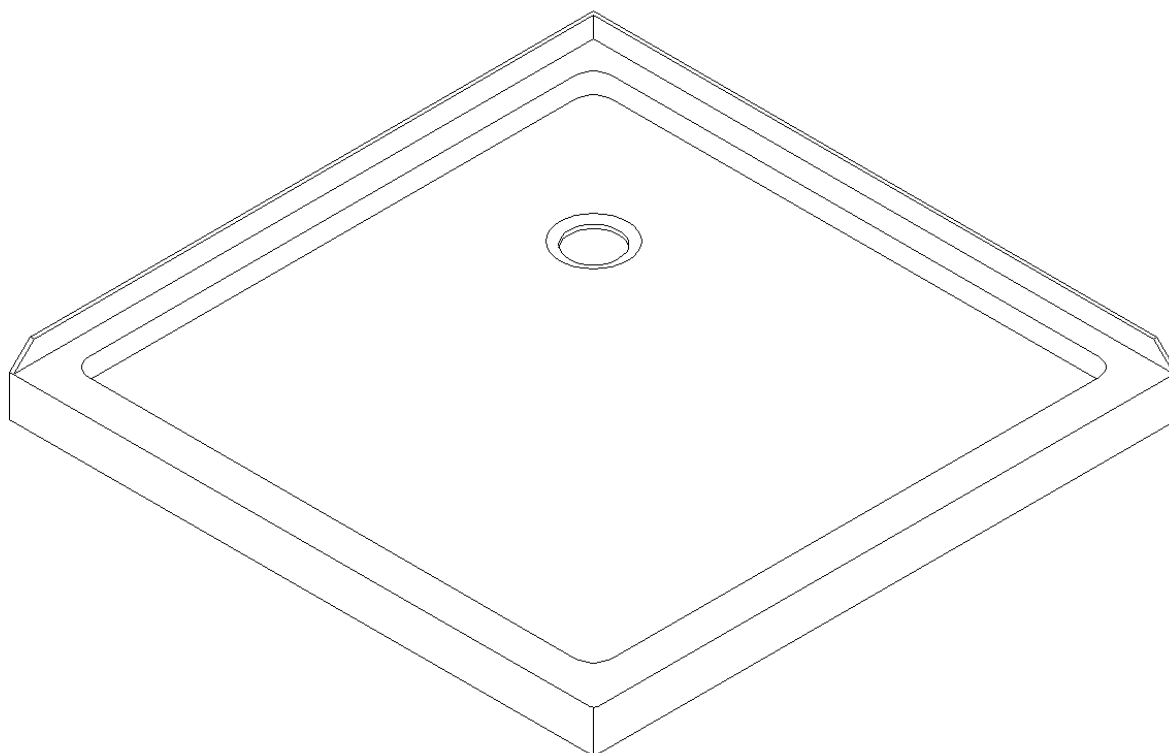


SLIMLINE SHOWER BASE

SHOWER BASE DIMENSIONS AND INSTALLATION INSTRUCTIONS

IMPORTANT!

DreamLine® reserves the right to alter, modify or redesign products at any time without prior notice. For the latest up-to-date technical drawings, manuals, warranty information or additional details please refer to your model's web page on DreamLine.com



Double Threshold Shower Base with Corner Drain Configuration
shown as an example

Color options:

- - White
- 22- Biscuit
- 88- Black

Please review this entire manual before beginning installation



Questions?

Please Call **DreamLine Customer Support: 1-855-831-2126**
Hours of Operation M-F 8AM - 7PM EST and Saturday 9AM - 5PM EST

Support@DreamLine.com



For more information about DreamLine® products please visit DreamLine.com

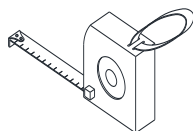
Preparation

1. Prior to installation, examine all boxes and packages for shipping damage and compare the piece count with your packing slip. After opening all boxes and packages read this introduction carefully. Check that all of the needed parts are included in the package by checking off the components on the "Detailed Diagram of Shower Door Components". If the unit has been damaged, has a finishing defect, or has missing parts, please contact our customer support department within **3 business days** of the delivery date. Please note that **DreamLine® will not replace any damaged products or missing parts free of charge after 3 business days or if the product has been installed.** Please contact DreamLine® if you have any questions and please provide an order number, job name or other proof of purchase to help identify the original order.
2. Install all of the required plumbing and drainage before installing the shower base. **Use a competent and licensed (if required by local code) plumber for all plumbing installation.**
3. **Shower bases must be installed by a licensed plumber. Please note that you should consult your local building codes with questions on installation compliance standards. Building and plumbing codes may vary by location and DreamLine® is not responsible for code compliance standards for your project.**
4. Make sure that prior to the installation the installation surface is leveled and solid and will be able to support the total weight of the unit. Also make sure the walls are at right angles. While some adjustment in leveling of the tray is possible, irregular installation surface level or improper angle of side walls will result in serious problems for your installation. Please note that some adjustments may be necessary during the installation process.
5. **Center drain configurations are centered on the width only. See technical drawing tables for drain locations.**
6. **Drain not included with this product.** The drain *opening* is 3-3/8" in diameter and **accepts a standard 2" compression fitted drain.**

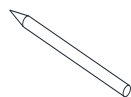
IMPORTANT NOTE:

Dimensions provided are for reference only. Measure the actual shower tray before installation. This includes overall dimensions and drain location. Allowed tolerance for center of the drain is +/-1/2".

Tools Required



Tape
Measure



Pencil



Level

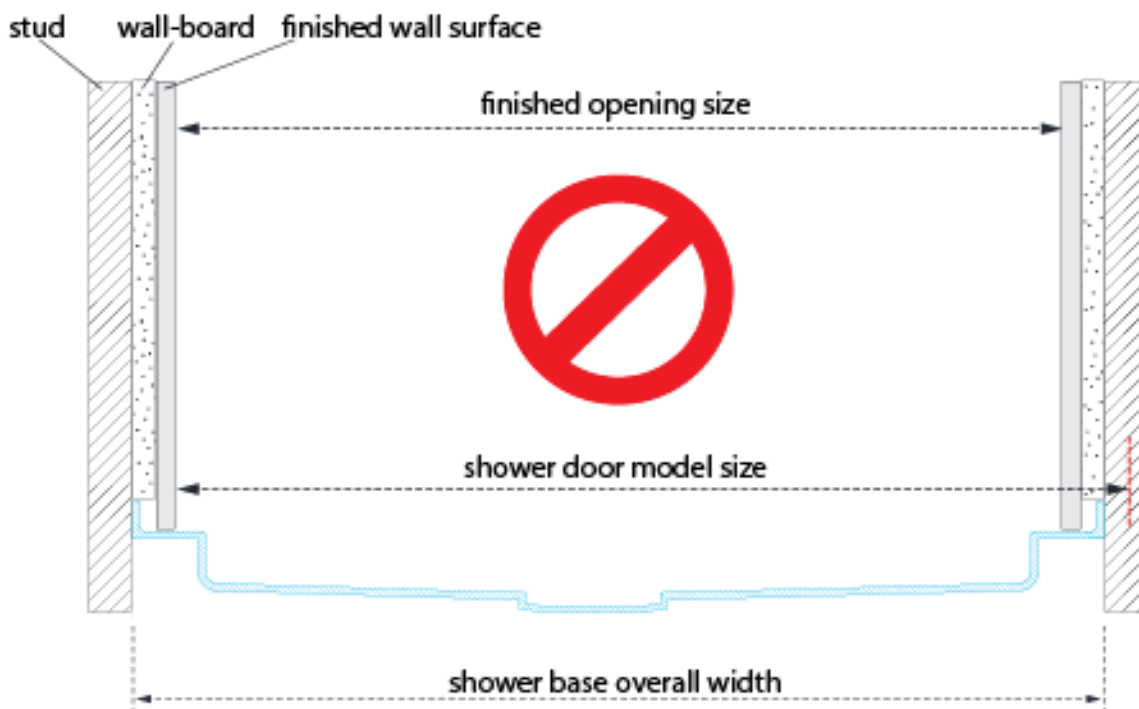
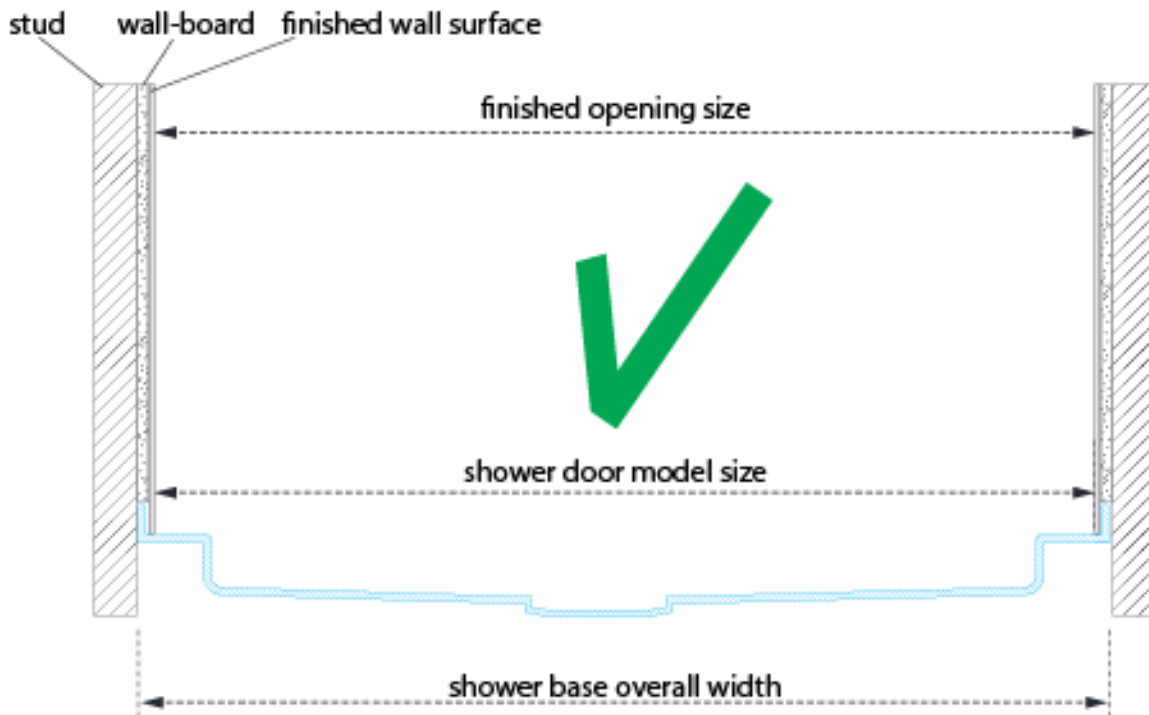


Mortar



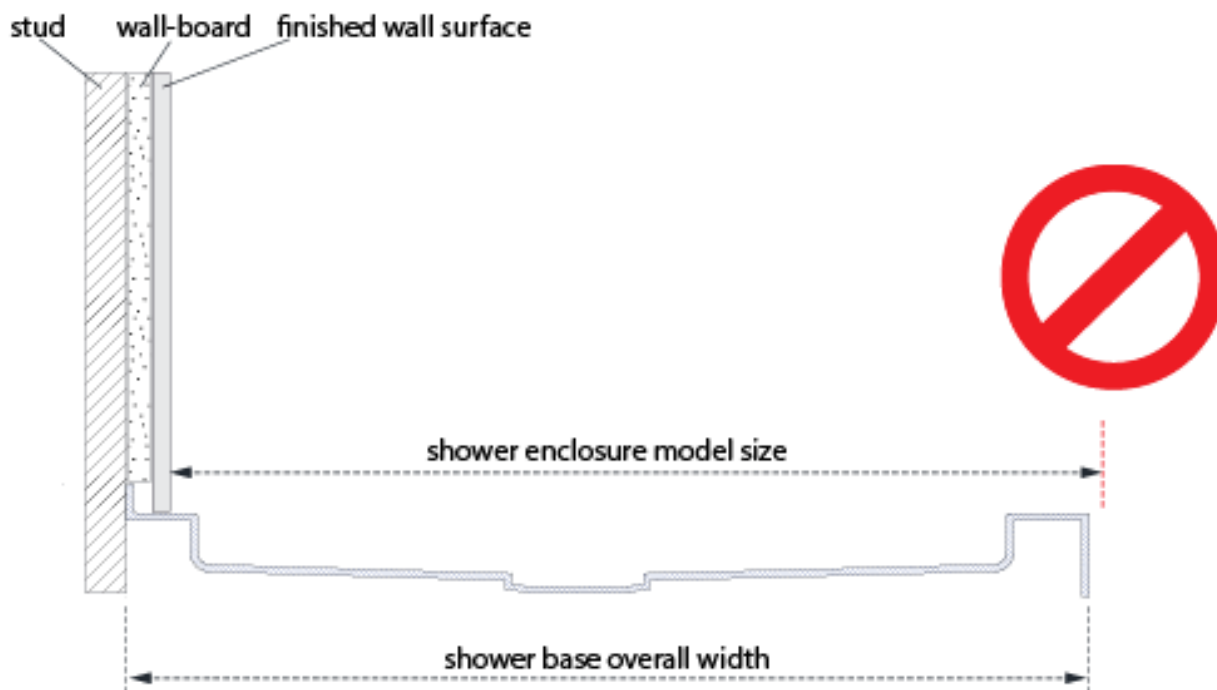
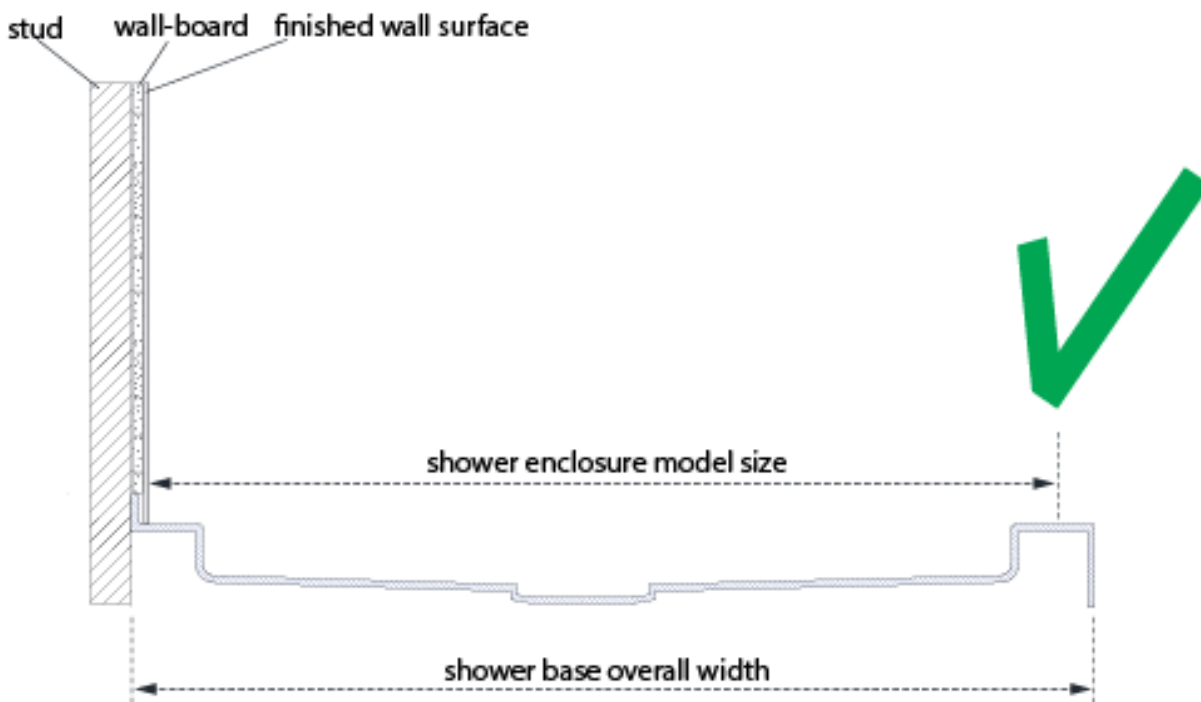
When constructing or installing a shower base, consider how **the thickness of the wall treatment (wallboard, tile, etc.) will affect the finished opening size for the shower door.**

Compare the overall dimensions of the shower door model with the finished opening size before proceeding with the installation.



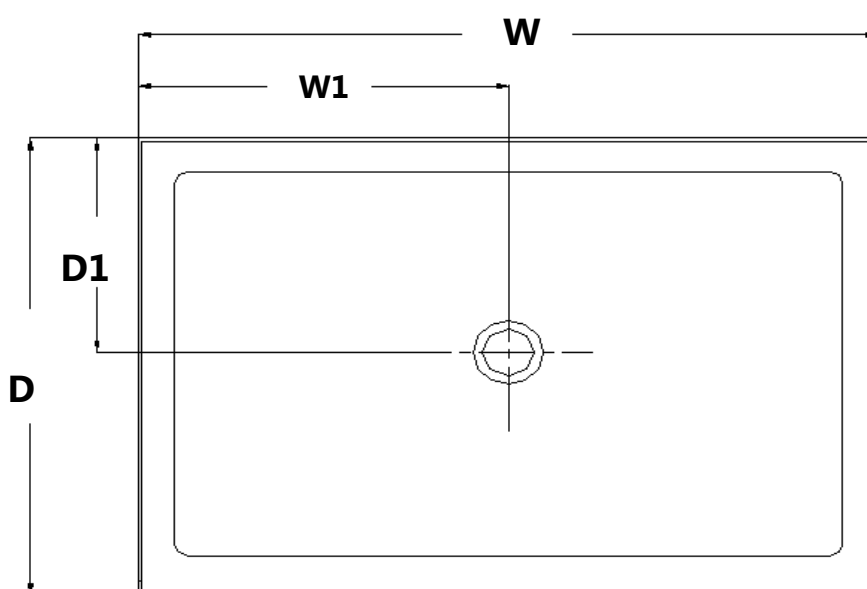
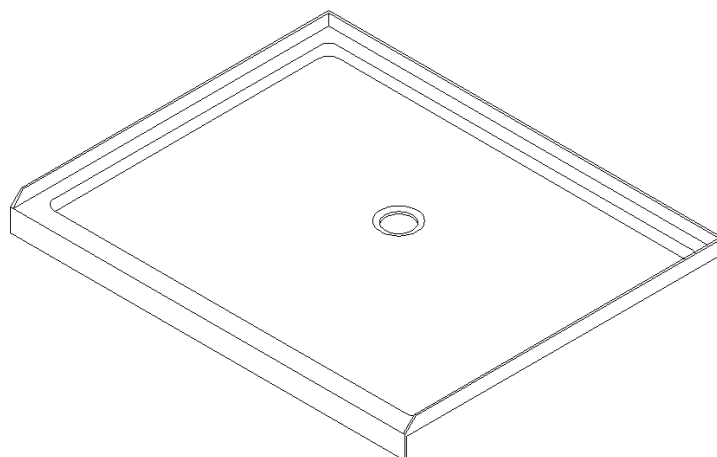


When constructing or installing a shower base, consider how **the thickness of the wall treatment (wallboard, tile, etc.) will affect where the shower enclosure will sit on the threshold.** Compare the overall outside dimensions of the shower enclosure model size with the finished threshold before proceeding with the installation.



SINGLE THRESHOLD SHOWER BASE

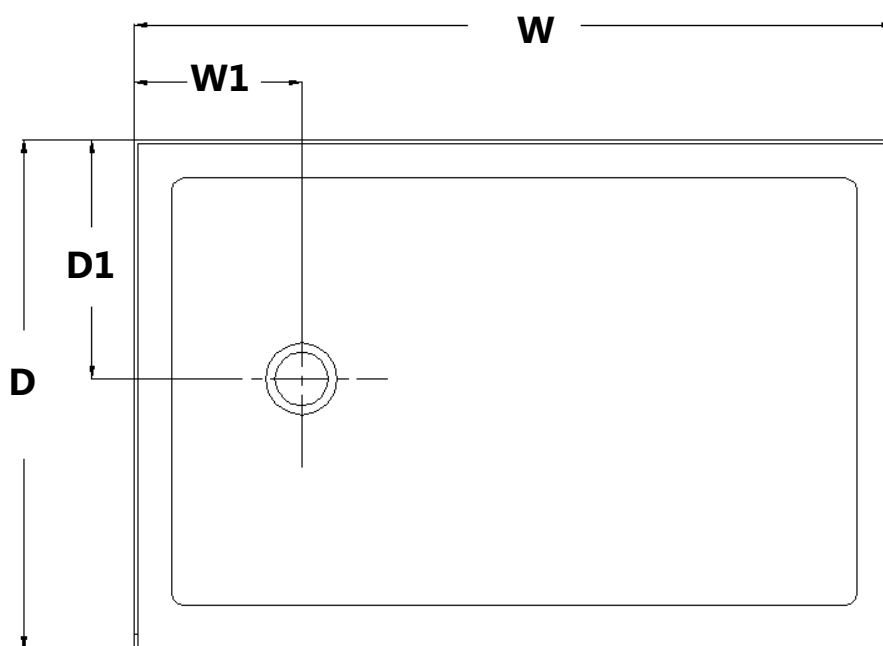
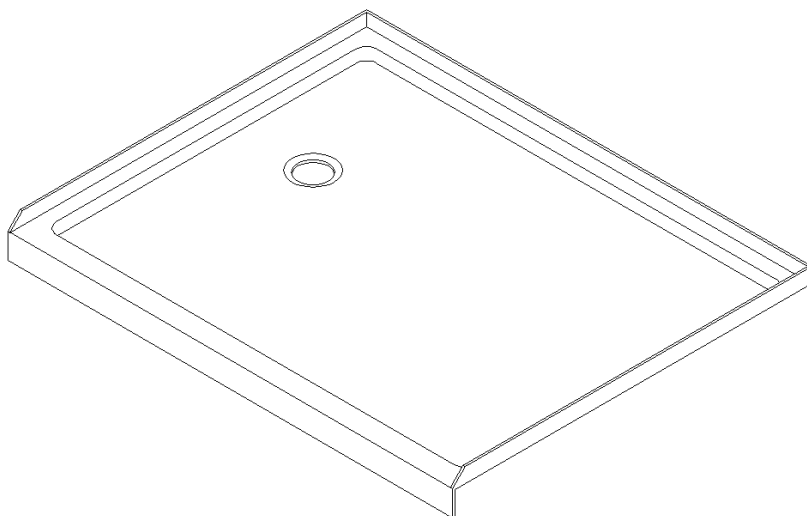
Center Drain Configuration



MODEL	SPECIFICATION	D (in)	W (in)	D1 (in)	W1 (in)
DLT-1132320	32" x 32"	32"	32"	15"	16"
DLT-1136360	36" x 36"	36"	36"	15"	18"
DLT-1132420	32" x 42"	32"	42"	15"	21"
DLT-1134420	34" x 42"	34"	42"	15"	21"
DLT-1136420	36" x 42"	36"	42"	15"	21"
DLT-1142420	42" x 42"	42"	42"	20"	21"
DLT-1132480	32" x 48"	32"	48"	15"	24"
DLT-1134480	34" x 48"	34"	48"	15"	24"
DLT-1136480	36" x 48"	36"	48"	15"	24"
DLT-1132540	32" x 54"	32"	54"	15"	27"
DLT-1134540	34" x 54"	34"	54"	15"	27"
DLT-1136540	36" x 54"	36"	54"	15"	27"
DLT-1130600	30" x 60"	30"	60"	15"	30"
DLT-1132600	32" x 60"	32"	60"	15"	30"
DLT-1134600	34" x 60"	34"	60"	15"	30"
DLT-1136600	36" x 60"	36"	60"	15"	30"

SINGLE THRESHOLD SHOWER BASE

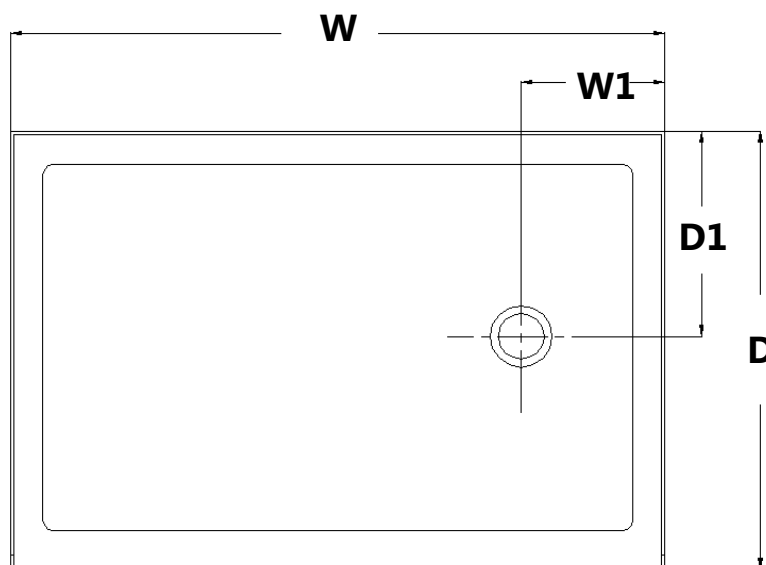
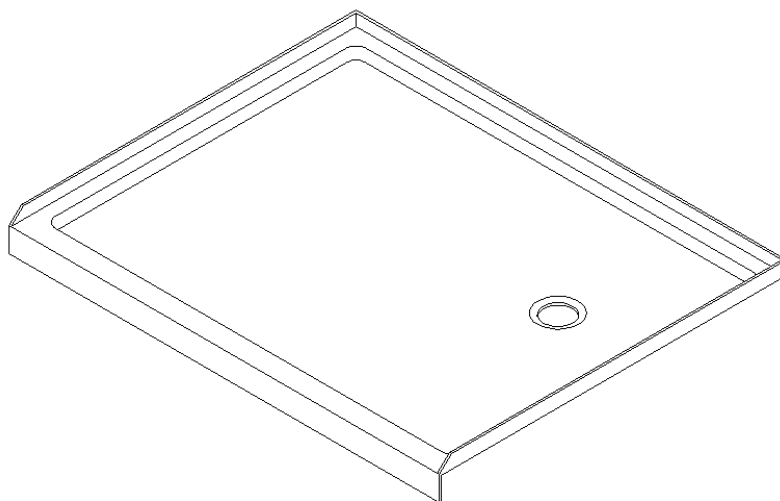
Left-Hand Drain Configuration



MODEL	SPECIFICATION	D (in)	W (in)	D1 (in)	W1 (in)
DLT-1130601	30"×60"	30"	60"	15"	12"
DLT-1132601	32"×60"	32"	60"	15"	12"
DLT-1134601	34"×60"	34"	60"	17"	12"
DLT-1136601	36"×60"	36"	60"	18"	12"

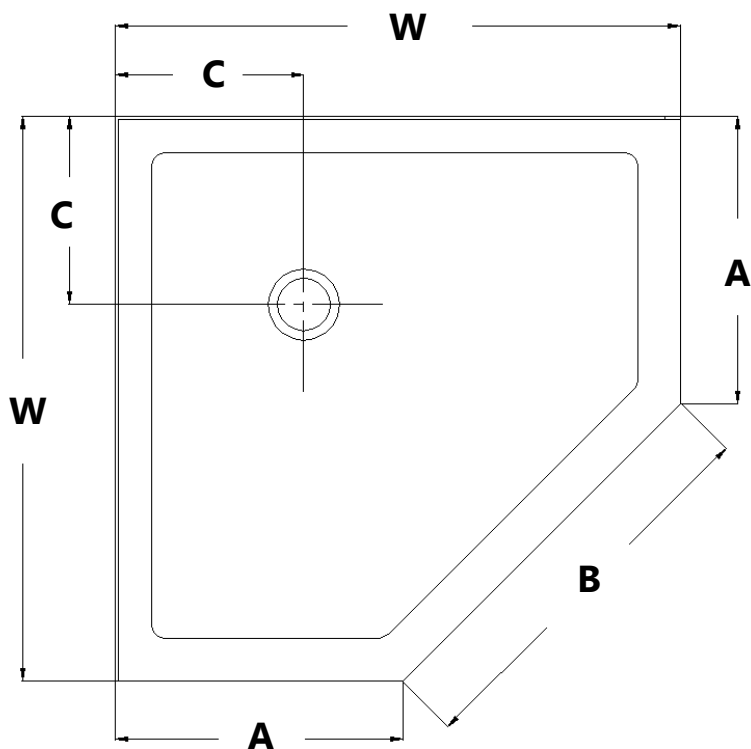
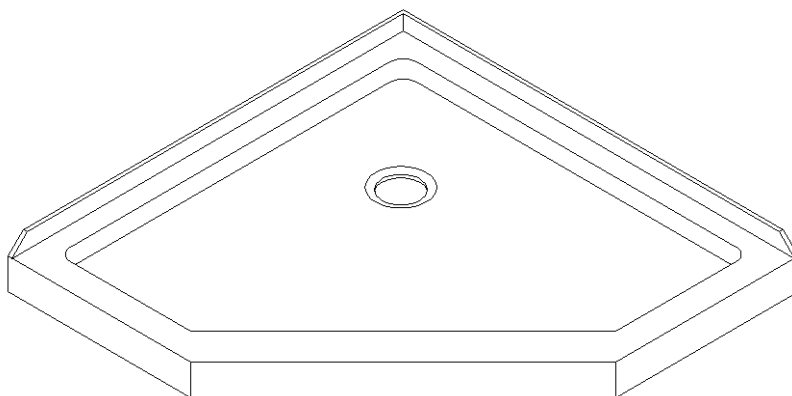
SINGLE THRESHOLD SHOWER BASE

Right-Hand Drain Configuration



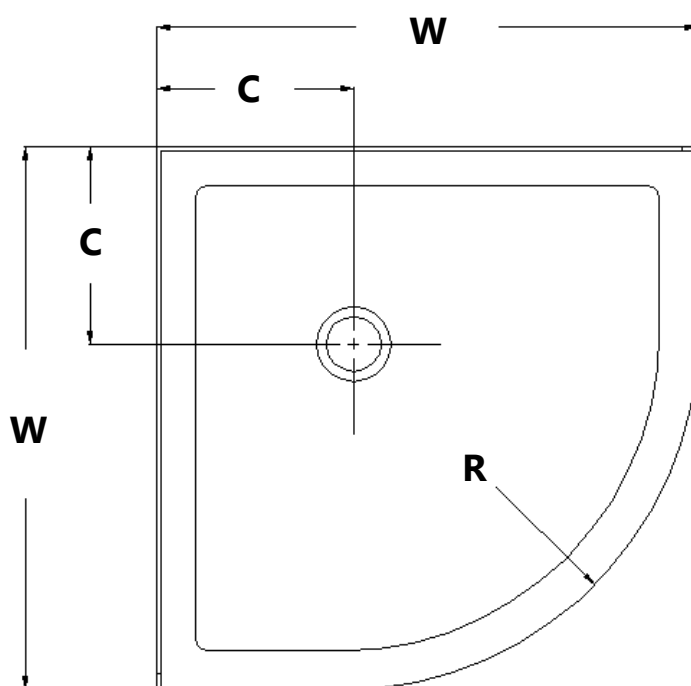
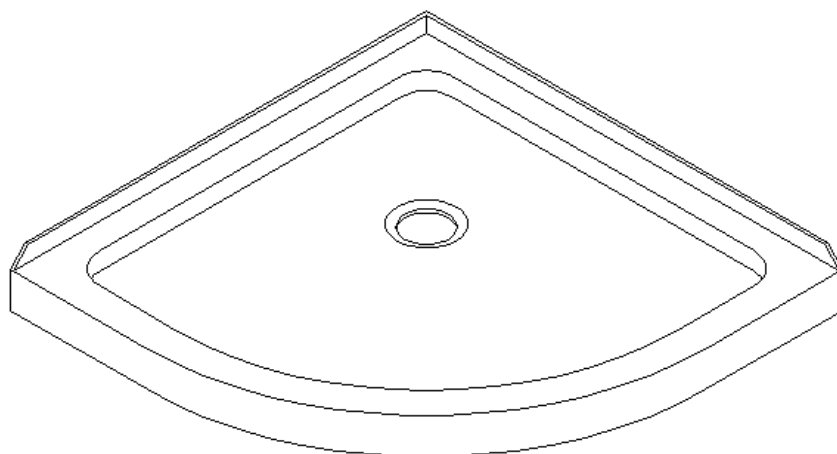
MODEL	SPECIFICATION	D (in)	W (in)	D1 (in)	W1 (in)
DLT-1130602	30"×60"	30"	60"	15"	12"
DLT-1132602	32"×60"	32"	60"	15"	12"
DLT-1134602	34"×60"	34"	60"	17"	12"
DLT-1136602	36"×60"	36"	60"	18"	12"

NEO ANGLE SHOWER BASE



MODEL	SPECIFICATION	W (in)	A (in)	B (in)	C (in)
DLT-2036360	36"×36"	36"	18 5/16"	25"	12"
DLT-2038380	38"×38"	38"	20 5/16"	25"	12"
DLT-2040400	40"×40"	40"	22 5/16"	25"	14 3/8"
DLT-2042420	42"×42"	42"	24 5/16"	25"	14 3/8"

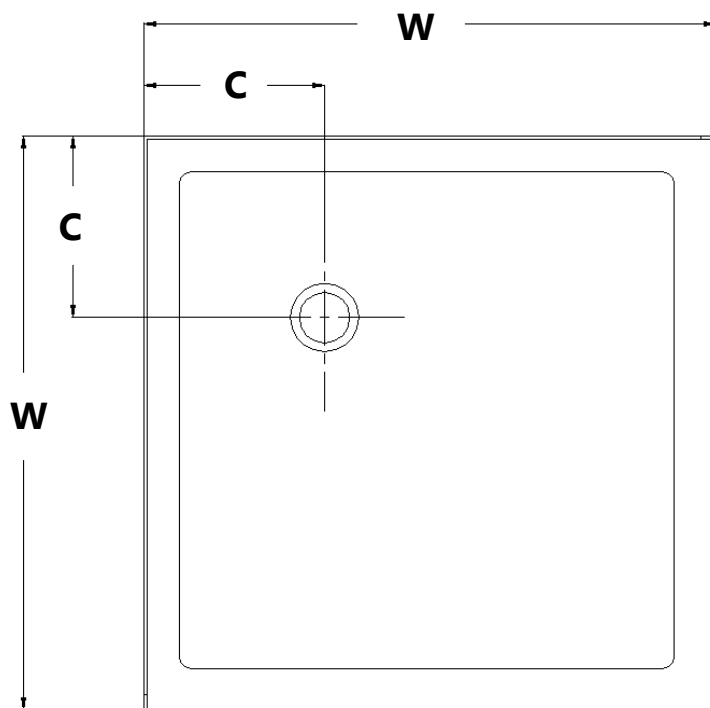
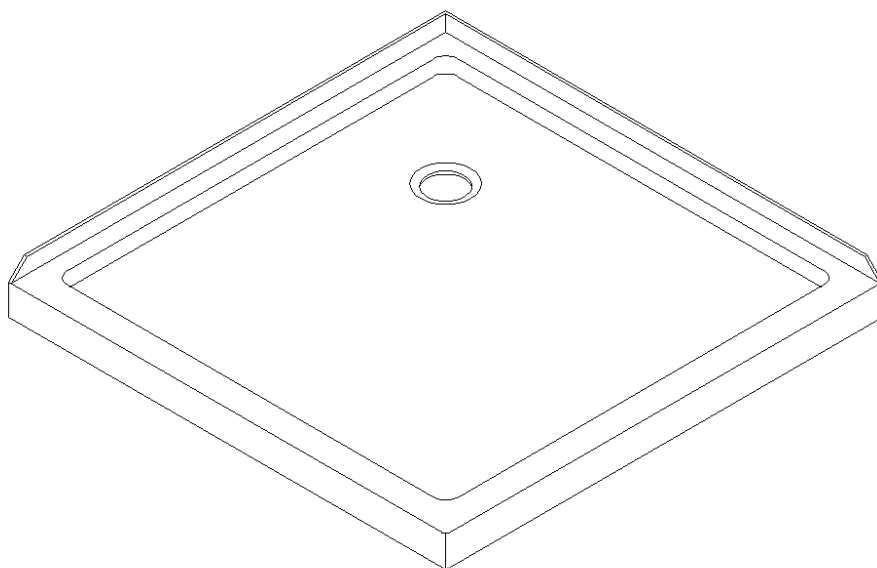
QUARTER ROUND SHOWER BASE



MODEL	SPECIFICATION	W (in)	C (in)	R (in)
DLT-7033330	33"×33"	33"	12"	21 5/8"
DLT-7036360	36"×36"	36"	12"	21 5/8"
DLT-7038380	38"×38"	38"	12"	21 5/8"

DOUBLE THRESHOLD SHOWER BASE

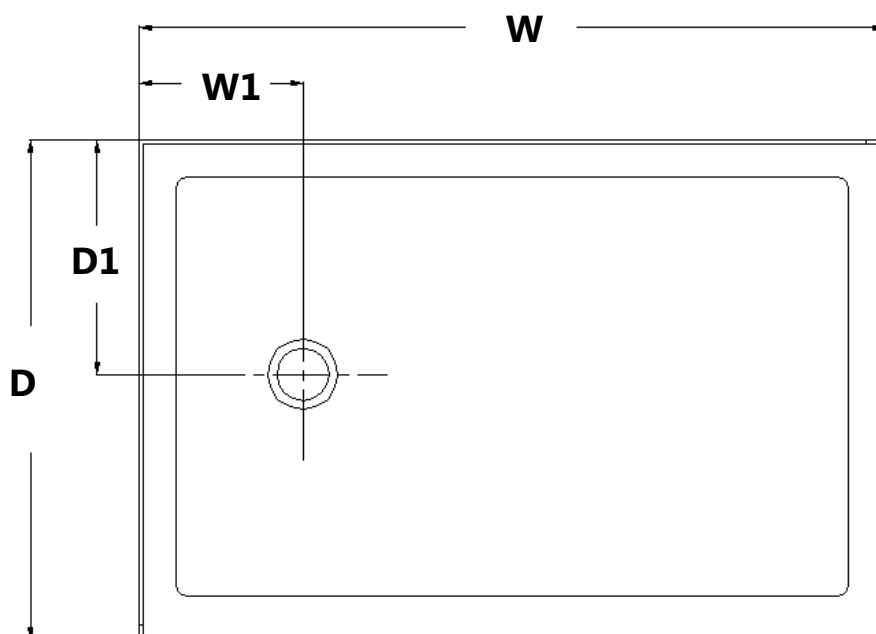
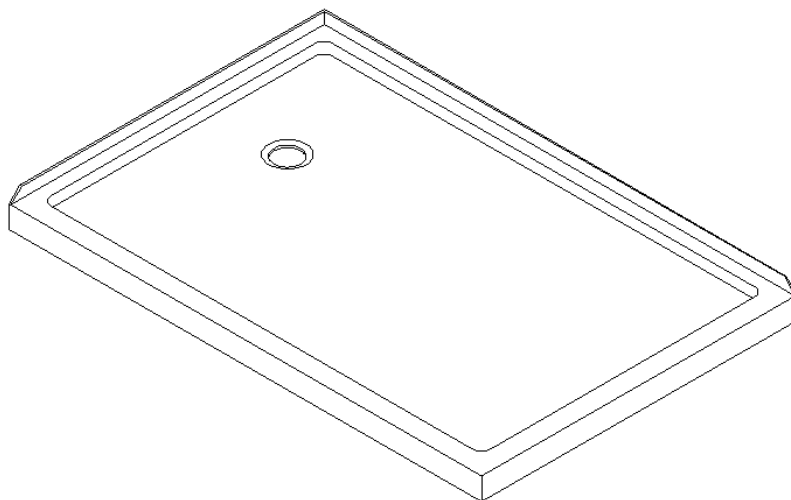
Corner Drain Configuration



MODEL	SPECIFICATION	W (in)	C (in)
DLT-1032320	32"×32"	32"	12"
DLT-1036360	36"×36"	36"	12"

DOUBLE THRESHOLD SHOWER BASE

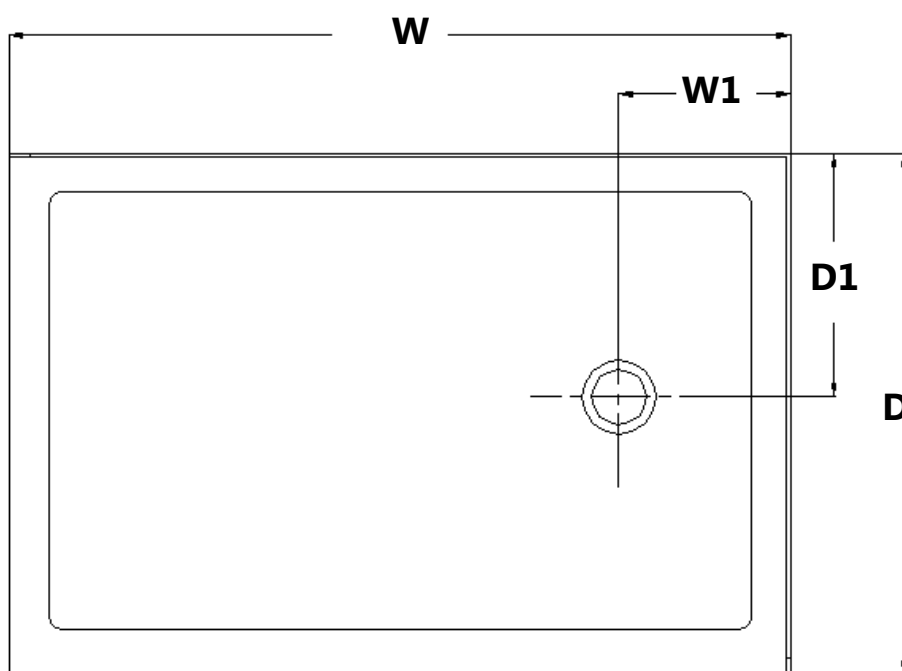
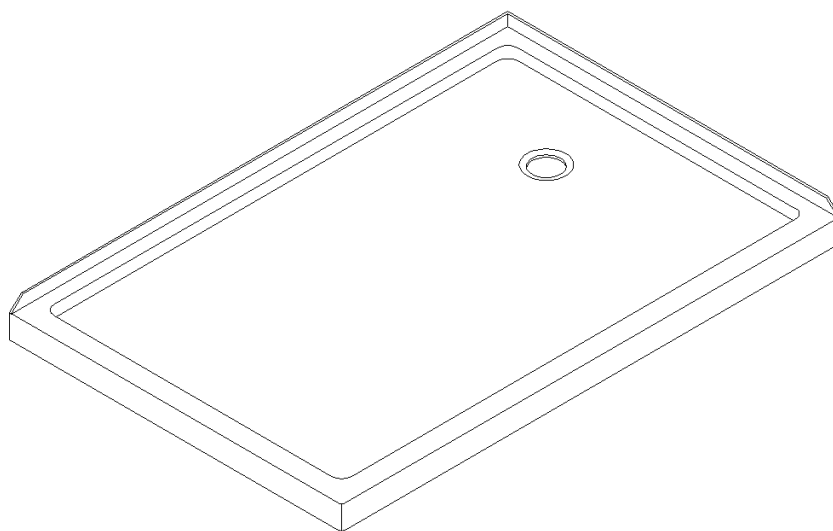
Left-Hand Drain Configuration



MODEL	SPECIFICATION	D (in)	W (in)	D1 (in)	W1 (in)
DLT-1034481	34"×48"	34"	48"	17"	12"
DLT-1036481	36"×48"	36"	48"	18"	12"
DLT-1036541	36"×54"	36"	54"	18"	12"
DLT-1036601	36"×60"	36"	60"	18"	12"

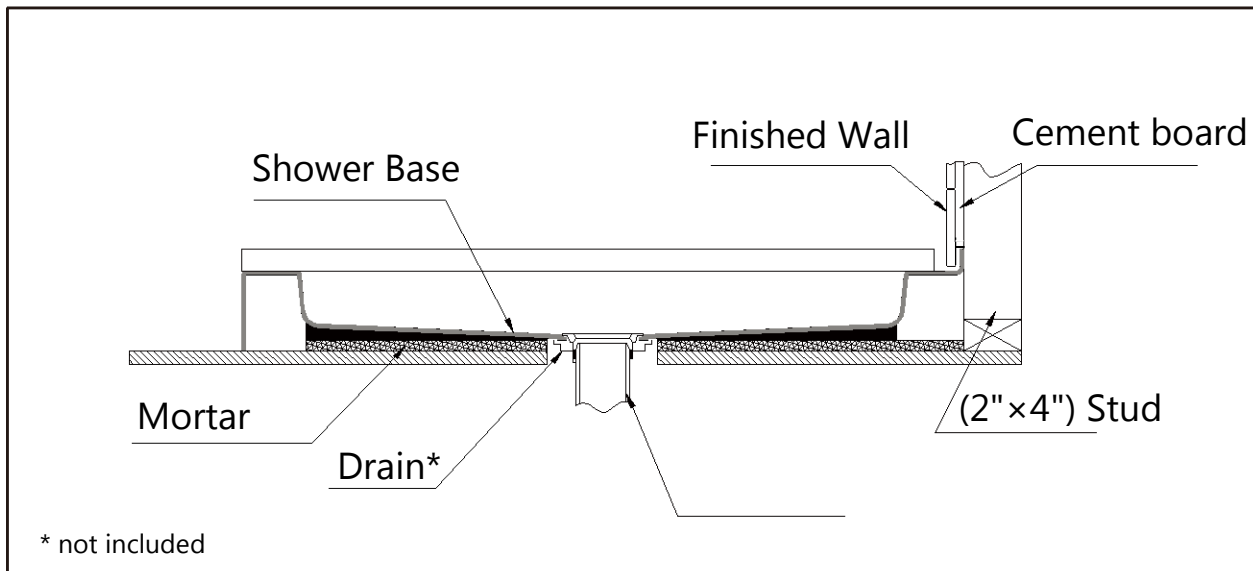
DOUBLE THRESHOLD SHOWER BASE

Right-Hand Drain Configuration



MODEL	SPECIFICATION	D (in)	W (in)	D1 (in)	W1 (in)
DLT-1034482	34"×48"	34"	48"	17"	12"
DLT-1036482	36"×48"	36"	48"	18"	12"
DLT-1036542	36"×54"	36"	54"	18"	12"
DLT-1036602	36"×60"	36"	60"	18"	12"

Shower Base Cross Section Diagram



Shower Base Installation - Preparation

1. Ensure that the floor and the studs are at right angles.
Provide a 5"×5" opening in the sub-floor for the drain.
The 2" PVC waste pipe should extend above the surface of the sub-floor according to the drain installation instructions and the height of the Shower base.
Refer to the product drawings and tables in this installation manual for the drain location.

See Fig. 1 and Fig. 2 for details.

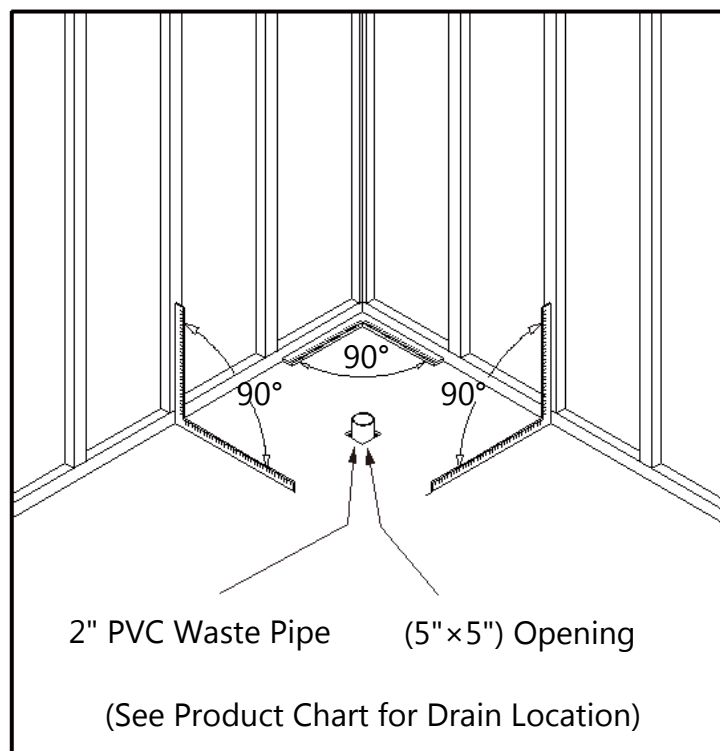


Fig. 1

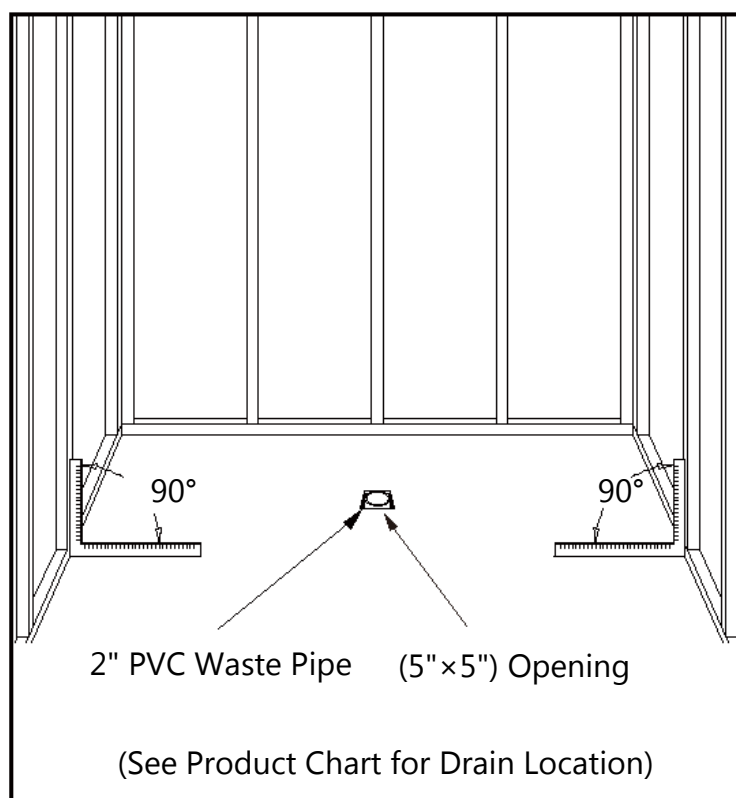


Fig. 2

2. Install the shower drain (**NOT INCLUDED**) according to the drain installation manual (supplied with the drain).

See Fig. 3 for example

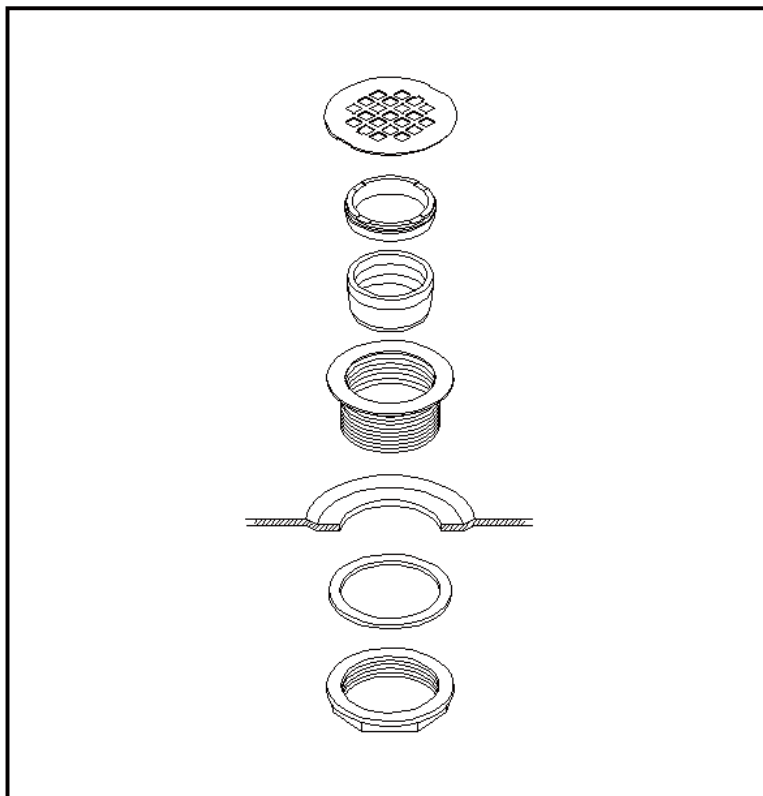
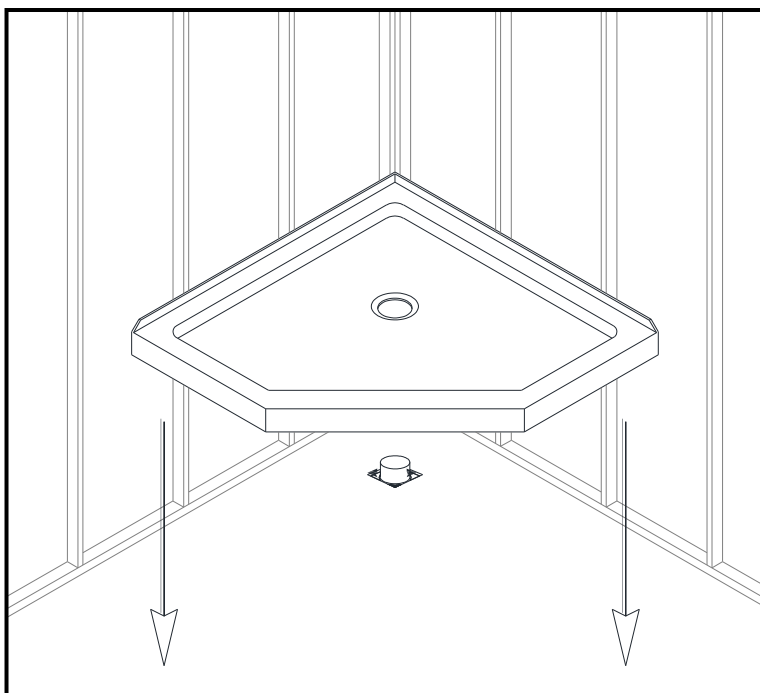


Fig. 3

3. Place the tray into the designated position so that the Drain cutout drops around the Drain Pipe and butt the Shower Base up against the studs.

See Fig. 4 for details.



Lower the base over the drain pipe and set it into place against the studs.

Fig. 4

- Level the tray and place marks on the studs above the upper edge of the tile flange.

See Fig. 5 for details.

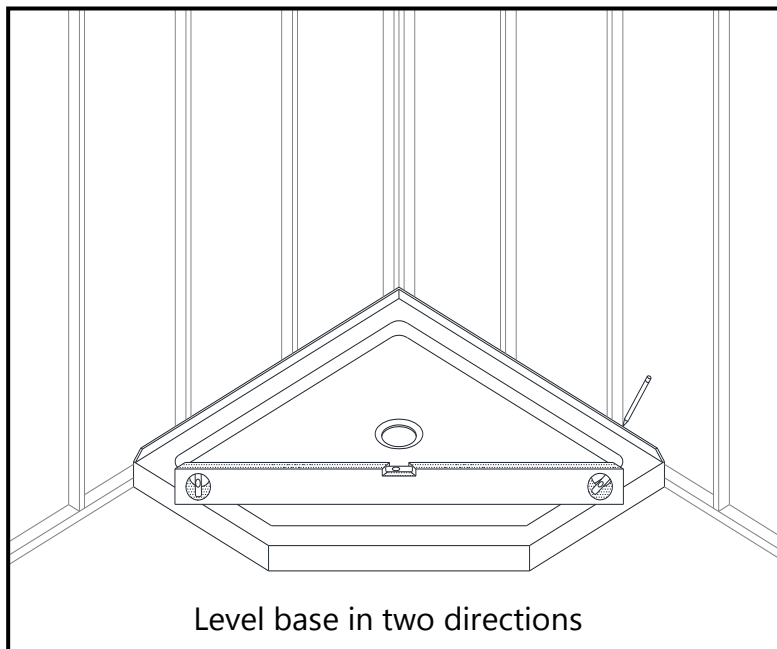


Fig. 5

- Mix the bedding material (Mortar, cement-sand mix, etc.) **Concrete or plaster is not recommended.** Apply enough bedding material to support the entire bottom of the shower base. This will add additional stability and prevent the base from shifting position.

See Fig. 6 for details.

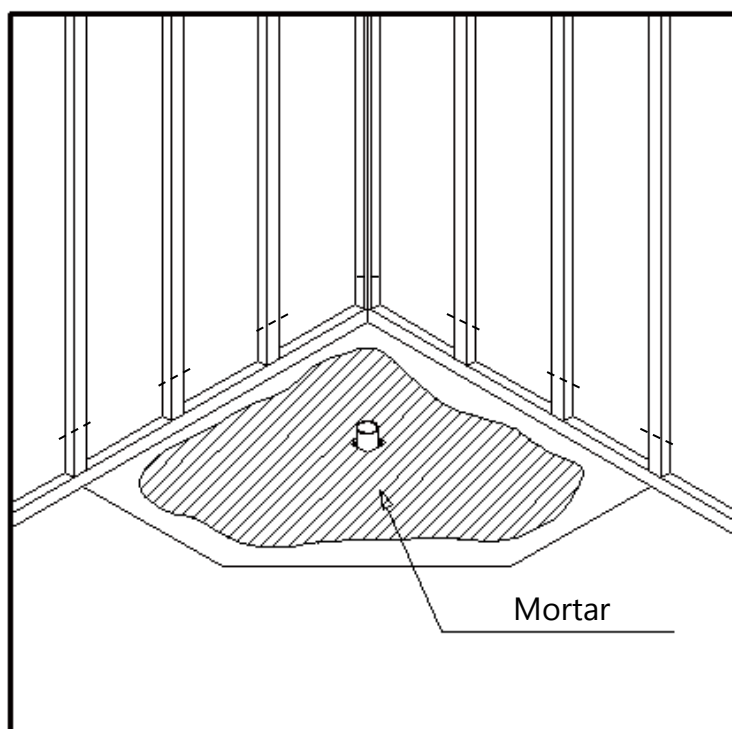


Fig. 6

6. After the bedding material has been poured and *before* it sets, place the shower base into the position with the drain assembly sliding over the PVC waste pipe. It will be necessary to push the shower base until the top of the tile flange aligns with the marks drawn on the studs and the front edge is contacting the rough floor along the entire length of the shower base. Ensure that the base is level in all directions. You may need to use shims to hold the tray level until the bedding fully sets. Remove all excess mortar.

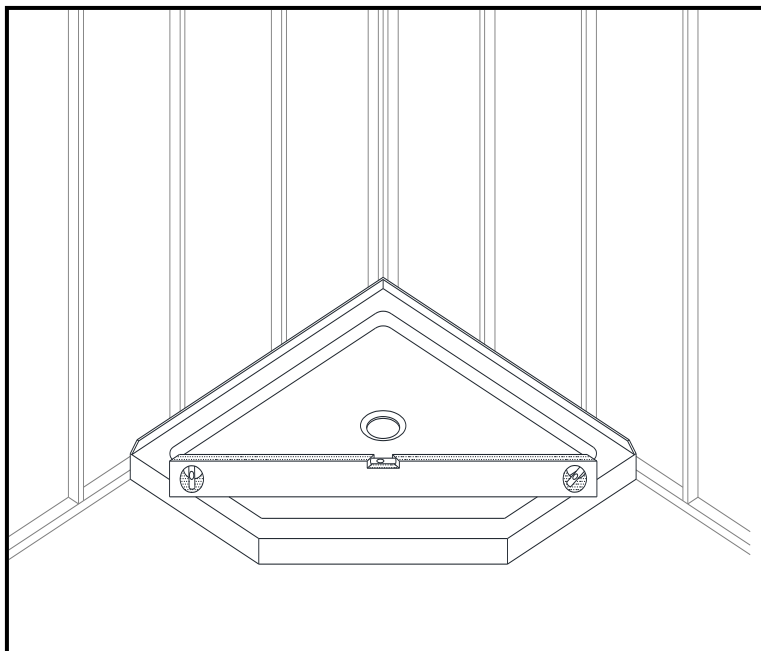


Fig. 7

7. Allow the bedding material to completely harden before applying weight to the bottom of the shower base.

Install the cement board (or the wallboard) above the tile flanges and secure it to the studs. Put the tiles (or other finishing wall material) over the cement board leaving 1/8" gap between the bottom of the tile or wall kit and the shower base. Use caulk to fill the gap.

See Fig. 8 and Fig. 9 for details.

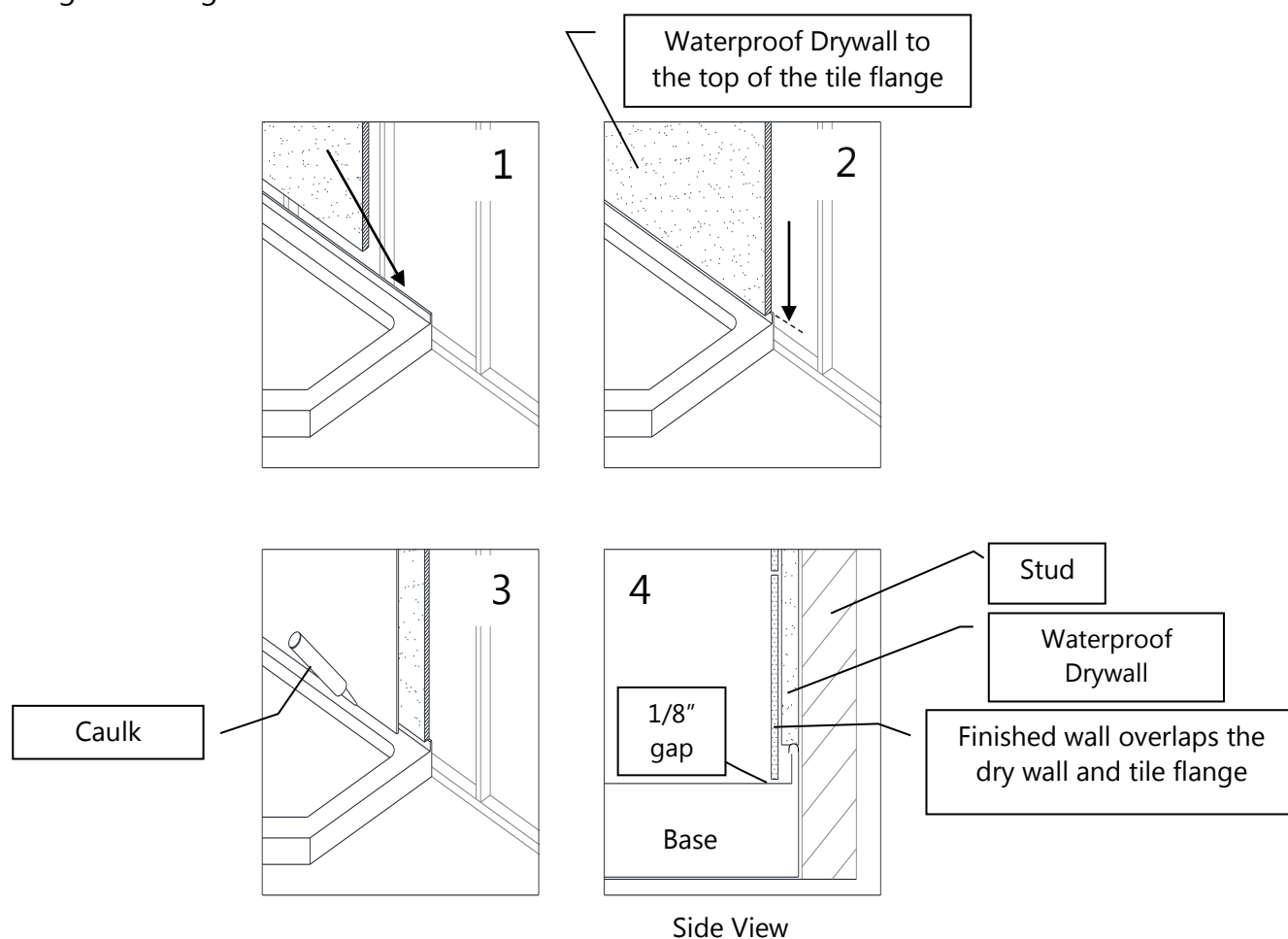


Fig. 8

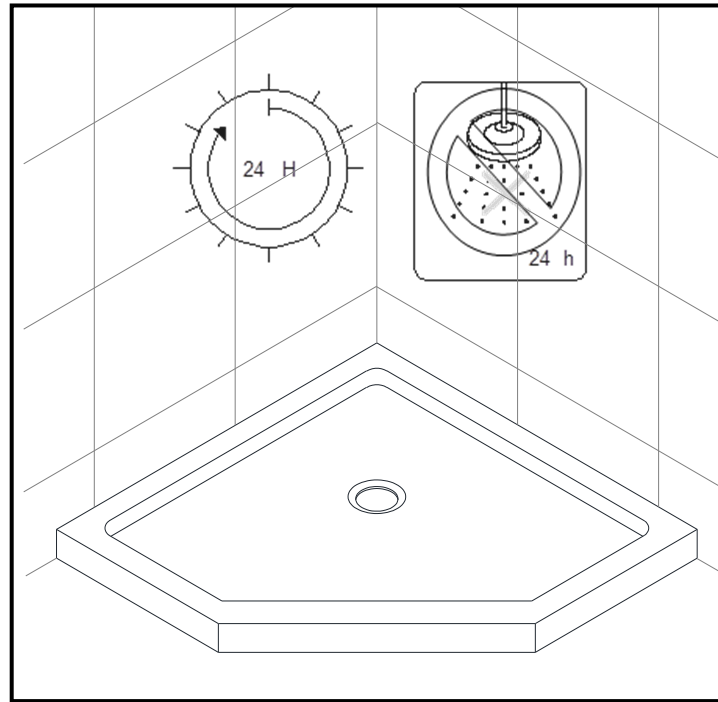


Fig. 9

Product Maintenance

BASES and BACKWALLS: To ensure long lasting life for your acrylic base and/or back walls: wipe them off after each use with a soft cloth. To clean the acrylic base or back walls use non-abrasive sprays or cream based cleaners. Avoid the use of aerosol spray cleaners. Never use abrasive cleansers, metal brushes or scrapers that could scratch or dull the surface.

GLASS: To ensure long lasting life for your glass shower products: wipe them off after each use with a soft cloth. Rinse and wipe off the glass using either a soft cloth or a squeegee to prevent soap buildup and water spots (Hard water can etch the surface of the glass over time if left to dry). To prevent scratching the surface: never use abrasive cleaners or cleaning products that contain scouring agents. Never use bristle brushes or abrasive sponges that may scratch the surface.

HARDWARE: To ensure a long lasting finish: wipe off the metal parts after each use with a soft cloth. Do not use abrasive cleaners or cleaning products containing ammonia, bleach or acid. If accidentally used, rinse the surface as soon as possible to prevent damage to the finish (peeling or corrosion). After cleaning the polished finishes, rinse thoroughly and wipe dry with a soft cloth.

Clean stainless steel surfaces at least once a week. When applying stainless steel cleaner or polish to stainless steel hardware, work with (not across) the grain. Never use an abrasive sponge or cloth, steel wool or wired brush as these may permanently scratch the surfaces.

NOTE: To maximize the life of your door, it is important to regularly inspect the glass and other hardware for misalignment, proper attachment, and/or damage. Contact DreamLine with any questions or concerns.



TEL: [866-731-2244](tel:866-731-2244)

FAX: [866-857-3638](tel:866-857-3638)

DREAMLINE.COM

For more information on [DreamLine[®] Shower Doors](http://DreamLine.com) and [Enclosures](#) please visit DreamLine.com

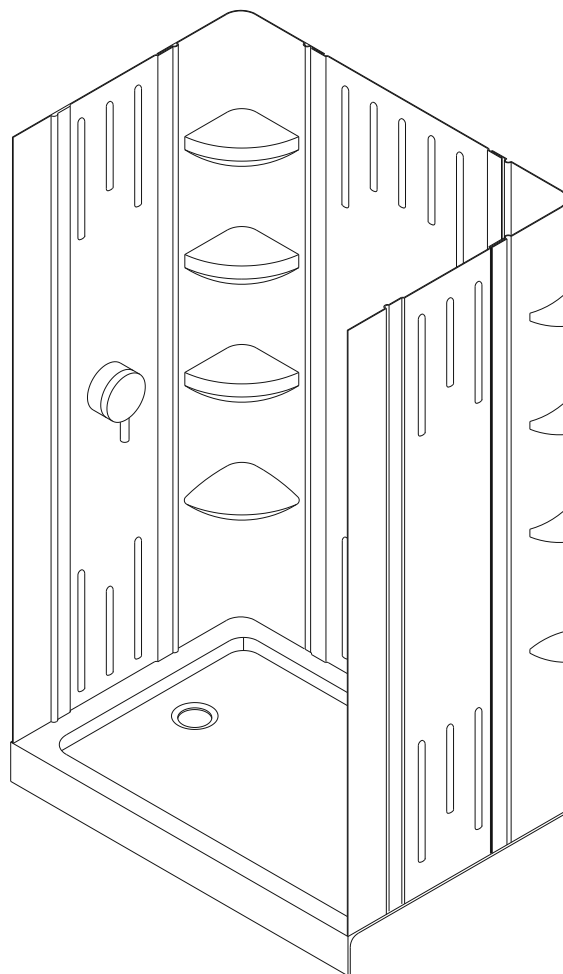


QWALL-3

SHOWER WALL KIT INSTALLATION MANUAL

IMPORTANT

DreamLine™ reserves the right to alter, modify or redesign products at any time without prior notice. For the latest up-to-date technical drawings, manuals or any other details please refer to the support.BathAuthority.com web page.



Please carefully read the instructions before installing. If you have any questions regarding installation, please call our technical support specialists Monday through Friday 9:00 AM – 5:00 PM EST at 1-866-731-8378, ext. 3 or e-mail our technical support group at support@BathAuthority.com.

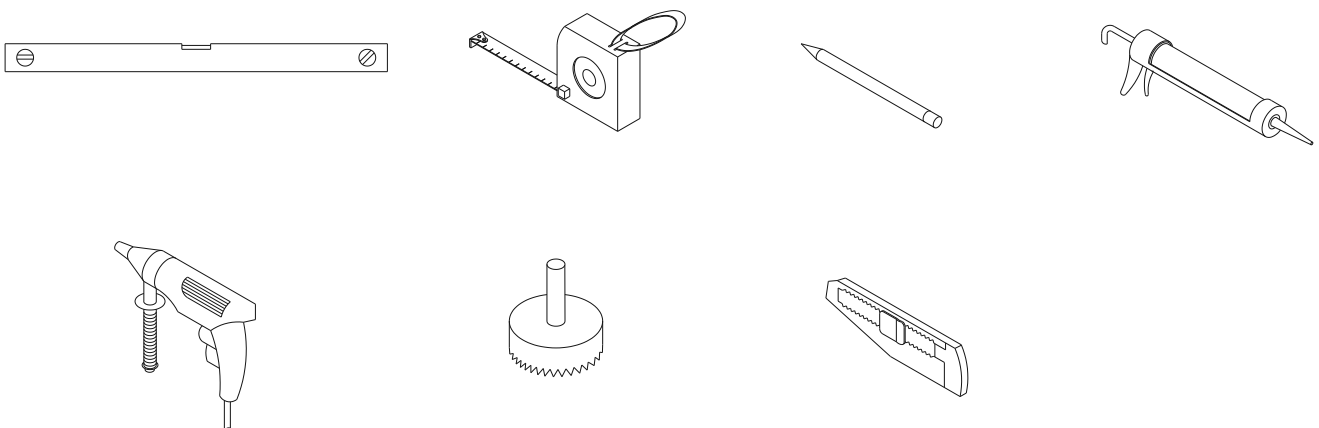
For more information on [DreamLine™ Shower Door](#) and [Tub Door](#) please visit www.BathAuthority.com

Preparation

1. After opening all boxes and packages, read this introduction carefully. Check that all of the needed parts are included in the package, by marking all the components on the "Detailed Diagram of Shower Cabin Components". Examine boxes and packages for shipping damage. If the unit has been damaged, has a finishing defect, or has missing parts, please contact our customer support department within 3 business days of the delivery date. Please note that **DreamLine™ will not replace any damaged products or missing parts free of charge after 3 business days or if the product has been installed.** Feel free to contact DreamLine™ if you have any questions.
2. If this unit is going to be installed in a new construction, please, install all of the required plumbing and drainage before installing the shower. **Use a competent and licensed (if required by local code) plumber for all plumbing installation**
3. **Please note that you should consult your local building codes with questions on installation compliance standards. Building and plumbing codes may vary by location, and DreamLine is not responsible for code compliance standards for your project.**
4. Please insure that prior to the installation the installation surface is leveled and solid and will be able to support the total weight of the unit. Also make sure the walls are at right angles. While some adjustment in leveling of the door is possible, irregular installation surface level or improper angle of side walls will result in serious problems for your installation. Please, note that some adjustments and drilling might be necessary during the installation process.

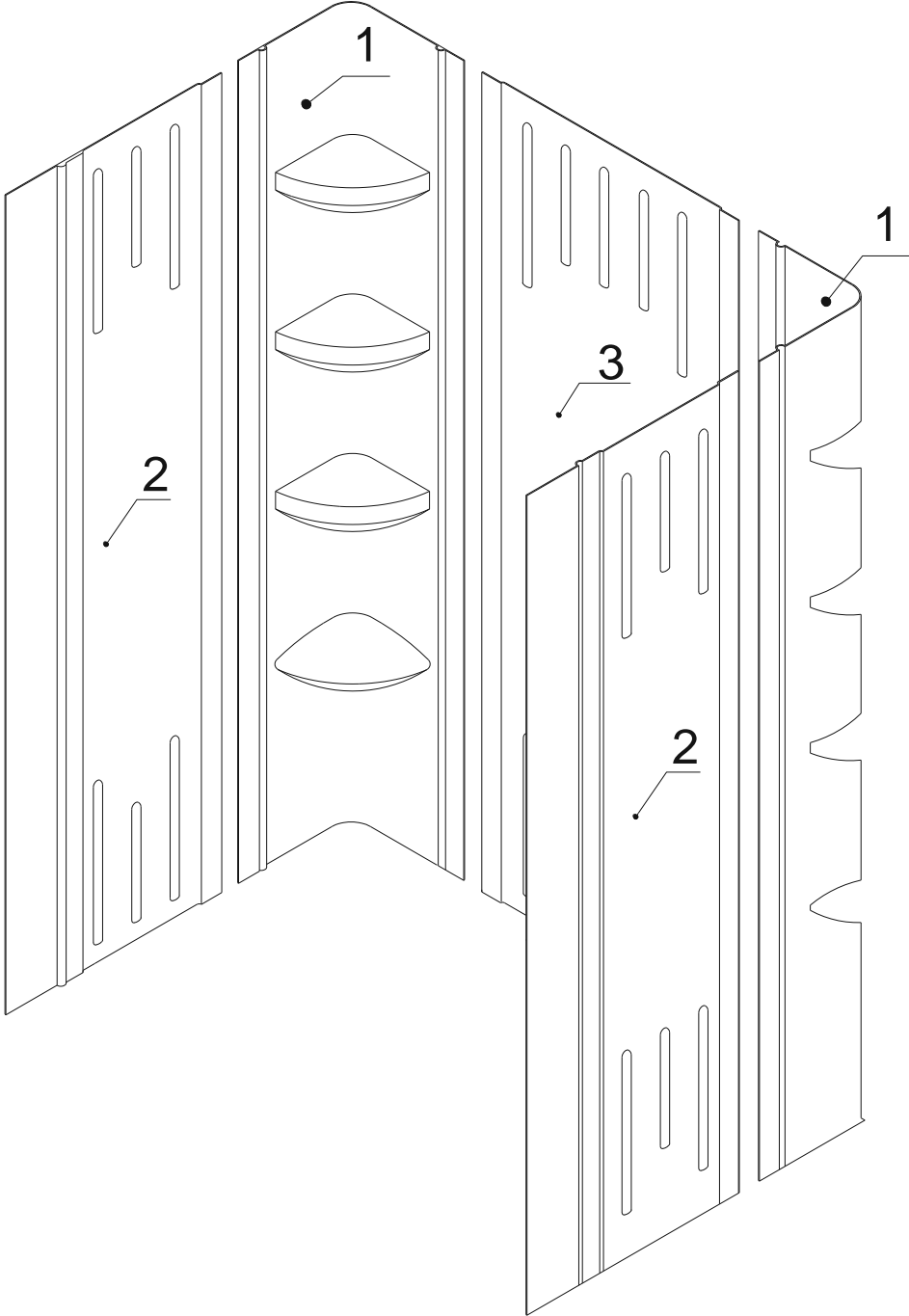
NOTE: Dimensions provided for reference only. You must measure the actual shower tray sizes before installation. Allowed tolerance for center of the drain is $\pm\frac{1}{2}$ ".

Tools Required



NOTE: This acrylic walls system is designed to be installed in the shower enclosure space from 32" up to 40". You can use any adhesive designed for acrylic panels or clear silicone. You may also use Liquid Nails Adhesives LN-915 or LN-715. When you use any adhesive, please, follow the recommendation of the adhesive manufacturer on using their product.

Detailed Diagram of Shower Cabin Components



Packing List

01	Corner Acrylic Wall	2pcs	03	Middle Acrylic Wall	1pc
02	Side Acrylic Wall	2pcs			

NOTE: Unpack your unit carefully and inspect it. Lay it out and identify all parts using the detailed diagram and packing list as a reference. If any parts are damaged or missing, please contact DreamLine™ for replacement.

Acrylic Wall Installation

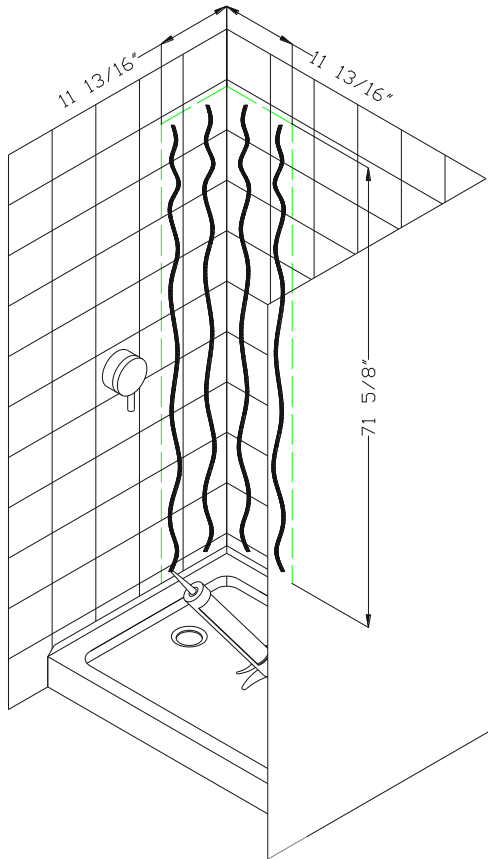


Fig. 1

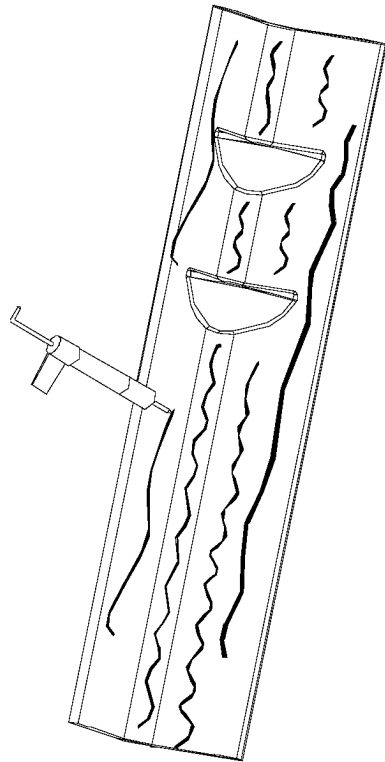


Fig. 2

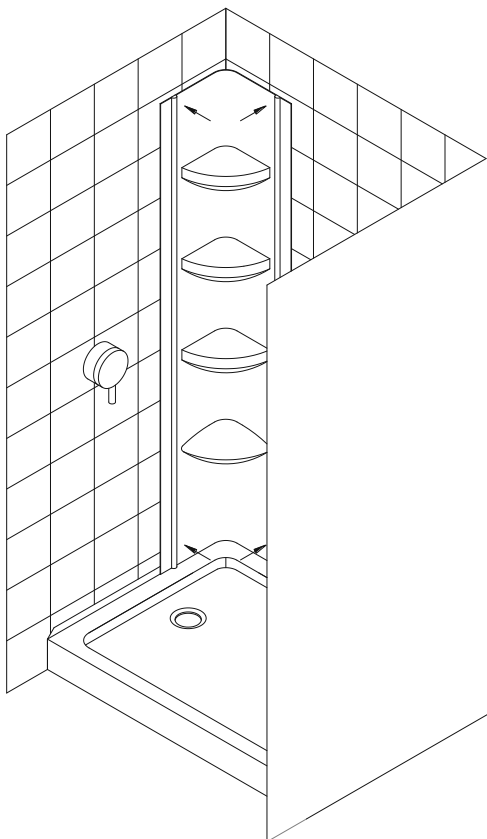


Fig. 3

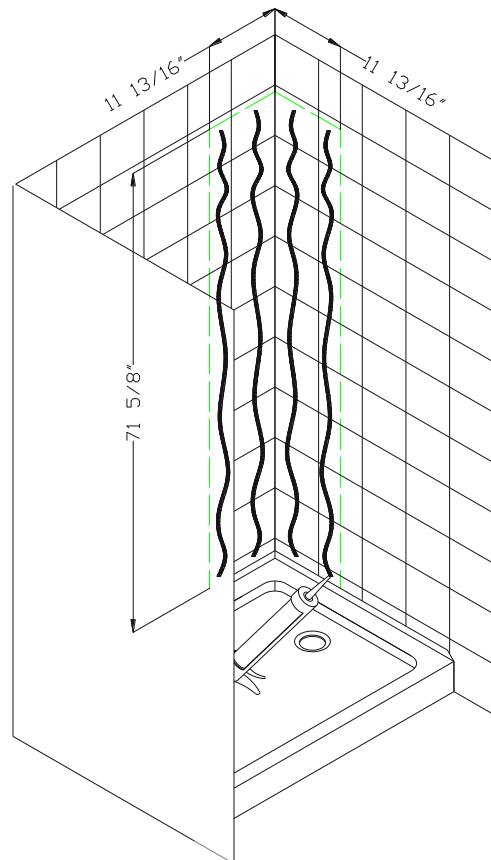


Fig. 4

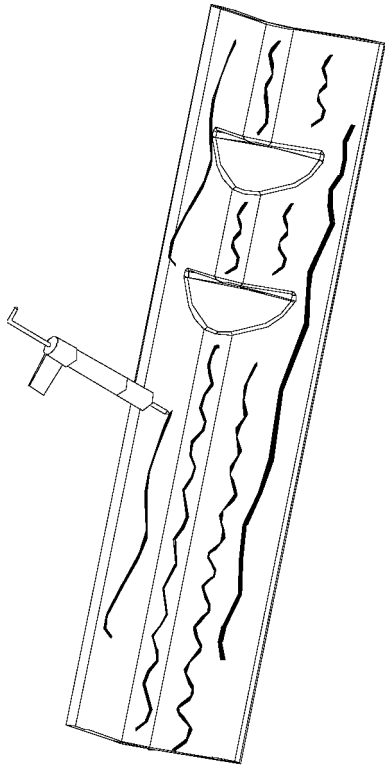


Fig. 5

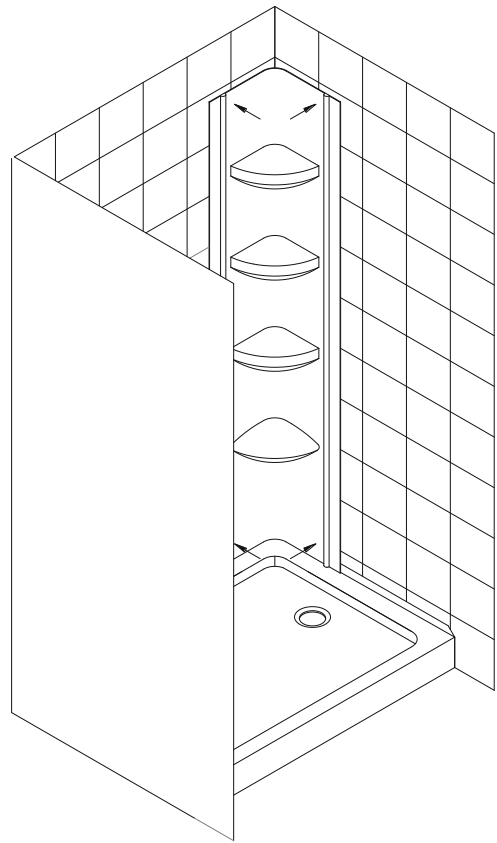


Fig. 6

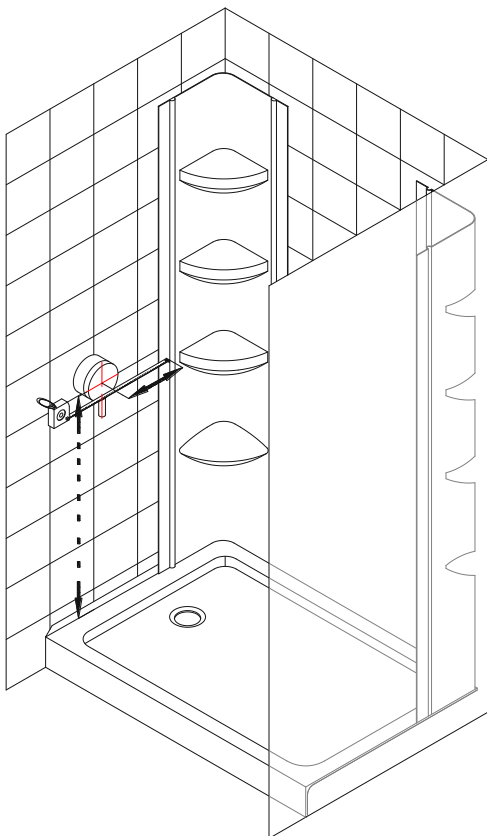


Fig. 7

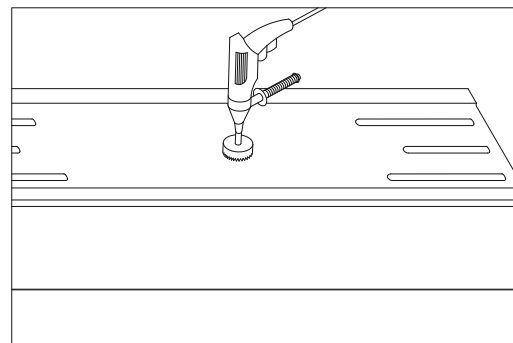
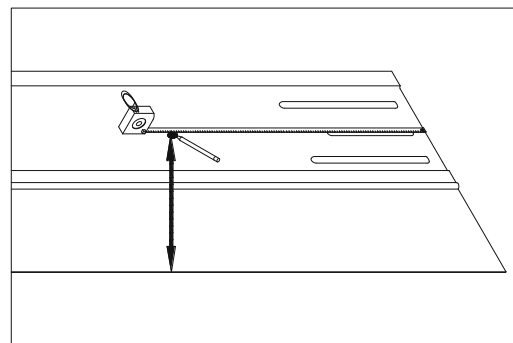


Fig. 8

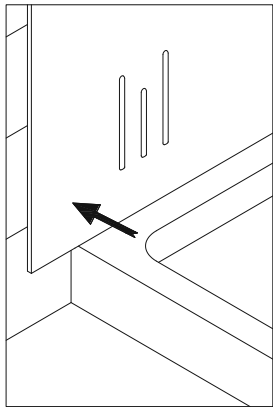
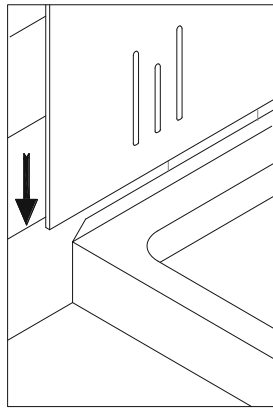


Fig. 9

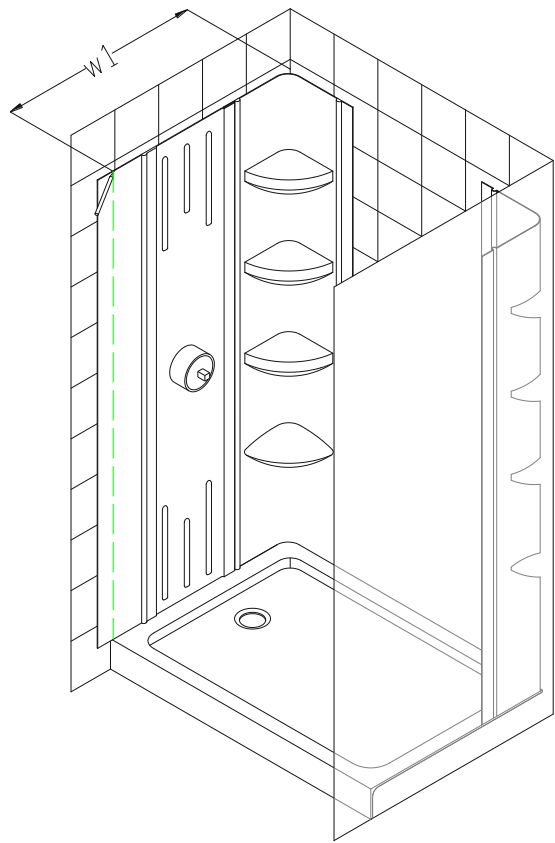


Fig. 10

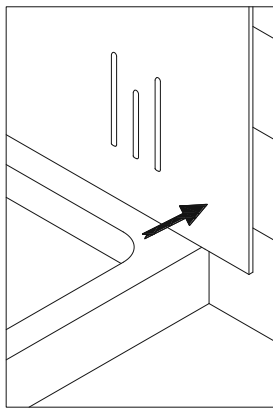
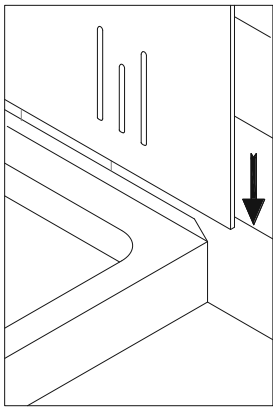


Fig. 11

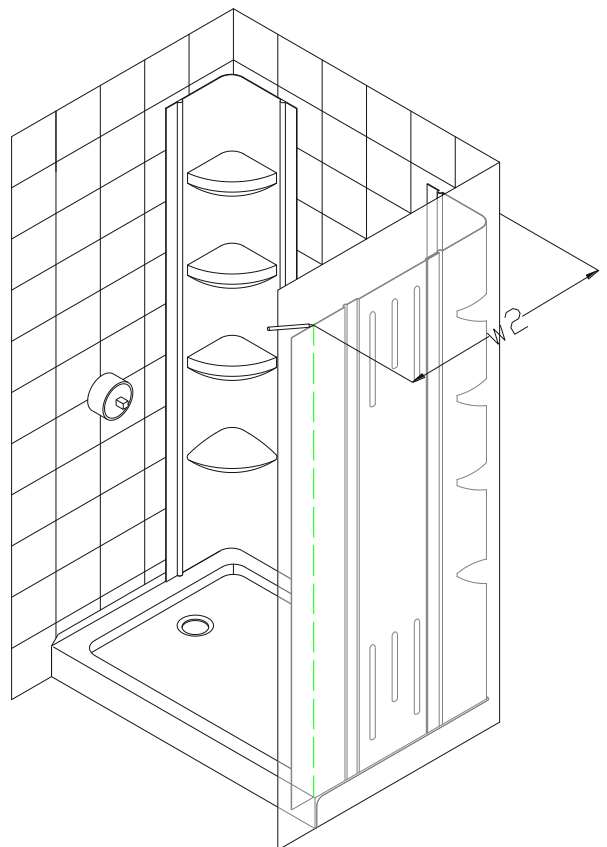


Fig. 12

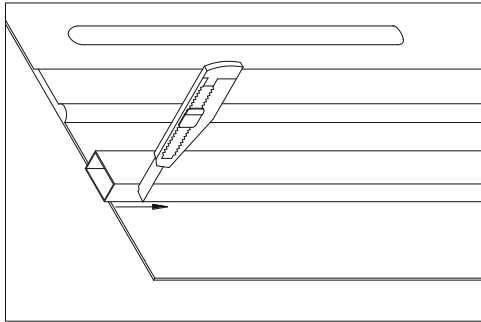
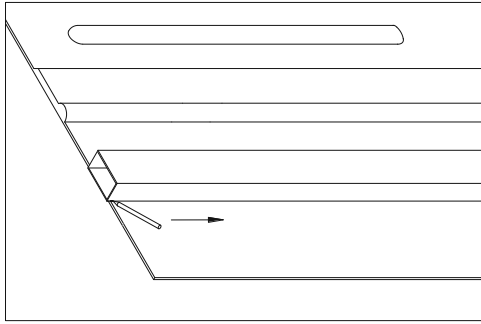


Fig. 13

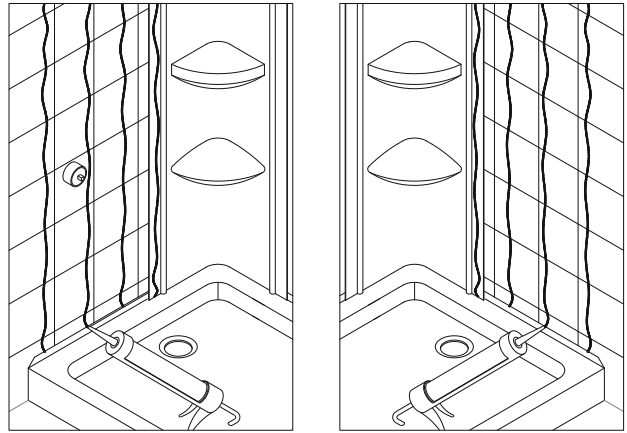


Fig. 14

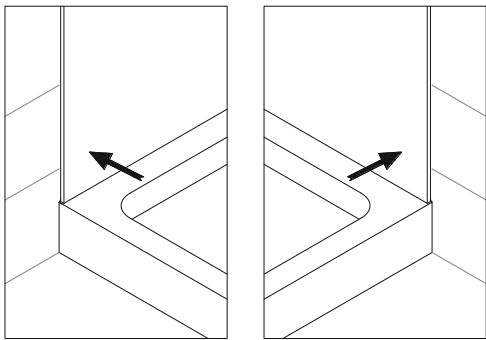
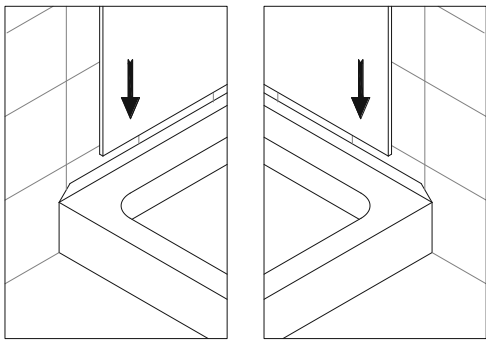


Fig. 15

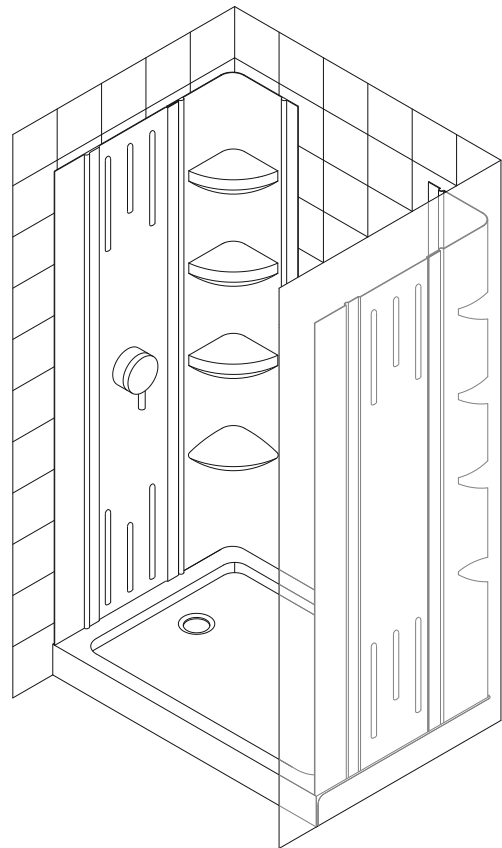


Fig. 16

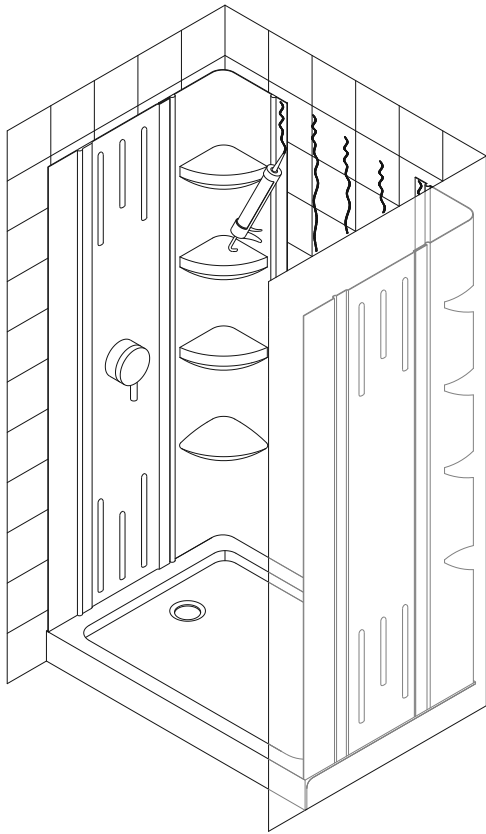


Fig. 17

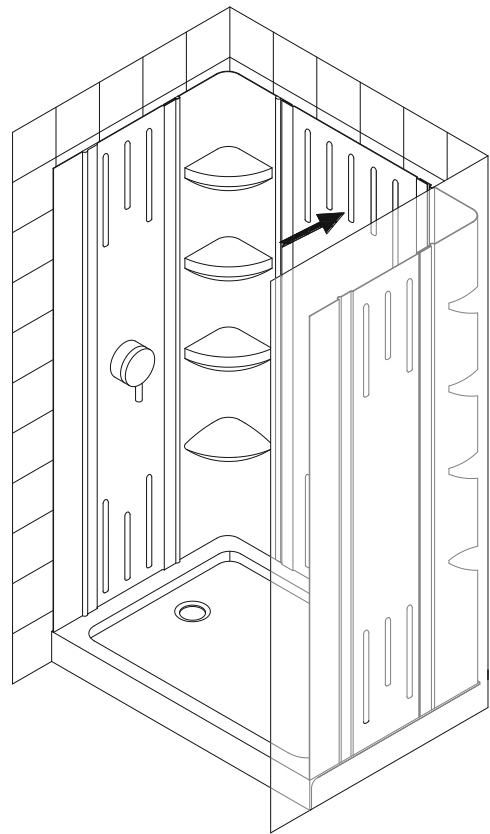


Fig. 18

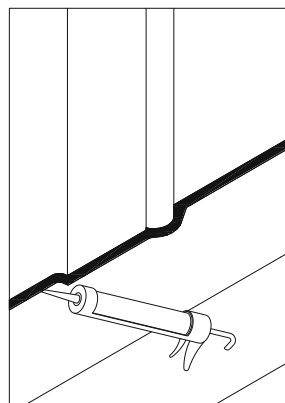
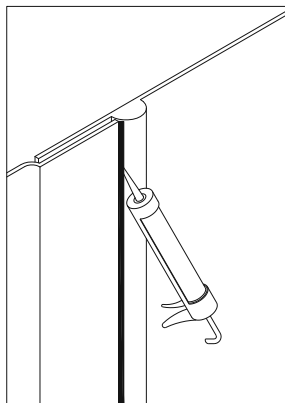


Fig. 19

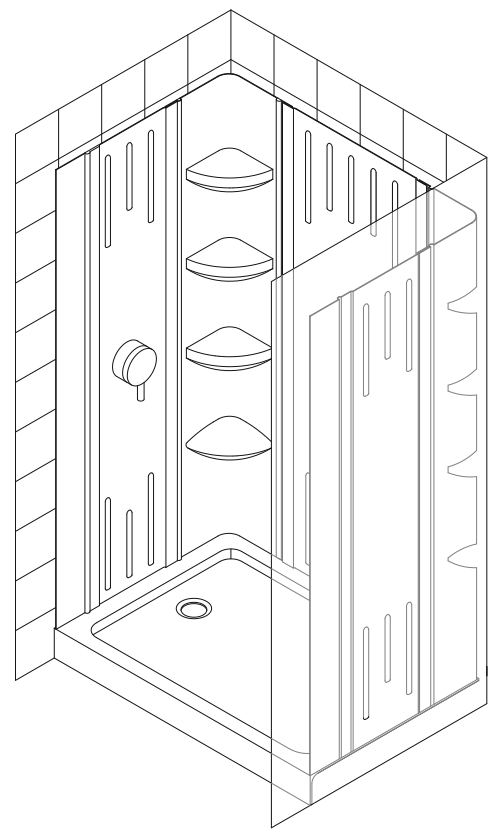


Fig. 20

Product maintenance

To insure long lasting life for your acrylic back walls, wipe them off after each use with a soft cloth. To clean the acrylic back walls use non-abrasive sprays or cream based cleaners. Never use abrasive cleansers, metal brushes or scrapers that could scratch or dull the surface.

To insure long lasting life for your glass shower products, wipe them off after each use with a soft cloth. Rinse and wipe of the glass using either soft cloth or squeegee to prevent soap buildup. Never use abrasive cleaners and cleaning products that contain scoring agent because this may scratch the surface. Never use bristle brushes or abrasive sponges.

To assure a long lasting finish wipe off the metal parts after each use with a soft cloth. Do not use abrasive cleaners or cleaning products containing ammonia, bleach or acid. If accidentally used, rinse the surface as soon as possible to prevent finish peeling or corrosion. After cleaning the shiny finishes, rinse thoroughly and wipe dry with soft cloth. Clean stainless steel surfaces at least once a week. When applying stainless steel cleaner or polish, work with (not across) the grain. Never use abrasive sponge or cloth, steel wool or wired brushes.

DREAMLINE™ EXCLUSIVE LIMITED WARRANTY AS OF MAY 6, 2013

This warranty extends only to the original owner/end-user for household use only and is not transferable to a subsequent owner. This warranty extends for a designated period of time, so long as it remains in use in its original place of installation. This warranty applies only to DreamLine products purchased from an authorized dealer in United States or Canada. Proof of purchase (original sales receipt) from the original consumer purchase must be provided with all warranty claims.

IN NO EVENT SHALL THE LIABILITY OF DREAMLINE EXCEED THE PURCHASE PRICE OF THE UNIT.

DreamLine products must be installed by a fully insured and licensed professional. Installation of DreamLine product by anyone other than fully insured licensed professionals shall **VOID THE WARRANTY**. DreamLine recommends that such licensed professionals have experience in the installation of bathroom products. Installation of certain products, including, without limitation, glass products (i.e., shower and tub doors) by an inexperienced installer may result in glass breakage and, consequently, cause personal injury or death.

PARTS ONLY WARRANTY

This warranty is extensive in that it covers replacement of all defects. LABOR CHARGES AND/OR DAMAGE INCURRED IN INSTALLATION, REPAIR, OR REPLACEMENT, AS WELL AS ANY OTHER KIND OF LOSS OR DAMAGE ARE EXCLUDED

COMMERCIAL USE AND OTHER EXCLUSIONS

This warranty excludes all industrial, commercial and business usage, whose purchasers are hereby extended a one (1) year limited warranty from the date of purchase for shower and tub doors, a three (3) month limited warranty from the date of purchase for vanities and sinks, with all other terms of this warranty applying except the duration of the warranty.

DREAMLINE JETTED AND STEAM SHOWER CABINS, DREAMLINE SHOWER COLUMNS AND DREAMLINE SHOWER SEATS ARE NOT INTENDED FOR COMMERCIAL USE AND THERE IS NO WARRANTY EXTENDED FOR THESE PRODUCTS FOR COMMERCIAL USE.

DreamLine hereby disclaims all warranties for products sold as dealer or store displays. DreamLine hereby disclaims all warranties for products used outside of the United States or Canada whether expressed or implied, including but not limited to the implied warranties of merchantability and fitness for a particular purpose.

WARRANTY TERMS

DreamLine will, at its election, repair or replace the product found by DreamLine in its sole judgment, to be defective within the warranty period under normal residential use and maintenance. The replacement of a product is limited to supplying a replacement product or part (same as existing or if not available, comparable product). DreamLine warranty obligation shall be discharged upon tender of parts, replacement or repair of the product. Purchaser's refusal to accept the tender terminates all warranty obligations and **VOIDS THE WARRANTY**. Cost of freight for returning products to DreamLine for repairs or replacement under this limited warranty are the responsibility of the customer. Cost of freight associated with shipping of replacement product or parts to the customer may be charged to customer. Any product replaced or repaired during the warranty period will be covered only for the remaining period of the original warranty. In no event will DreamLine be liable for costs of repair or replacement of any installation material, including but not limited to tiles, marble, etc.

DREAMLINE IS NOT RESPONSIBLE FOR INSTALLATION, REMOVAL OR REINSTALLATION COSTS OF ANY PRODUCT REQUIRING WARRANTY SERVICES.

Any modification or alteration of any DreamLine products will void the warranty. DreamLine product installations and repairs must be performed by either a DreamLine authorized agent or a licensed, insured and experienced professional contractor - installation or repairs performed by any other party shall void the warranty. This warranty shall not apply to breakage or damages caused by normal wear and tear, fault, carelessness, abuse, misuse, misapplication, improper maintenance, alteration or modification of the unit, as well as chemical or natural corrosion, accident, fire, flood, act of God or any other casualty. Improper care and cleaning will void the warranty. Use of cleaners containing abrasive cleansers, ammonia, bleach, acids, waxes, alcohol, solvents or other products not recommended for chrome or similar finish, glass or acrylic will void the warranty. For additional product maintenance instructions please refer to product installation manual. DreamLine is not responsible for any issues arising in connection with errors or omissions in information provided on DreamLine's websites. The warranty does not extend to any non-DreamLine plumbing or components installed by installers, end users or by any party other than DreamLine.

THE FOREGOING WARRANTIES ARE IN LIEU OF ALL OTHER WARRANTIES, EXPRESSED OR IMPLIED, INCLUDING BUT NOT LIMITED TO THE IMPLIED WARRANTIES OF MERCHANTABILITY AND FITNESS FOR A PARTICULAR PURPOSE. BATH AUTHORITY LLC ("DREAMLINE") AND/OR SELLER DISCLAIMS ALL LIABILITY FOR SPECIAL, INCIDENTAL OR CONSEQUENTIAL DAMAGES. DREAMLINE IS NOT LIABLE FOR PERSONAL INJURIES OR DEATH TO ANY PERSON OR FOR ANY DIRECT, SPECIAL, INCIDENTAL OR CONSEQUENTIAL DAMAGE, LOSS OF USE, LOSS OF TIME, LOSS OF PROFITS, INCONVENIENCE, INCIDENTAL EXPENSES, LABOR OR MATERIAL CHARGES, OR ANY OTHER COSTS RESULTING FROM THE USE OF ITS PRODUCTS OR PERTAINING TO THE APPLICATION OF THE PRESENT WARRANTY, OR RESULTING FROM THE REMOVAL OR REPLACEMENT OF ANY PRODUCT OR ELEMENT OR PART COVERED BY THIS WARRANTY.

PRODUCT WARRANTY PERIODS

DreamLine is not responsible for product code compliance or for verifying building code restrictions on installation or use and any such compliance is excluded from this warranty. DreamLine reserves the right to modify this warranty at any time - such warranty modifications will not alter the warranty applicable at the time of sale of the products in question. The warranty terms for specific products for consumer (non-industrial, non-commercial, non-business use only) are:

SHOWER BACKWALL, SHOWER CABINS (JETTED & STEAM)

DreamLine warrants shower backwalls and shower cabins to be free from defects in workmanship for a period of one (1) year from initial date of purchase by the owner/end-user, contractor or builder from an authorized dealer.

SHOWER & TUB DOORS, SHOWER ENCLOSURES

DreamLine warrants shower doors, tub doors and shower enclosures to be free from defects in workmanship and materials under normal residential use for a period of five (5) years from the initial date of purchase by the owner/end-user, contractor or builder from an authorized dealer. Warranty for plastic strips shall be limited to one (1) year. Warranty for any part in Oil Rubbed Bronze finish shall be limited to one (1) year.

SHOWER BASES

DreamLine warrants shower bases to be free from defects in workmanship and materials under normal residential use for as long as the original consumer purchaser owns their home in which their product is installed.

SHOWER COLUMNS

DreamLine warrants shower columns to be free from defects in workmanship and materials under normal residential use for a period of one (1) year from the initial date of purchase by the owner/end-user, contractor or builder from an authorized dealer.

SHOWER SEATS

DreamLine warrants shower seats to be free from defects in workmanship and materials under normal residential use for a period of one (1) year from the initial date of purchase by the owner/end-user, contractor or builder from an authorized dealer. Warranty shall be VOID if the shower seat is not professionally installed on a properly reinforced wall.

VANITIES AND VESSEL SINKS

DreamLine warrants bathroom vanities and vessel sinks to be free from defects in workmanship and materials under normal residential use for a period of one (1) year from the initial date of purchase by the owner/end-user, contractor or builder from an authorized dealer.

STATE LAWS AND THIS WARRANTY

Some states/provinces do not allow limitations on how long an implied warranty lasts, or the exclusion or limitation of special, incidental or consequential damages, so these limitations and exclusions may not apply to you. This warranty gives you specific legal rights. You may also have other rights, which vary from state/province to state/province.

WARRANTY SERVICE

The following information will be required for you to file a Warranty claim:

1. Your name, address and telephone number
2. Product model number
3. Brief description of problem (please note that additional information such as photos may be required to fully process your warranty claim)
4. Proof of purchase

You may submit this information by e-mail, mail or fax to:

DreamLine
Warranty Service Center
75 Hawk Road
Warminster, PA 18974
F:1-866-857-3638
T:1-866-731-2244

Warranty@bathauthority.com



TEL: 866-731-8378 – 215-957-1411

FAX: 866-227-9245 – 215-893-1780

WWW.BATHAUTHORITY.COM

For more information on [DreamLine™ Shower Door](#) and [Tub Door](#) please visit www.BathAuthority.com