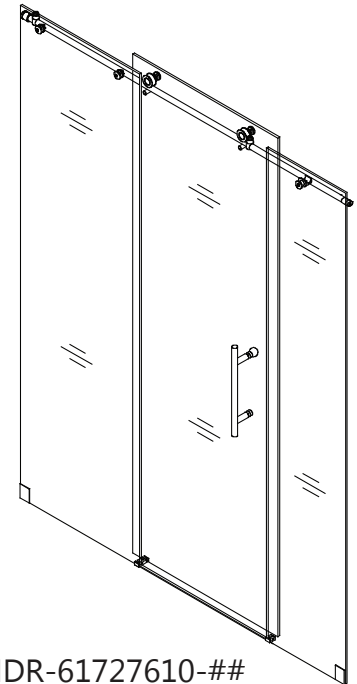
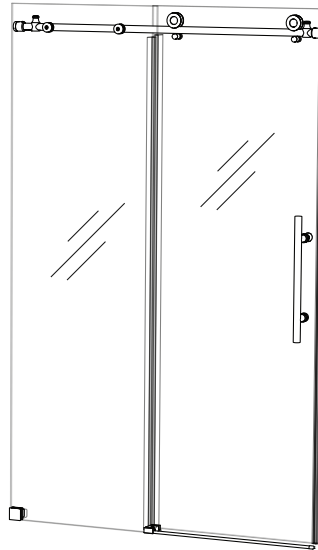
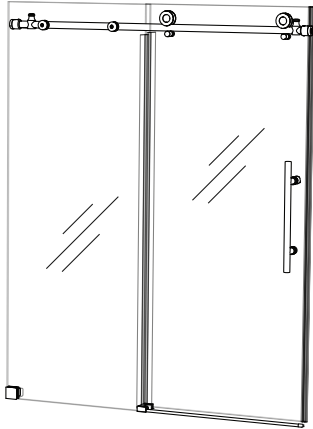




# ENIGMA-X

## SHOWER AND TUB DOOR INSTALLATION INSTRUCTIONS

PLEASE REVIEW THIS ENTIRE MANUAL PRIOR TO INSTALLATION



SHDR-61606210-##

TD61600620VDX##  
TD61600620VDG##

##=finish  
06 - Oil Rubbed Bronze  
09 - Satin Black  
07 - Brushed Stainless Steel  
08 - Polished Stainless Steel  
18 - Tuxedo

D - Double Handle  
G - Smoke Gray Glass

SHDR-61487610-##  
SHDR-61607610-##

SD61480760VDX-##  
SD61600760VDX-##

SD61480760VDG-##  
SD61600760VDG-##

SHDR-61727610-##  
SD61720760VDX-##  
SD61720760VDG-##

\*Right-hand door installation shown

### IMPORTANT!

DreamLine® reserves the right to alter, modify or redesign products at any time without prior notice for the purpose of product improvement and customer experience. Please refer to the model's web page on **DreamLine.com** for the latest technical drawings, installation manuals, warranty information or additional product details.

**Do Not Return Product to the Store. Contact DreamLine® with any questions.**



**Questions?**

Please Call **DreamLine Customer Support: 1-866-731-2244**  
Hours of Operation M-F 8AM - 6PM EST

**Support@DreamLine.com**





**Do not remove ClearMax stickers until glass is installed.**



**This model is treated with DreamLine's exclusive ClearMax® Glass technology. This is a specially formulated coating that prevents the build up of soap and water spots.**

**Install the surface with the ClearMax® label towards the inside of the shower. Please note that depending on the model, the glass may be coated on either one or both surfaces.**

**For best results, squeegee the glass after each use and dry with a soft cloth.**

Record the following purchase information for your records or in the event you need to contact DreamLine®:

Purchase Order Number \_\_\_\_\_

Store/Vendor Purchased From \_\_\_\_\_

Installation Date \_\_\_\_\_

OD Number (optional) \_\_\_\_\_  
\*found on the shipping box or label if available.


Installed By: \_\_\_\_\_

SKU Number \_\_\_\_\_


# Table of Contents

Section Title	Page #
ClearMax® Coating Information	—
Warnings and General Preparation	2
Manual Selection - Single Threshold and Enclosure Return Panel Manual	3
Important Model Information	4
Recommended Reinforcement Information	5
Model Specific Preparation	6
Tools	7
Detailed Diagram 'A' of Shower Door Components & Parts List <b>A</b>	8-10
Detailed Diagram 'B' of Shower Door Components & Parts List <b>B</b>	11-12
Installation Steps	13-39
Guide Block Installation	24,25
Guide Rail Bracket Adjustment	26
Roller Wheel Assembly Adjustment Procedure	31,32
Roller Guards	33
Vinyl Seals & Handle Installation	34-35
Door Stopper Installation	36
SafeStop™ Bumper Installation	37,38
Product Maintenance	40
Troubleshooting	41
Factory Part Information	42-45


## Symbol Legend




**TIP** - for ease of installation.




**CORRECT** - recommended.




**NOTE** - take note of special feature; additional information.



**INCORRECT** - not recommended.

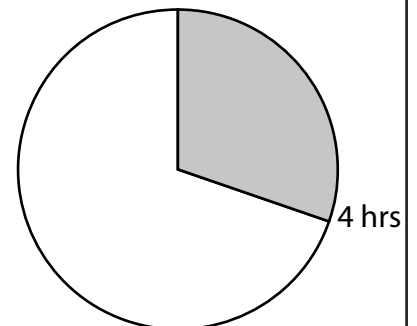


**REQUIRED** - requires special attention; signifies a warning.



**72" MODEL ONLY** - denotes parts and special instruction for the 72" model only. (**Not included with the 48" or 60" model.**)

Average Installation Time





**IMPORTANT**

- DreamLine® reserves the right to alter, modify or redesign products any time without prior notice for product improvement and customer experience. Please refer to the model's web page on [DreamLine.com](http://DreamLine.com) for the latest technical drawings, installation manuals, warranty information or additional product details.
- This product should be installed by someone familiar with the construction requirements for this type of project and the care necessary for the safe installation and operation of the product.
- The safety of any installation is the responsibility of the installer.
- Professional installation recommended. *(All Models)*
- Professional installation required. *(Enigma Series)*
- To prevent damage or serious injury, Do Not lean against the installed panel/door/glass.
- To prevent damage or serious injury: Do Not attempt to lift or move a heavy lite of glass alone. Use an assistant and/or a professional grade glass suction cup.
- The installation of some models may require drilling down into the threshold. Contact the manufacturer of the base, tub, or threshold material with any questions regarding the drilling of holes into their product.
- All drawings in this installation manual are for illustrative purposes only and are not drawn to scale.

**TEMPERED GLASS WARNING**

- Your Shower Door Glass Could Shatter Without Warning if Improperly Installed or Mishandled
- Do Not install or operate a shower door if the glass has chipped corners, slivered edges or is otherwise damaged and/or has been dropped or banged into a hard surface such as tile, marble or glass.
- **The main causes of tempered glass breakage are:**
  - Improper handling, storage or installation
  - Misuse/abuse
  - Lack of maintenance
  - Failure to replace damaged glass
  - **Improper handling during storage, unpacking and installation:**
  - Corners and edges are the most susceptible area to damage on a lite of tempered glass and should be protected and handled with care during storage, unpacking, installation and operation. A concentrated point of pressure or impact with a surface harder than itself may cause the tempered glass to shatter. The tempered glass may release immediately, within several hours or even days later.
  - **Incorrect installation of door hardware, rollers, hinges, channels, stopper or glass:**
  - Improper installation may include: loose hardware and/or lack of proper gaskets between the hardware and glass. Additionally, improper alignment of guide rails, wall profiles or other hardware during installation or operation may place stress on the glass edges and cause it to break.
  - This product must be installed by a professional and experienced installer familiar with the safe handling of tempered glass.
  - **Improper use of this product:**
    - Aggressively opening or closing the door may cause trauma to the glass, which can lead to breakage. This may occur immediately or hours or even days later.
    - **The shower door hardware and glass should be inspected periodically:**
      - Instruct the homeowner how to perform a periodic inspection of the shower hardware and glass - some minor adjustments may be necessary based upon the use (or misuse) of the shower door. Ensure that the hardware remains tight and that the door alignment and operation are correct. Any adjustments should be made upon discovery to prevent damage to the product.
      - Additional considerations should be given to the installation of frameless tempered glass products in households with young children or an elderly person due to an increased chance of improper handling. In such cases, alternatives such as shower curtains or grab bars should be considered.

**GENERAL PREPARATION**

- After opening all boxes and packages, read this introduction carefully. Check that all the items are included in the package by marking off the components on the **"Detailed Diagram of Product Components"** page. Examine all boxes and packages for shipping damage. If the unit has been damaged, has a finishing defect, or is missing parts; please contact our Customer Support department within 3 business days of the delivery date. **Please note that DreamLine® will not replace any damaged products or missing parts free of charge after 3 business days or if the product has been installed.** Please contact DreamLine® if you have any questions.
- **Please note that you should refer to your local building codes with questions on installation compliance standards. Building and plumbing codes may vary by location, and DreamLine® is not responsible for code compliance standards for your project and will not accept any returns.**
- If this unit is going to be installed in a new construction, install all the required plumbing and drainage before installing the shower. **Use a competent and licensed (if required by local code) plumber for all plumbing installation.**
- Make sure that prior to beginning the installation, the surfaces are leveled and solid and will be able to support the total weight of the unit. Also make sure the walls are at right angles. Irregular installation surface level, radius corners or improper angle of side walls will result in serious problems for your installation. Please note that some adjustments and drilling will be necessary during the installation process.
- Protect all primary surfaces of the product during installation. Never set your glass down directly onto a tile floor. Leave corner protectors in place until it is necessary to remove them. Always use a piece of wood or cardboard to protect the bottom edge and corners of the glass prior to and during installation.
- This unit must be installed upon a finished threshold and against finished walls.
- *DreamLine® shower doors are not designed to be installed into a fiberglass surround due to the radius corners and lack of a solid surface to mount the hardware.*

**WARNING: TO AVOID THE RISK OF DAMAGE OR INJURY:**

- **Follow all recommendations and requirements as shown in the installation instructions.**
- Perform a thorough inspection of the glass and all parts for any damage prior to installation. Any damage to tempered glass can cause breakage. **Do Not install damaged glass!**
- Do Not install or operate a shower or tub door if the glass has chipped corners, slivered edges or is otherwise damaged. Do Not install or operate a shower or tub door that has been dropped or banged into a hard surface such as tile, marble or glass.
- **CAUTION:** Contact with any hard surface can damage tempered glass and cause it to shatter.
- This product uses tempered glass. Glass cannot be cut after it has been tempered. **Do Not attempt to cut tempered glass.**
- DreamLine® Glass Shower doors, Tub doors, Inline panels, and Return panels can shatter due to improper handling or lack of maintenance. Conduct periodic inspections of glass and all parts for possible damage, missing or loose parts.
- Always wear proper safety equipment such as: safety goggles, work gloves and appropriate footwear during the installation process.
- **WARNING. Risk of leakage and/or damage.** Follow all instructions regarding the application of silicone sealant or caulk. Allow 24 hours for the sealant to cure before the initial use of the shower or tub product. Follow the silicone manufacturer's recommendations regarding the use of their product.
- **Thoroughly read these instructions before installing or using this product.**
- **Leave this manual for the end-user of the product.**



This product should be installed by someone familiar with the construction requirements for this type of product and the care necessary for the safe installation and operation of the product.



# Manual Selection

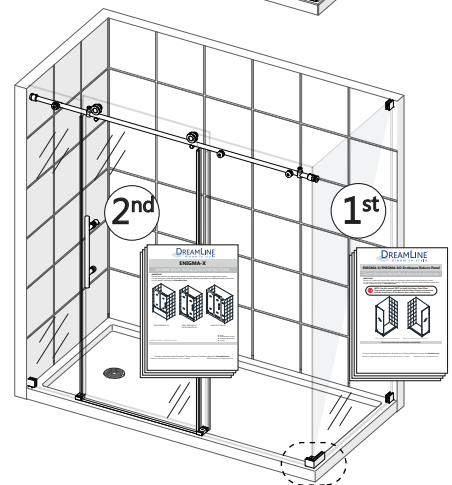
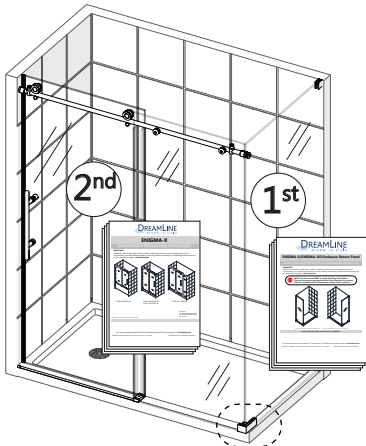
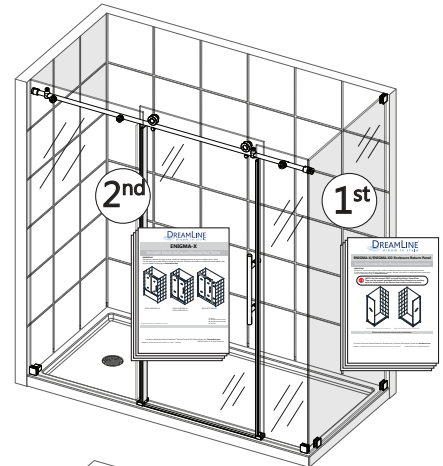
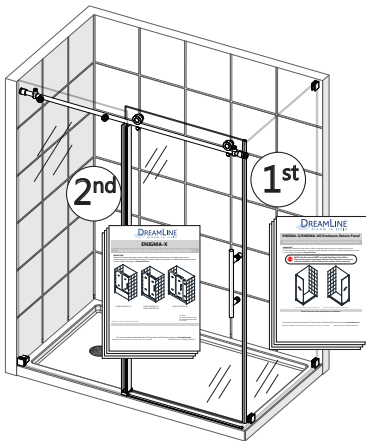
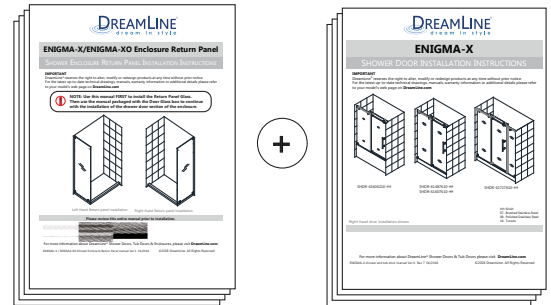


**IMPORTANT!** This manual will describe the installation of the single threshold model of the Enigma-X.

**Use this manual when installing the Enigma-X single threshold model.**



**For the ENIGMA-X Enclosure Installation:**  
**Start with the Enigma-X/Enigma-XO Enclosure Return Panel Manual that is packaged with the return panel glass FIRST for the installation of the return panel glass, then use this manual for the installation of the door section.**



## ENIGMA-X Enclosure

### MODEL #s

- SHEN-6132480-##
- SHEN-6132600-##
- SHEN-6134480-##
- SHEN-6134600-##

## ENIGMA-X Enclosure

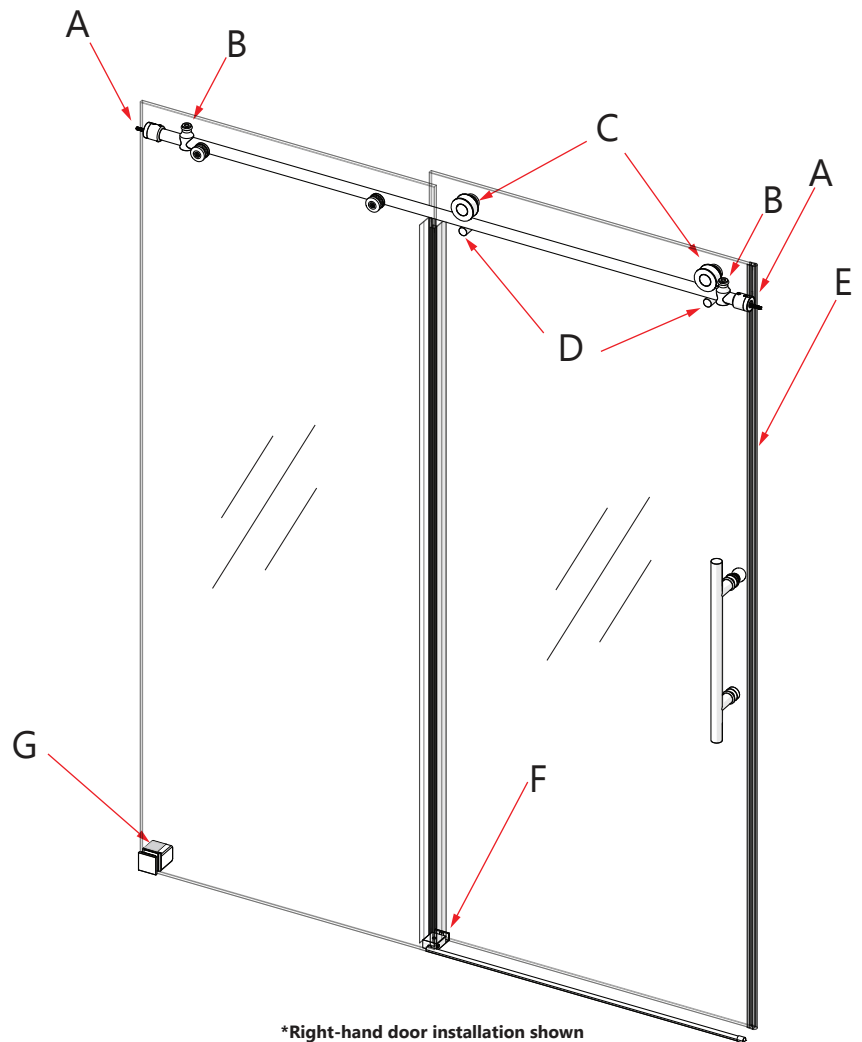
### MODEL #s

- SHEN-6132720-##
- SHEN-6134720-##

## Important Model Information



### IMPORTANT INFORMATION REGARDING THE INSTALLATION OF THIS SHOWER DOOR



\*Right-hand door installation shown

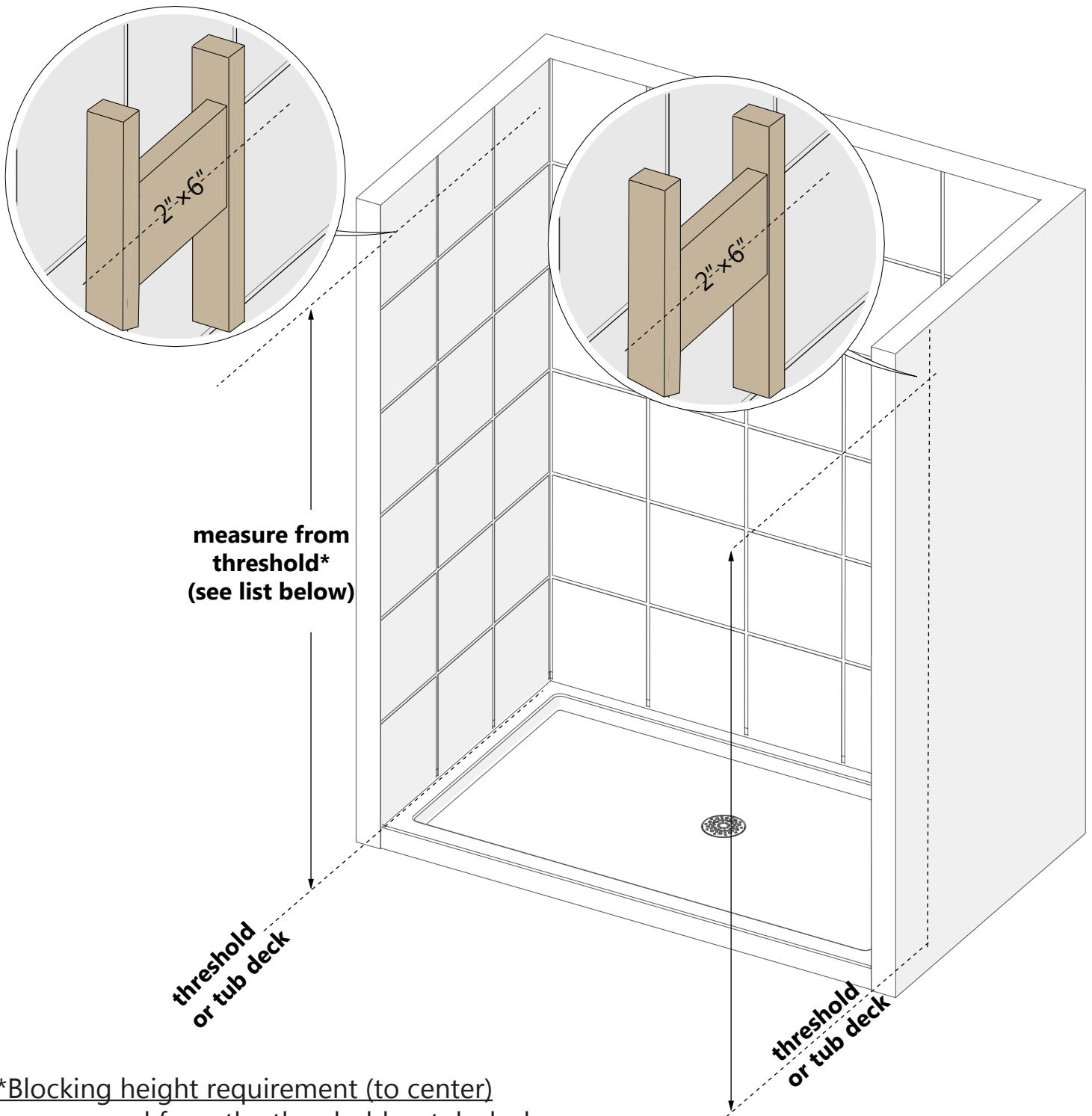
- A Guide Rail Brackets must be firmly attached to the wall.** Installation into a stud is strongly recommended. All of the guide rail bracket set screws must be accessible and tightened.
- B Thread Lock must be applied to the set screws in both stoppers.** Panel-side stopper must be installed into the pre-drilled stopper hole in the upper guide rail. Door-side stopper must be installed at the proper position to prevent the door from contacting the wall.
- C Roller Wheel Assembly safety set screws: must be accessible and must be retightened with Thread Lock during installation.**
- D Roller Guards** must be positioned within 1/16" of the Upper Guide Rail and secured with Thread Lock.
- E Bulb Vinyl Seal** must be installed on the closing edge of the Door Glass.
- F** The **Guide Block** must be screwed to the threshold and installed square with the Panel Glass and Door Glass. Installing the guide block crooked may damage the bottom edge of the Door Glass and lead to breakage.
- G SafeStop™ Bumper** must be secured in position with 3M™ tape or screwed to the wall.

PLEASE READ THE ENCLOSED INSTALLATION MANUAL FOR DETAILS REGARDING PROPER INSTALLATION.

THE LATEST VERSION OF THE INSTALLATION MANUAL IS AVAILABLE TO VIEW OR PRINT ON [DREAMLINE.COM](http://DREAMLINE.COM)

## Recommended Reinforcement Information

Install studs **OR** install 2"x 6" wood blocking between the studs where the Guide Rail Brackets will attach to the wall



measure from  
threshold\*  
(see list below)

threshold  
or tub deck

threshold  
or tub deck

\*Blocking height requirement (to center)  
as measured from the threshold or tub deck:

Enigma Air / Sky = 73" for shower ht / 59" for tub ht

**Enigma-X / XO = 72-1/2" for shower ht / 58-1/2" for tub ht**

Enigma-Z = 73-1/2" for shower ht / 59-1/2" for tub ht

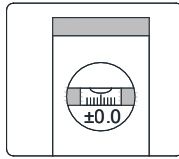
Enigma = 75-1/2" for shower ht only

# Model Specific Preparation

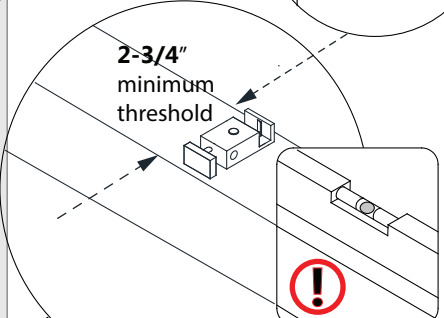
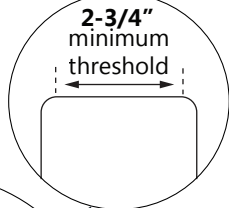
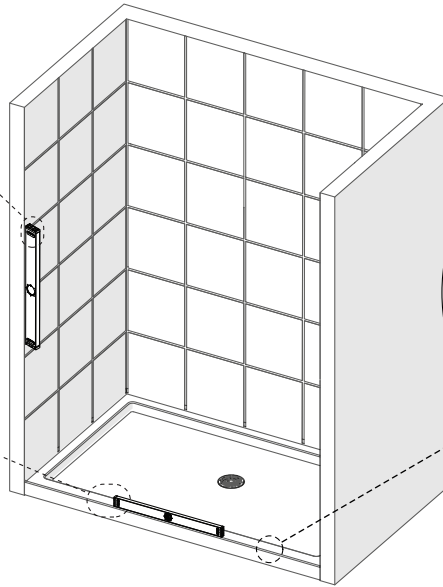
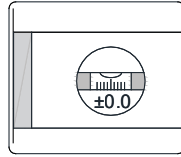


## REQUIRED:

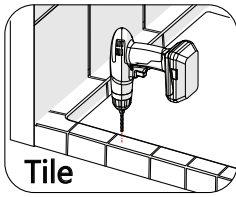
No Out-of-Plumb Adjustment; Verify threshold and walls with a level



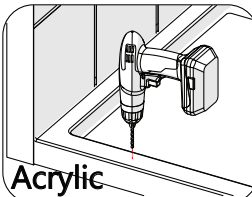
Threshold must be level



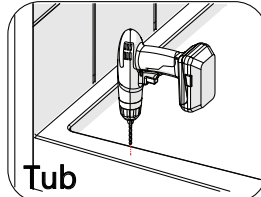
Threshold must be level



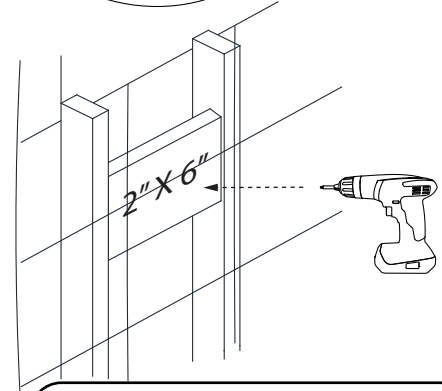
Tile



Acrylic



Tub



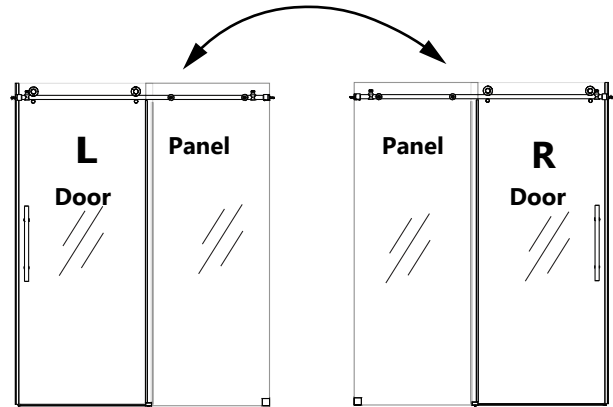
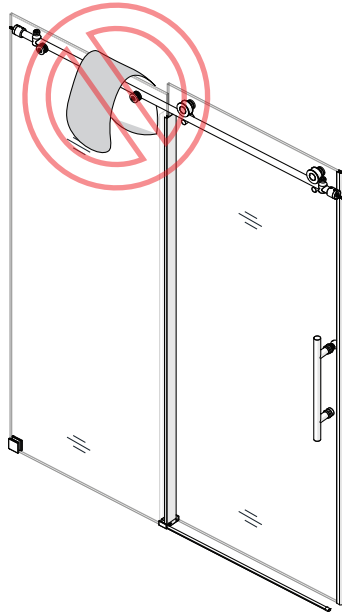
Drilling into a stud or 2x6 wood reinforcement is recommended. \*see page 5 for more information



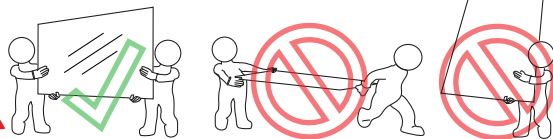
Contact the manufacturer of the base, tub or threshold material with any questions regarding the drilling of holes into their product.



DO NOT hang or drape a towel or wash cloth over the Enigma series guide rail as this may cause the roller assemblies to get stuck and possibly cause serious damage or injury.



This model is reversible for right or left-hand door installation. The right-hand door installation is shown as an example throughout this manual. For the left-hand door installation, simply begin on the opposite wall and reverse the orientation of the steps shown.



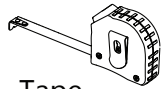
This door requires professional installation. Two installers recommended.



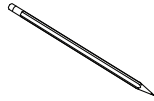
# Tools



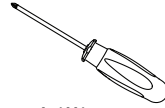
Level



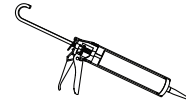
Tape Measure



Pencil



Phillips Screwdriver



Silicone



Power Drill



Drill Bit  
Ø1/8"  
(3mm)



Drill Bit  
Ø3/16"  
(4mm)



Drill Bit  
Ø1/4"  
(6mm)



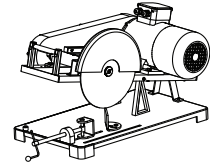
Drill Bit  
Ø5/16"  
(8mm)



Drill Bit  
Ø3/8"  
(10mm)



Soft Head Hammer



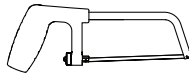
Chop saw\*\*



Safety Glasses



Work Gloves



Hacksaw\*\*



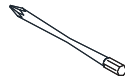
\*\*Use the proper saw blade to cut stainless steel.



Painter's Tape



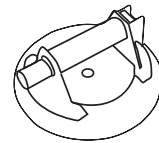
Razor Knife



Extender Driver Bit



#3 Phillips Driver Bit



Professional-grade Glass suction cup



**Threshold must be level; Walls must be plumb.**

**Measure the finished opening before proceeding with the installation to be sure that the correct model size has been ordered.**



**Be sure to cover the shower drain to prevent losing small parts.**

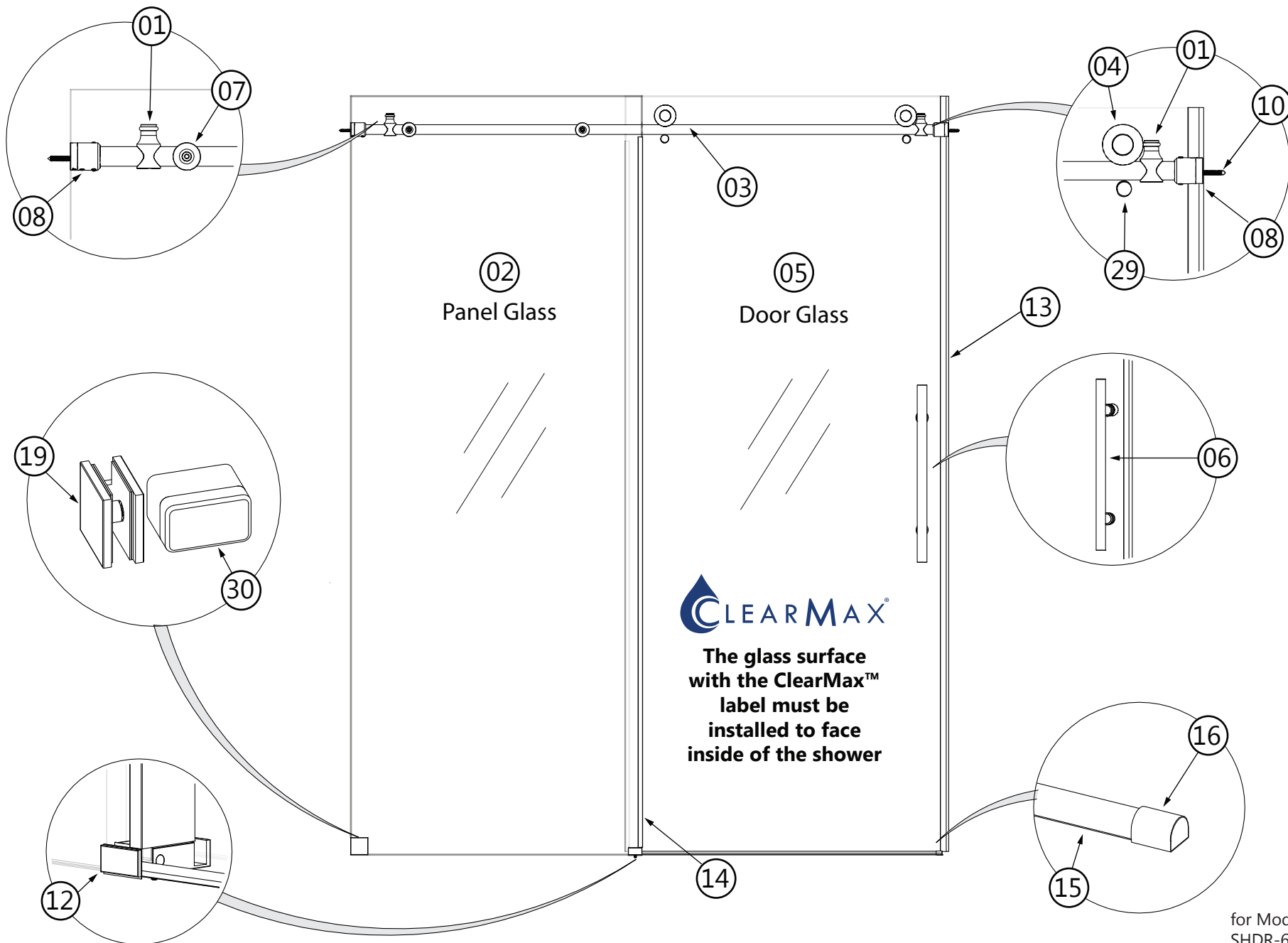


Unpack your unit carefully and inspect it. Lay it out and identify all parts using the **Detailed Diagram(s)** on pages **8** and **11**; and packing list in this manual as a reference. Before discarding the carton, check for small hardware bags that may have fallen to the bottom of the box. If any parts are damaged or missing, please contact DreamLine® for replacement. The shipping boxes may contain extra parts not used in your model configuration. Retain these installation instructions for future reference.



These instructions will show the installation of the shower door. Please follow the same steps for the installation of the tub door.

# Detailed Diagram 'A' of Shower Door Components

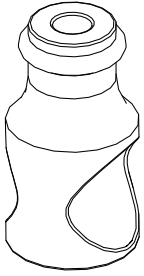


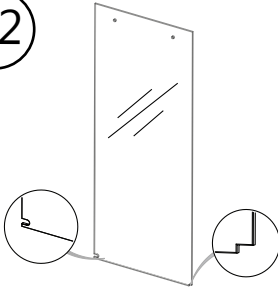
The glass surface with the ClearMax™ label must be installed to face inside of the shower

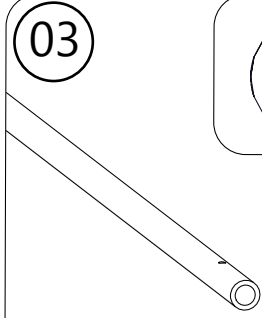
\*Right-hand door installation shown.

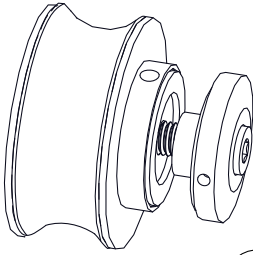
for Model #  
SHDR-61487610-##  
SHDR-61607610-##  
SHDR-61606210-##

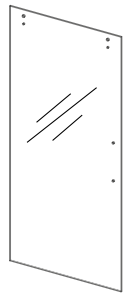
# Parts List A

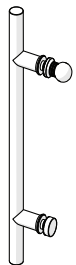
01  **x2**  
Door Stopper

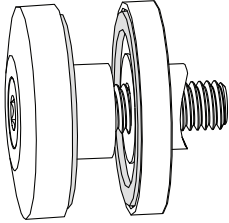
02  **x1**  
Inline Panel Glass

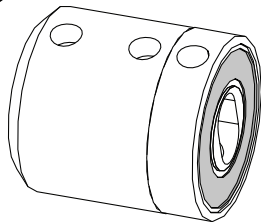
03  **x1**  
Top Guide Rail (for 48" or 60")

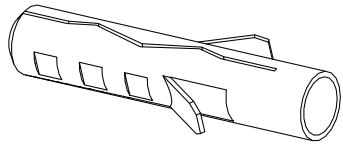
04  **x2**  
Roller Assembly

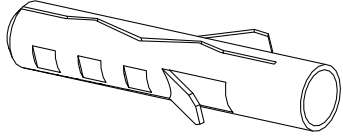
05  **x1**  
Door Glass

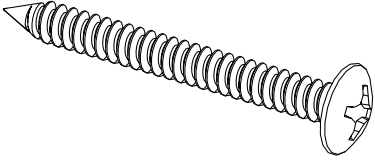
06  **x1**  
Handle

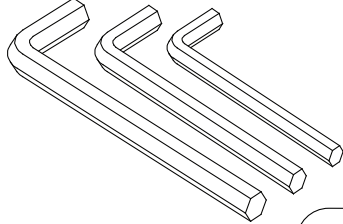
07  **x2**  
Glass-to-Rail Bracket

08  **x2**  
Guide Rail Bracket

09a  **x2**  
Wall Anchor 3/8" (10mm)

09b  **x2**  
Wall Anchor 5/16" (8mm)

10  **x2**  
ST6 x 65  
Large Truss Head Screw

11  **x1set**  
Allen Wrench (3/4/5 mm)

\*All drawings in this manual are for illustrative purposes only and are not drawn to scale.

# Parts List A

12

Guide Block (with caps) x1

13

Bulb Vinyl Strip \*\* x1

14

Vertical Vinyl Strip x2

15

Dam Strip x1

16

Dam Strip End Cap x1

17

ST4.2 x 40  
Pan Head Screw x2

18

ST4.2 x 55  
Truss Head Screw x2

19

Wall Bracket x1

26

Thread Lock Adhesive x1

29

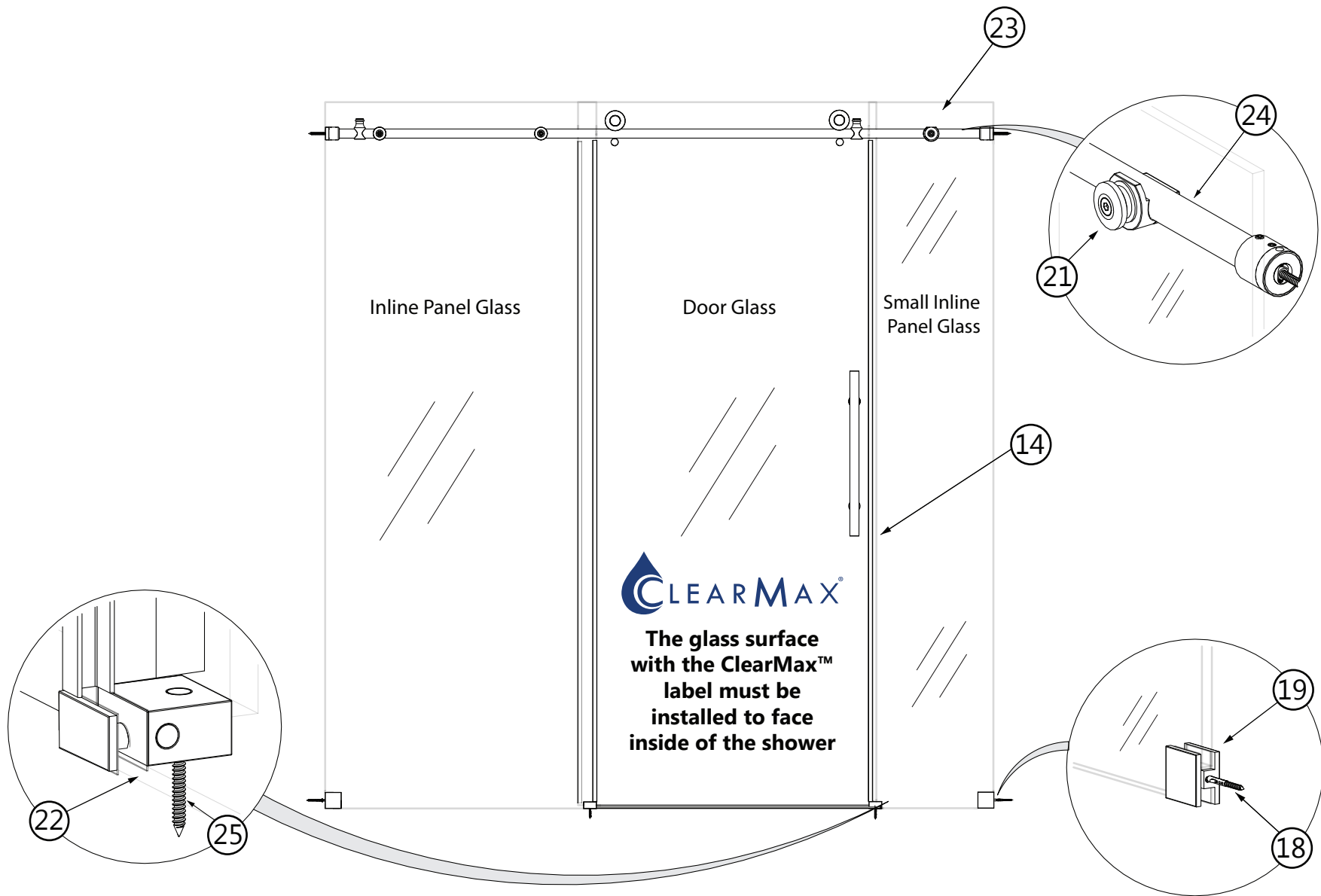
Roller Guard x2

30

SafeStop™ Bumper x1

# Detailed Diagram 'B' of Shower Door Components

**72"**  
MODEL  
ONLY

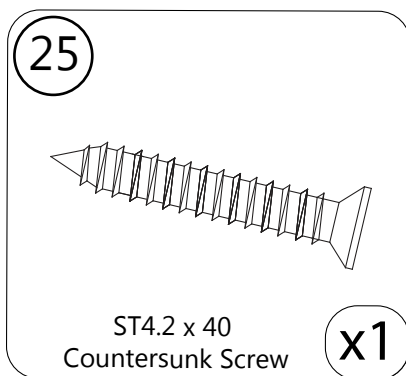
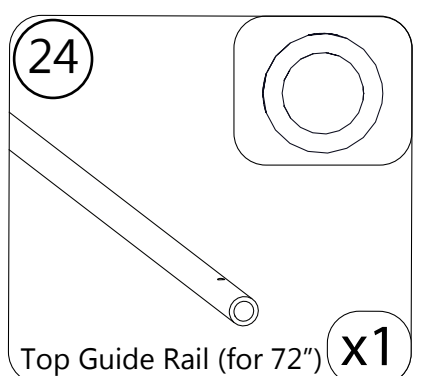
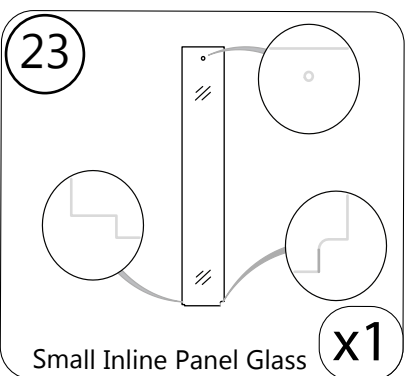
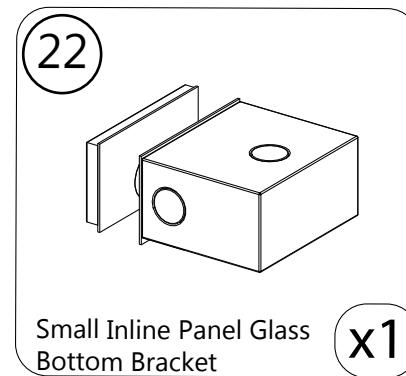
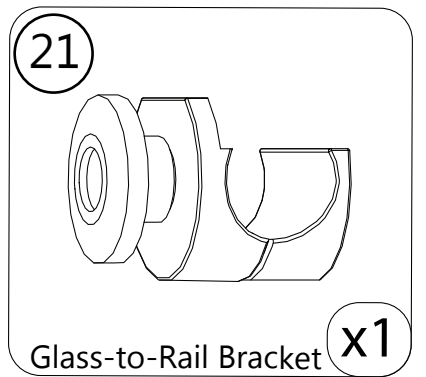
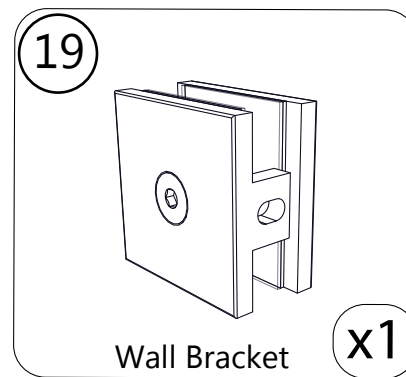
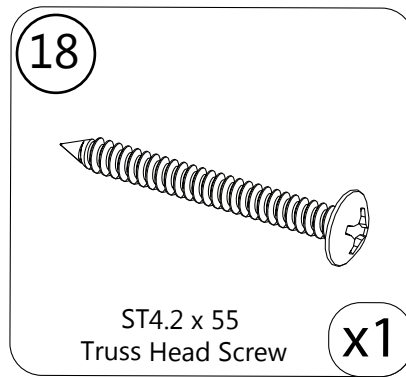
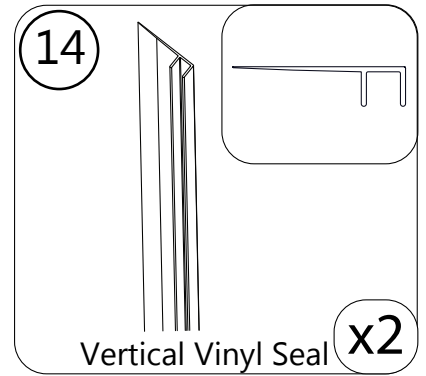
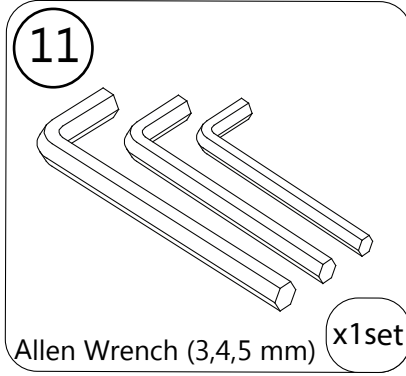
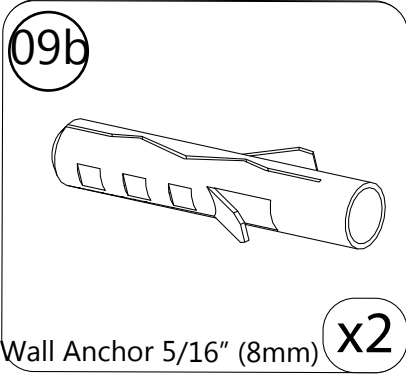


\*Right-hand door installation shown.

for Model #  
SHDR-61727610-##

# Parts List B

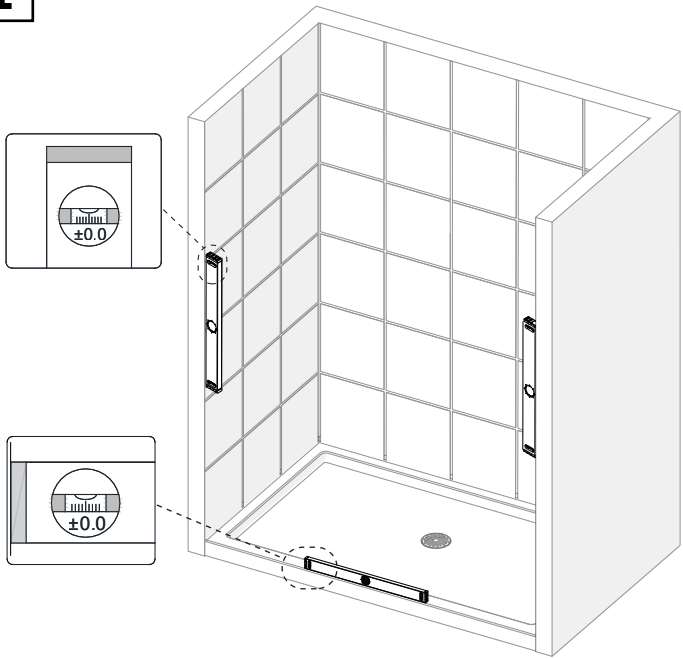
**72"**  
MODEL  
ONLY



\*All drawings in this manual are for illustrative purposes only and are not drawn to scale.

# Installation Steps

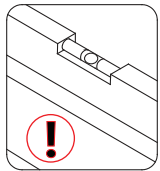
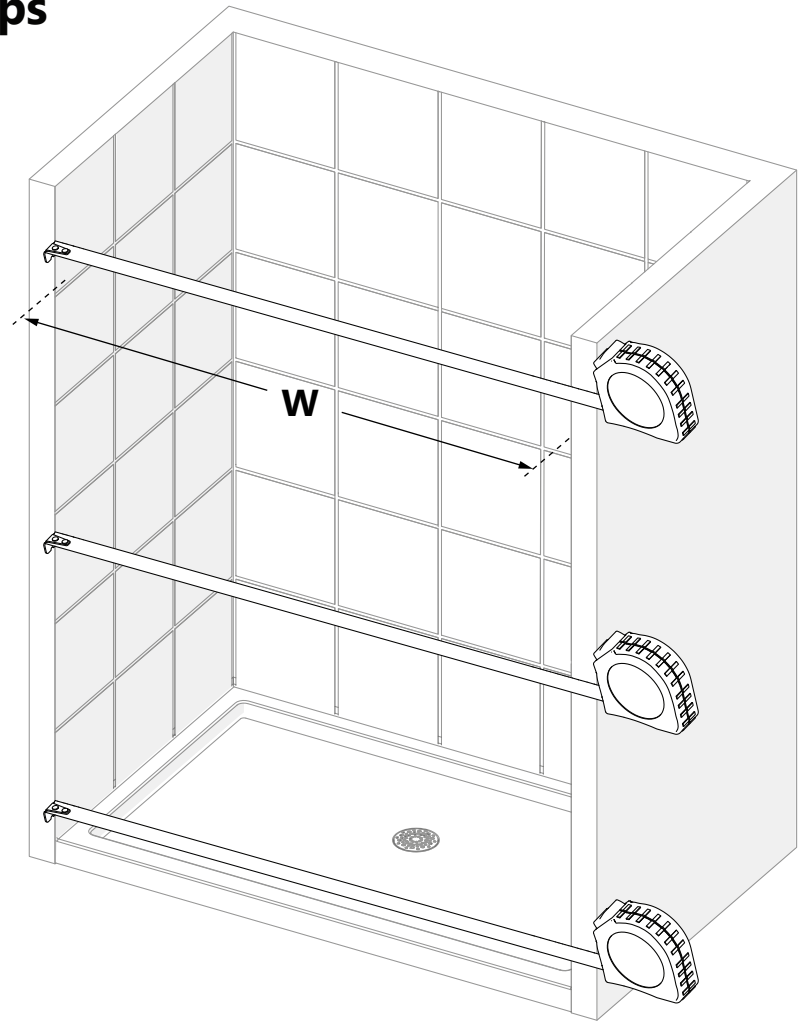
**1**



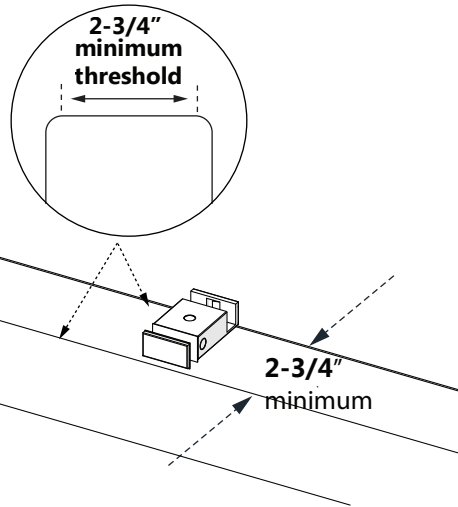
Top  
\*at model height  
\_\_\_\_\_ "

Middle  
\_\_\_\_\_ "

Bottom  
\_\_\_\_\_ "



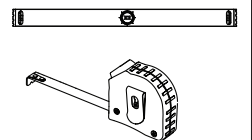
**Threshold must be level**



**NOTE**

The minimum threshold requirement for the ENIGMA-X is **2-3/4"** of flat threshold space.

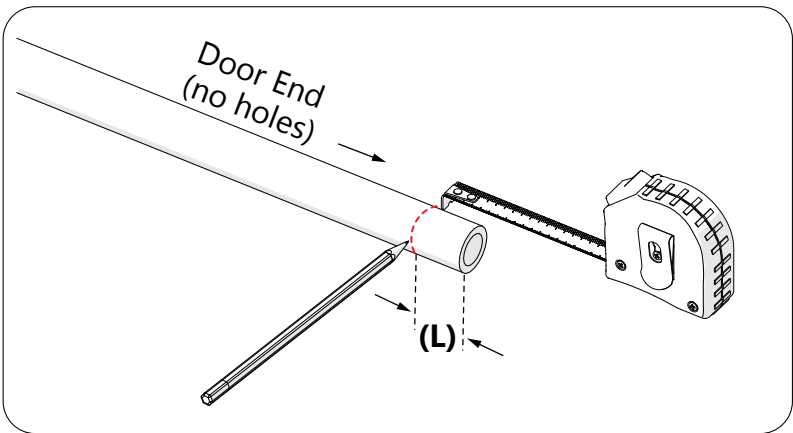
## Tools Needed



**2**

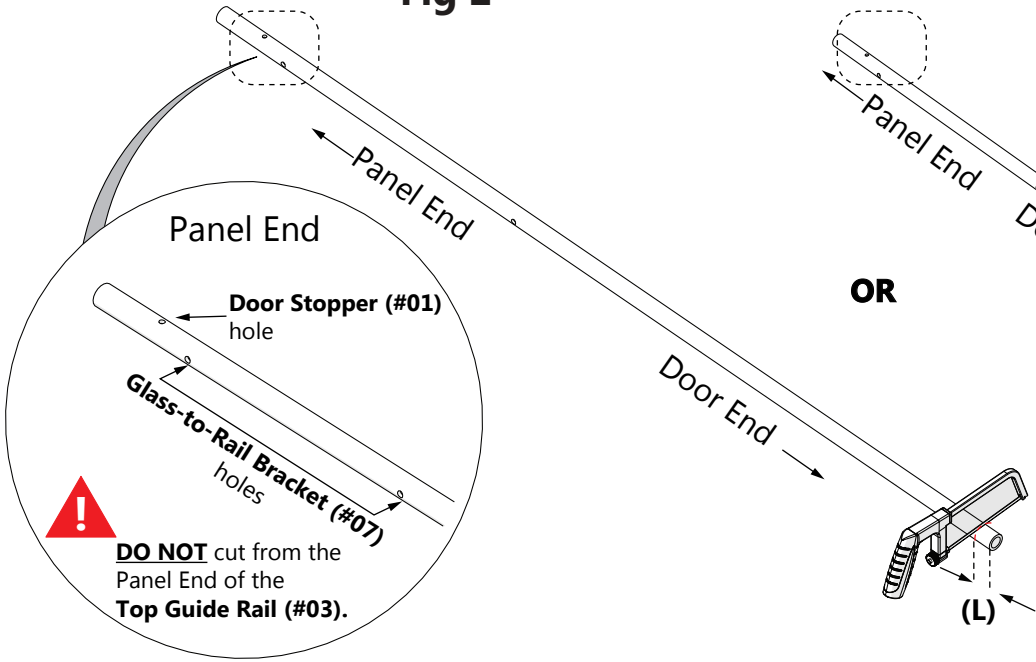
The length to cut-off from the door side of the Top Guide Rail (#03) will be (L):

**Model Width (-) Finished Opening (W) = Cut-off Length (L)**

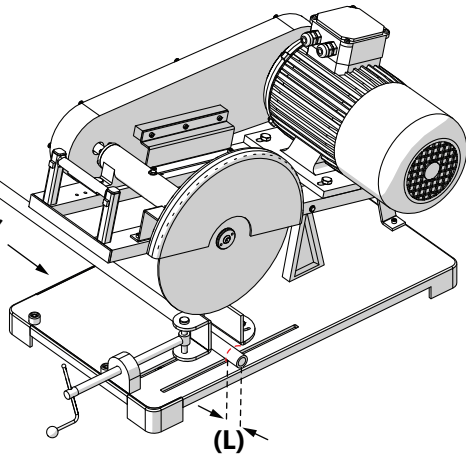


**!** **\*\*Use the proper saw blade to cut stainless steel.**

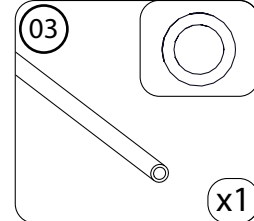
**Fig 2**



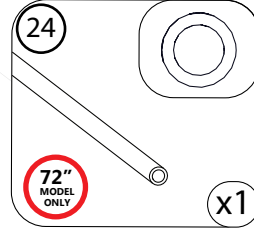
**OR**



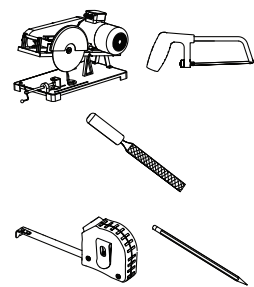
**Parts Needed**



**OR**



**Tools Needed**



**TIP** Use a metal file to deburr the cut end

**NOTE** The Top Guide Rail (#03) has been pre-cut for the model width of: 48", 60", 72". (The actual rail is shorter than the model width by design to account for the guide rail brackets.) Cut the Top Guide Rail (#03) from the door end **only**, which is the end that is farther from the Glass-to-Rail Bracket (#07) holes. **DO NOT** cut from the panel end of the Top Guide Rail (#03).



3

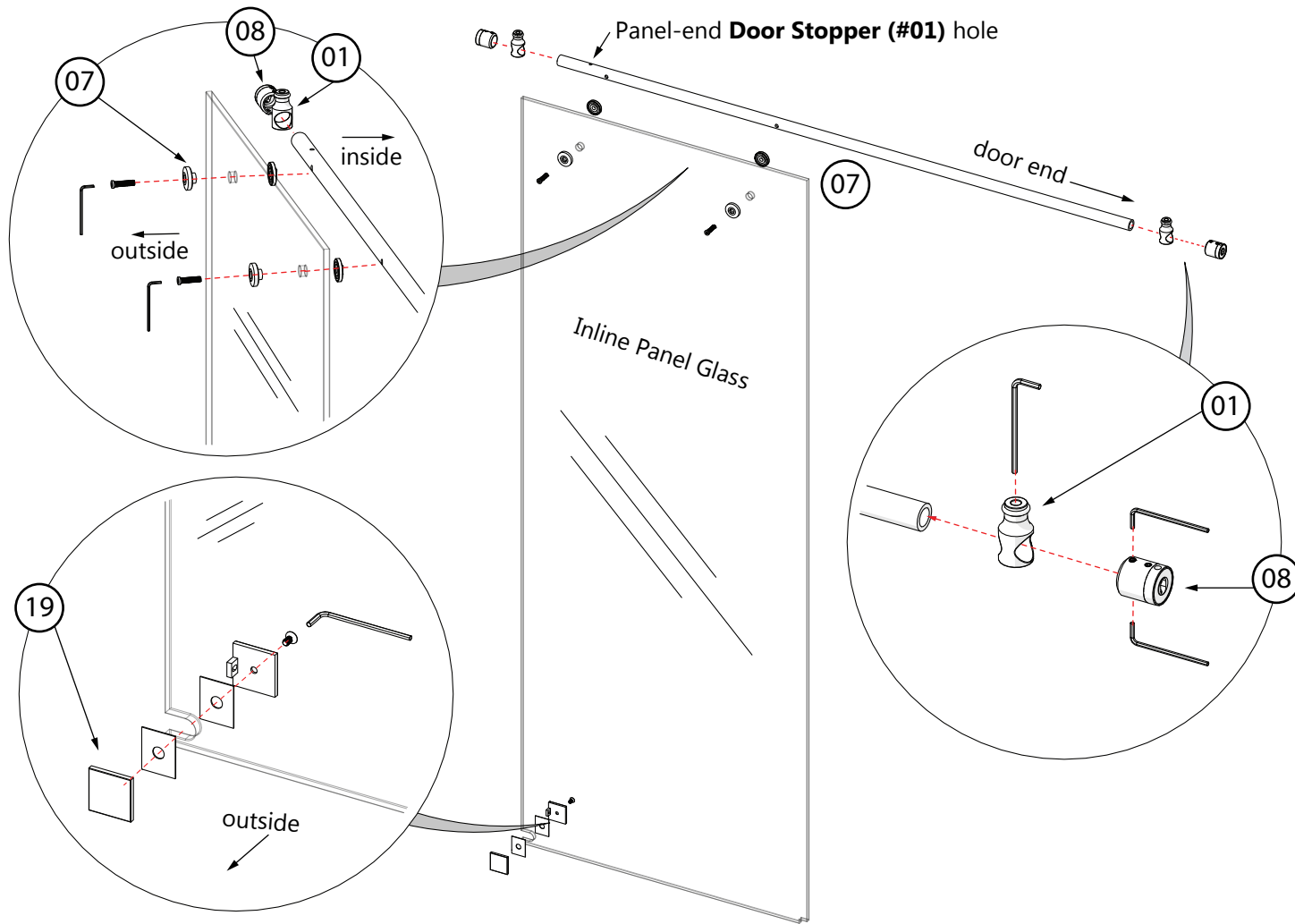
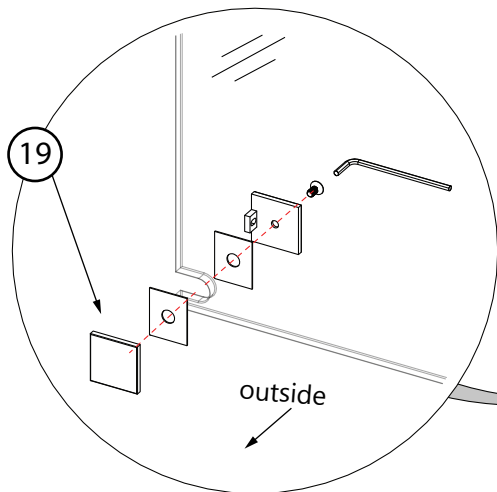
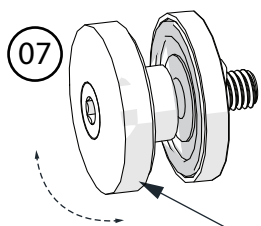


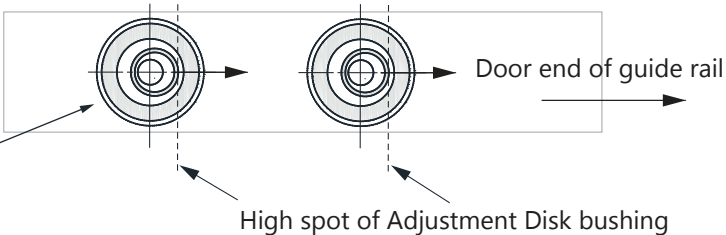
Fig 3




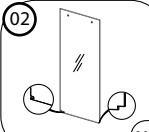
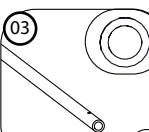
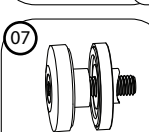
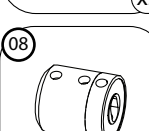
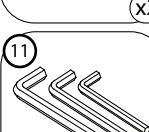

Glass-to-Rail Bracket



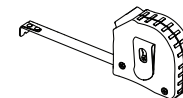
Adjustment disk



Parts Needed

-  (01) x2
-  (02) x1
-  (03) x1
-  (07) x2
-  (08) x2
-  (11) x1set
-  (19) x1

Tools Needed



Find and mark the location of the high spot on the outer surface of the adjustment disk with a felt tip pen to make adjustment easier to see.



The outer **Glass-to-Rail Bracket (#07)** disk has an eccentric bushing for adjustment. Be sure to install both Glass-to-Rail Bracket disks with the high spot of the bushing pointed towards the door end of the guide rail.

4

72"  
MODEL  
ONLY

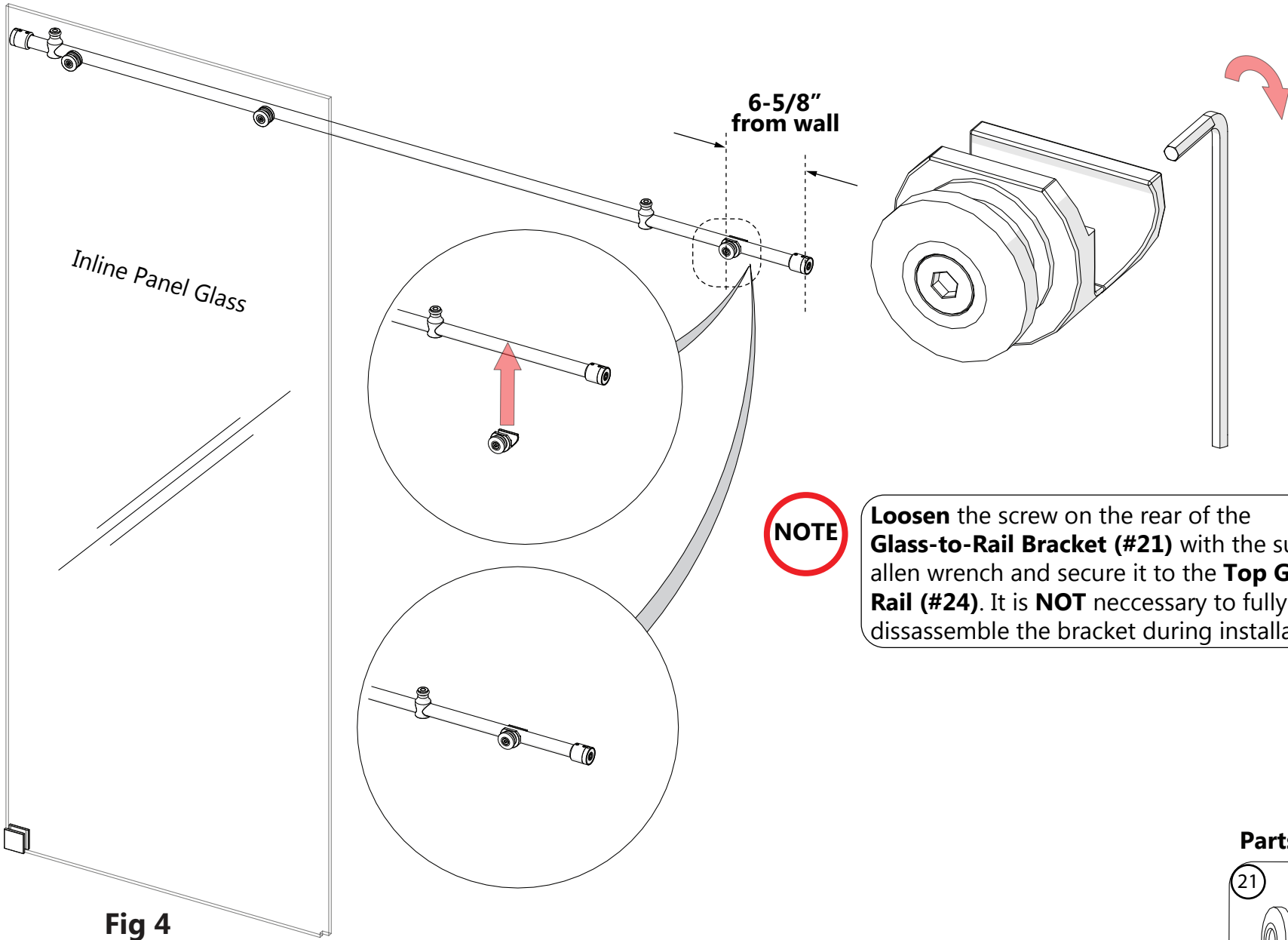
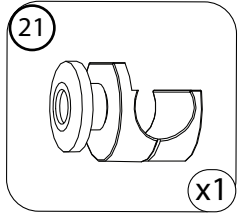
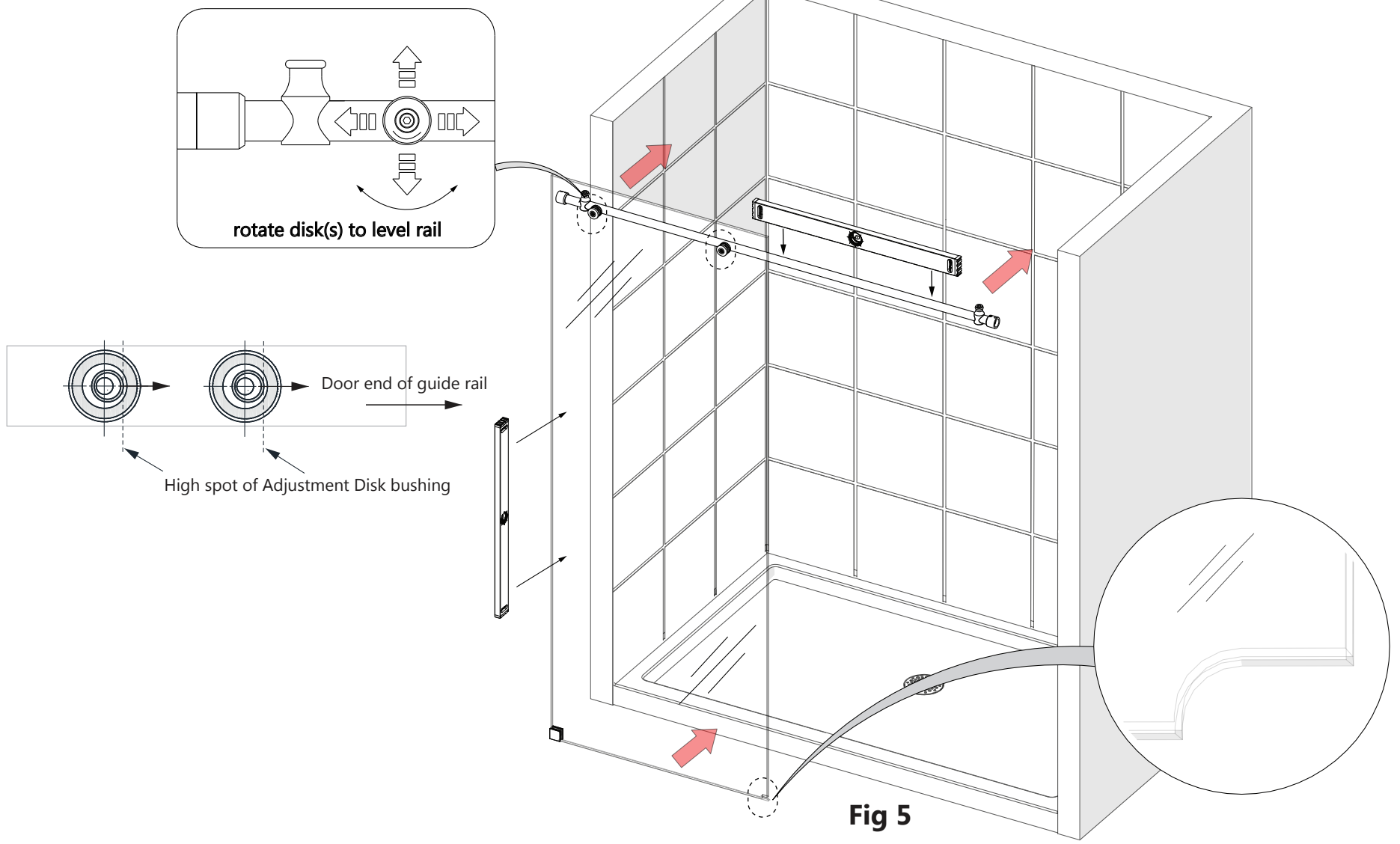


Fig 4

Parts Needed



5



**NOTE** The **Panel Glass (#02)** must be installed to the **outside** of the **Top Guide Rail (#03)**.

**Tools Needed**

6

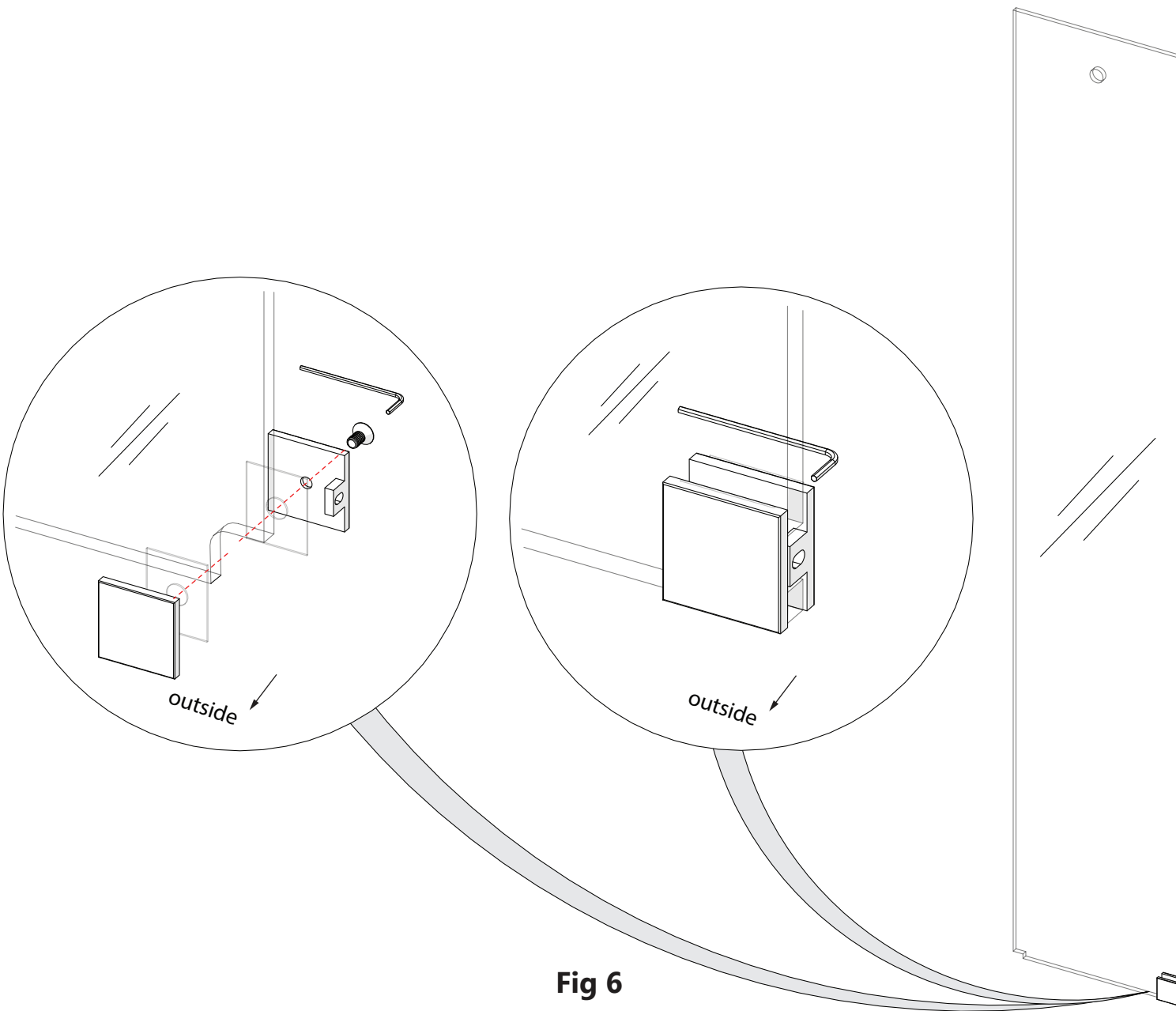
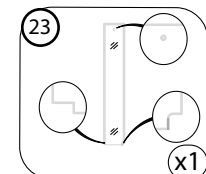
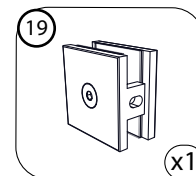
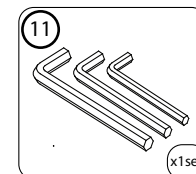


Fig 6

**72"**  
MODEL  
ONLY

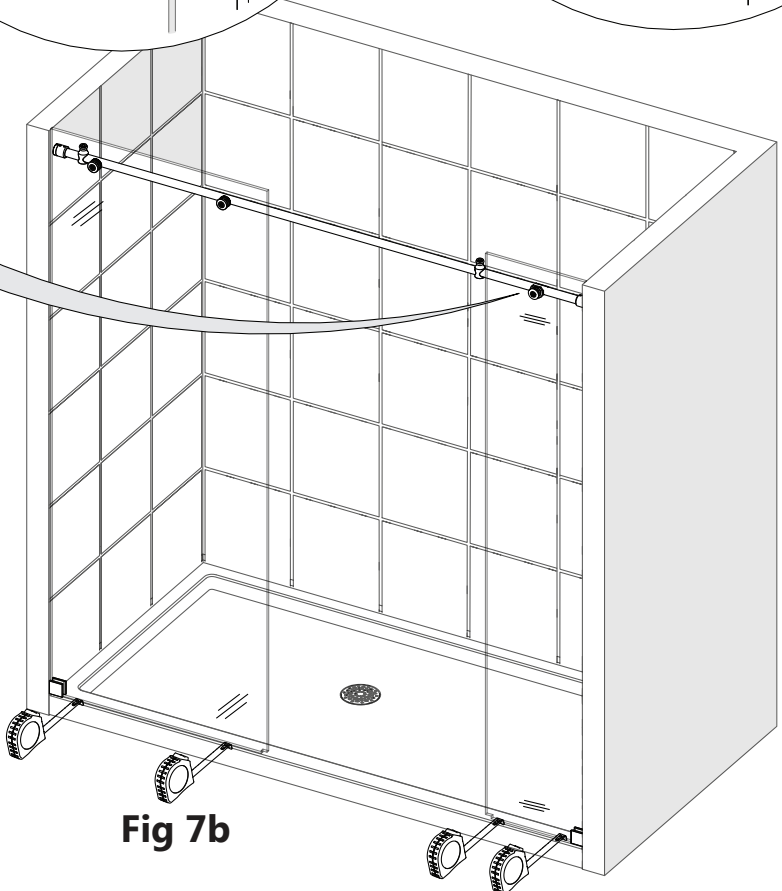
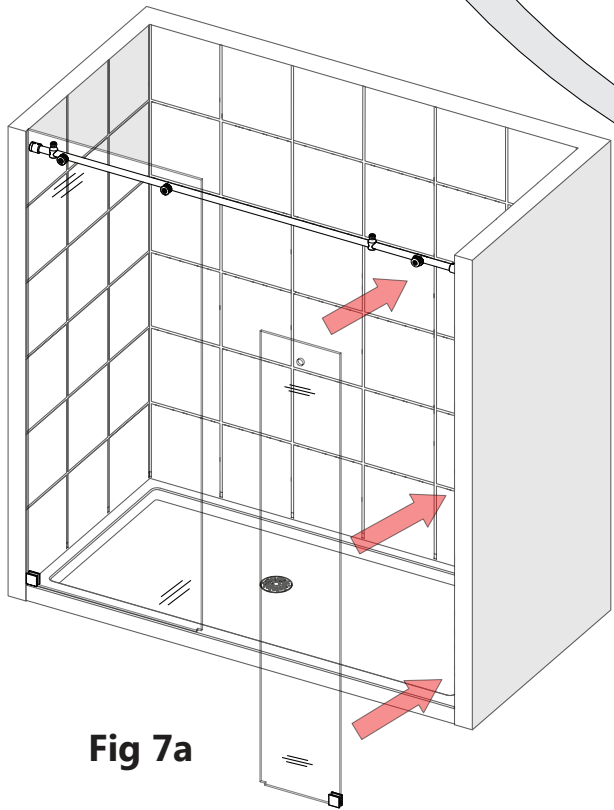
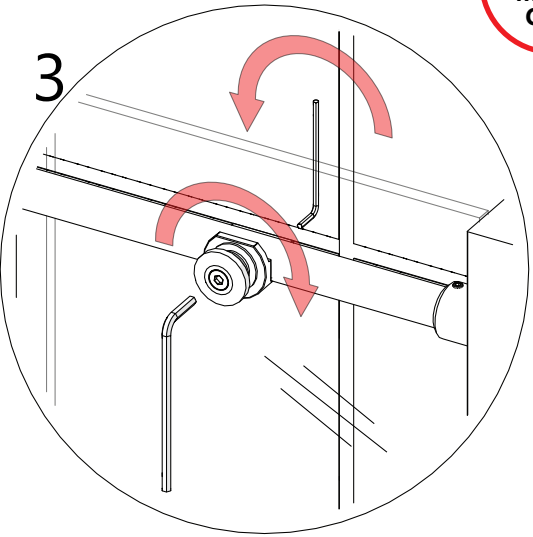
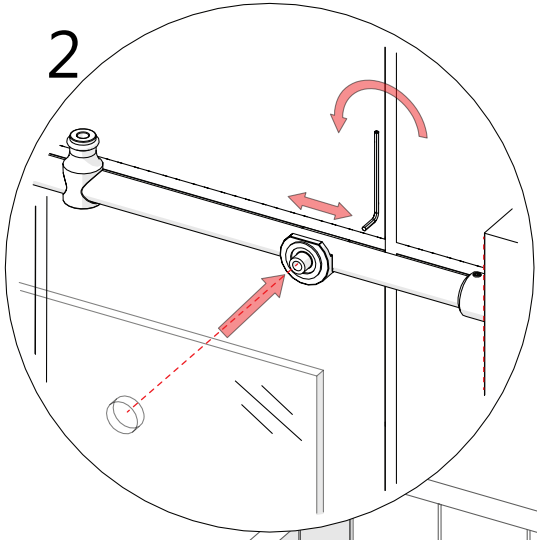
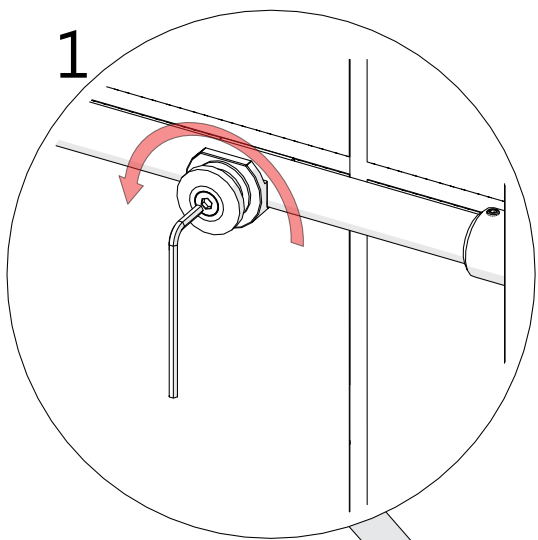
**Parts Needed**



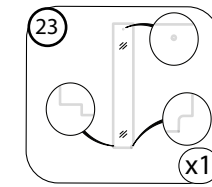
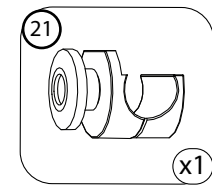
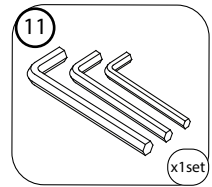
For **single threshold installation (shown)**, this bracket will be installed into the wall.  
 For an **enclosure installation only**, this bracket will need to be installed into the threshold.

7

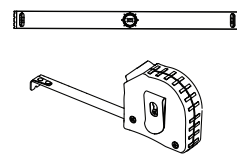
72"  
MODEL  
ONLY



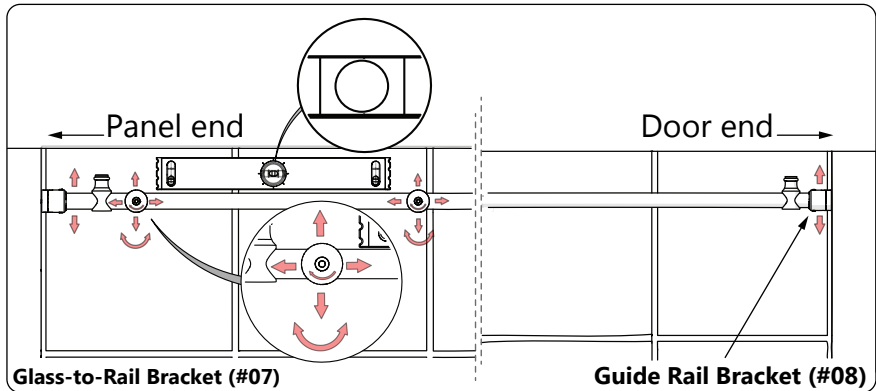
Parts Needed



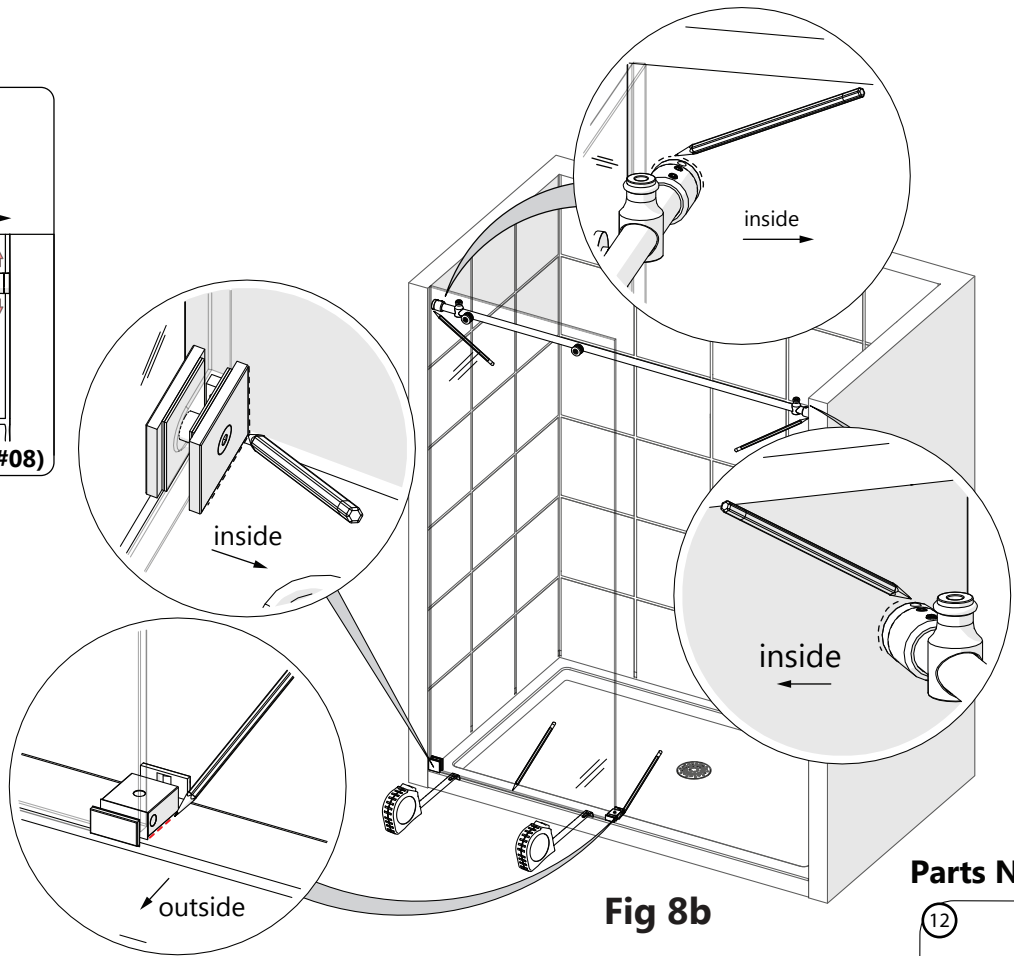
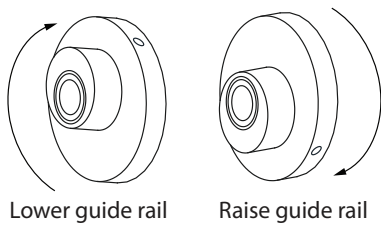
Tools Needed



**8**

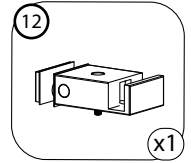


**Fig 8a** \*Right-hand door installation shown.

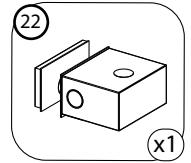


**Fig 8b**

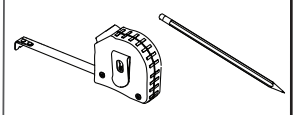
**Parts Needed**



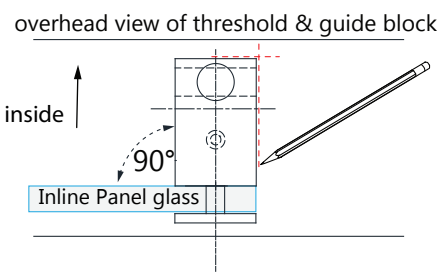
**\*72" Model Only**



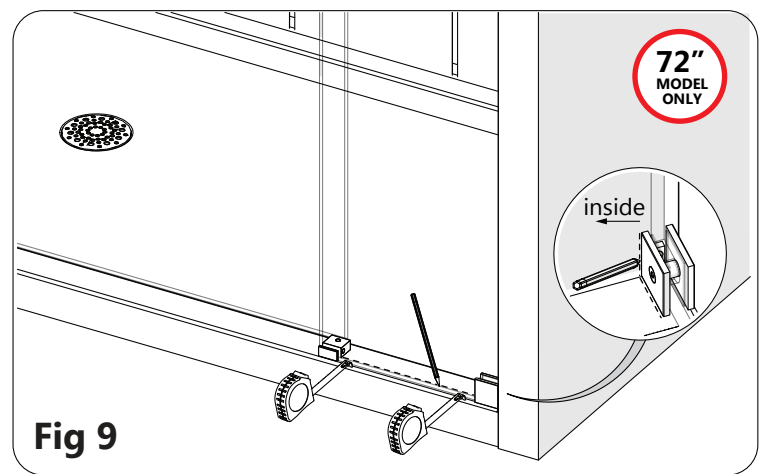
**Tools Needed**



**9**



**Guide Block (#12) must be installed square to the plane of the glass.**



**Fig 9**

10

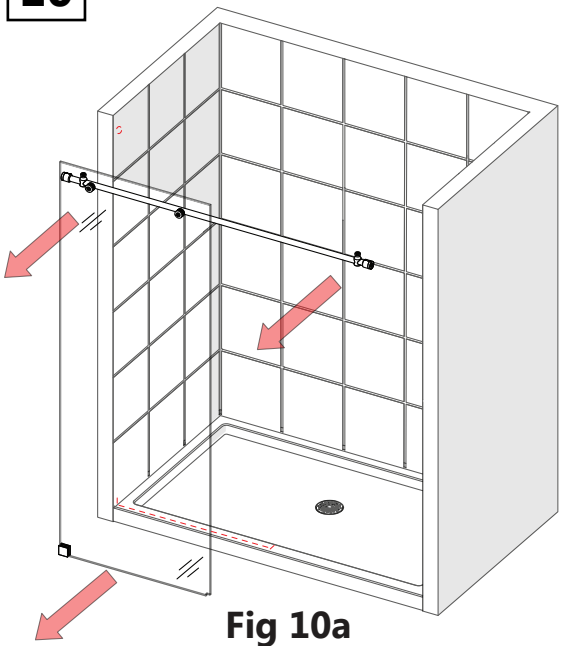


Fig 10a

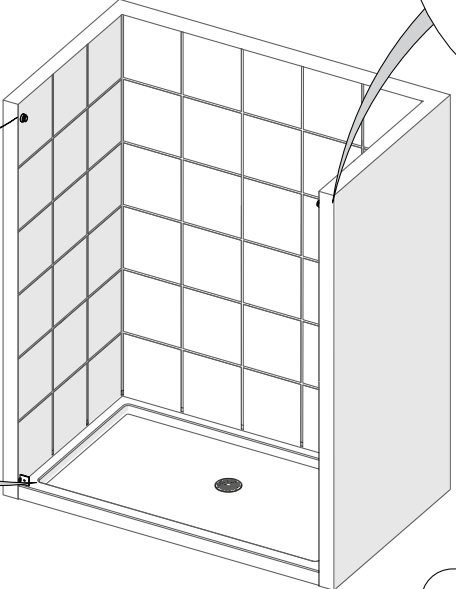
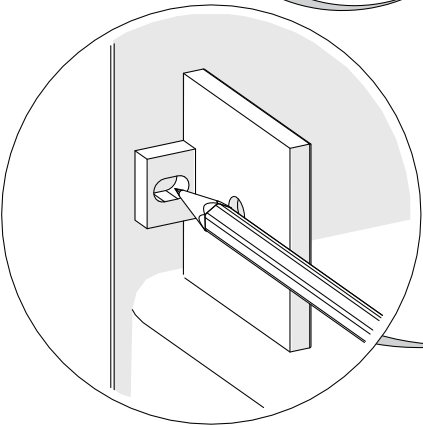
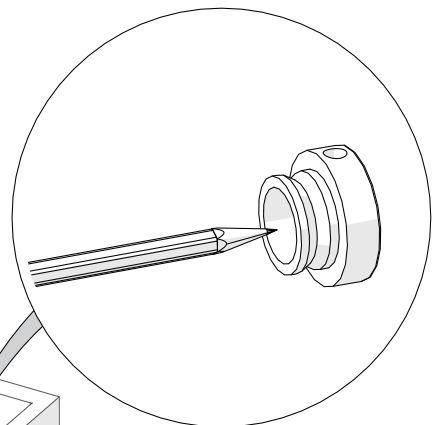
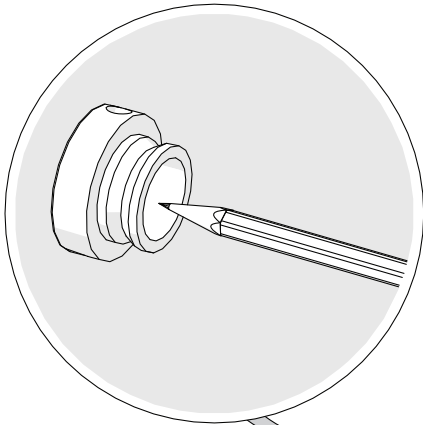


Fig 10c

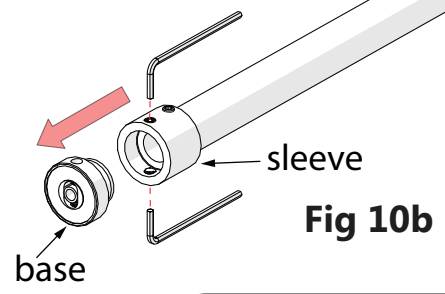
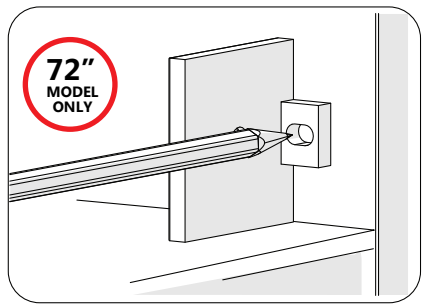


Fig 10b



72" MODEL ONLY

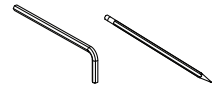


Separate the **Guide Rail Bracket (#08)** base from the sleeve by loosening the set screws. Leave the sleeves on both ends of the Top Guide Rail. **For enclosure installation only:** remove the Guide Rail Bracket (#08) base on the side that will meet the Return Panel and refer to the **Enigma-X/Enigma-XO Enclosure Return Panel Manual**.



**\*\*Step #11** has an option for installing the guide rail brackets to the wall using anchors. However, **the manufacturer strongly recommends installing the guide rail brackets into studs or to pre-installed 2"x 6" wood reinforcements behind the wall in the area where the guide rail brackets will be attached to the wall.**

Tools Needed



11

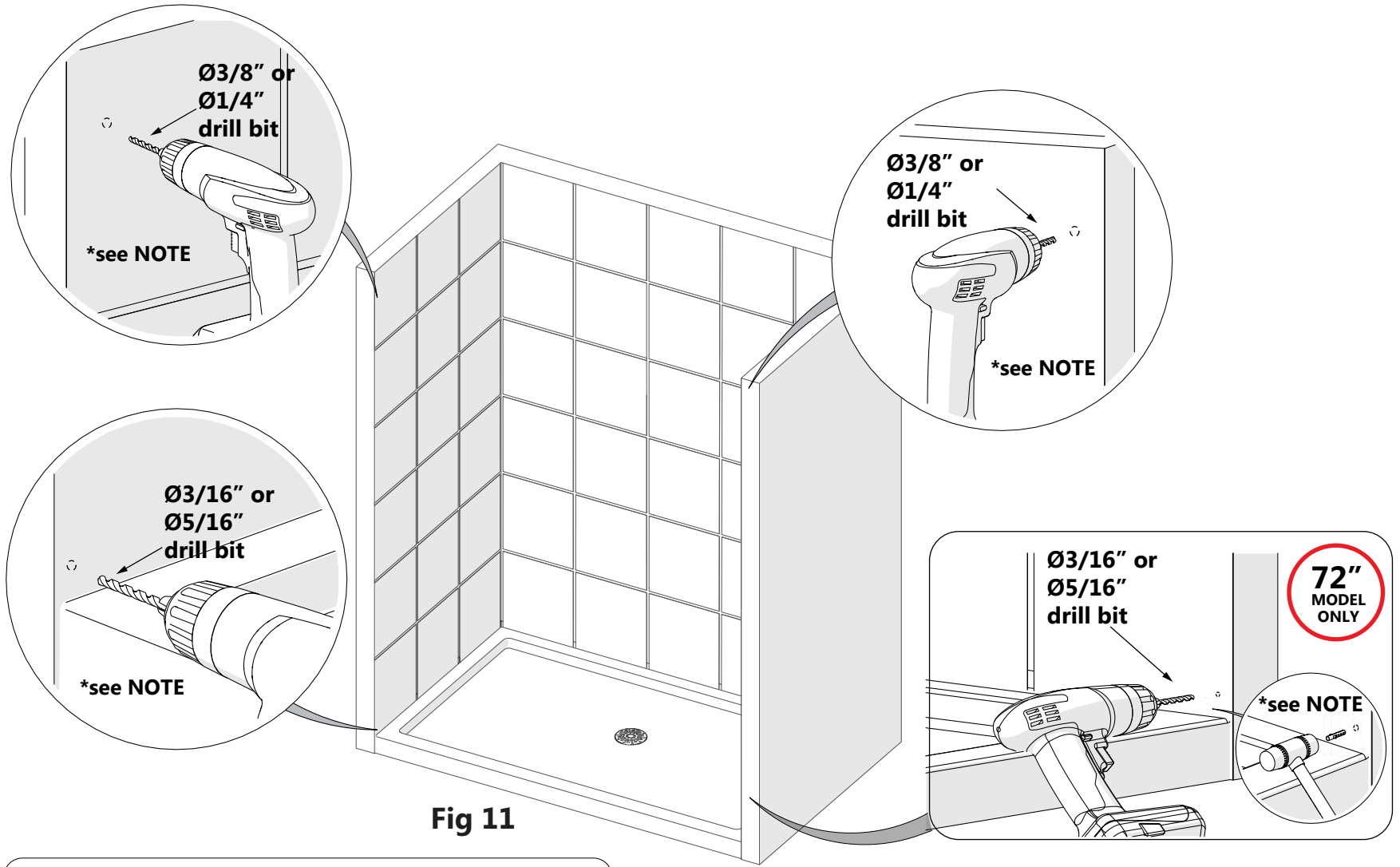


Fig 11

NOTE

**For Guide Rail Brackets:**

- **If a stud is present behind the wall: (recommended)**  
drill a Ø1/4" (6mm) hole up to the stud.

**OR**

- **If no stud is present behind the wall:**  
drill a Ø3/8" (7mm) hole and install the **Wall Anchor (#09a)**.

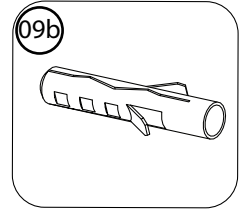
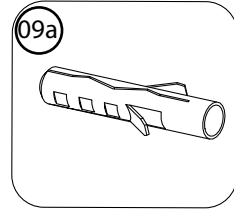
**For Wall Brackets:**

- **If a stud is present behind the wall:**  
drill a Ø3/16" (4mm) hole up to the stud.

**OR**

- **If no stud is present behind the wall:**  
drill a Ø5/16" (10mm) hole and install the **Wall Anchor (#09b)**.

Parts Needed



Tools Needed





12

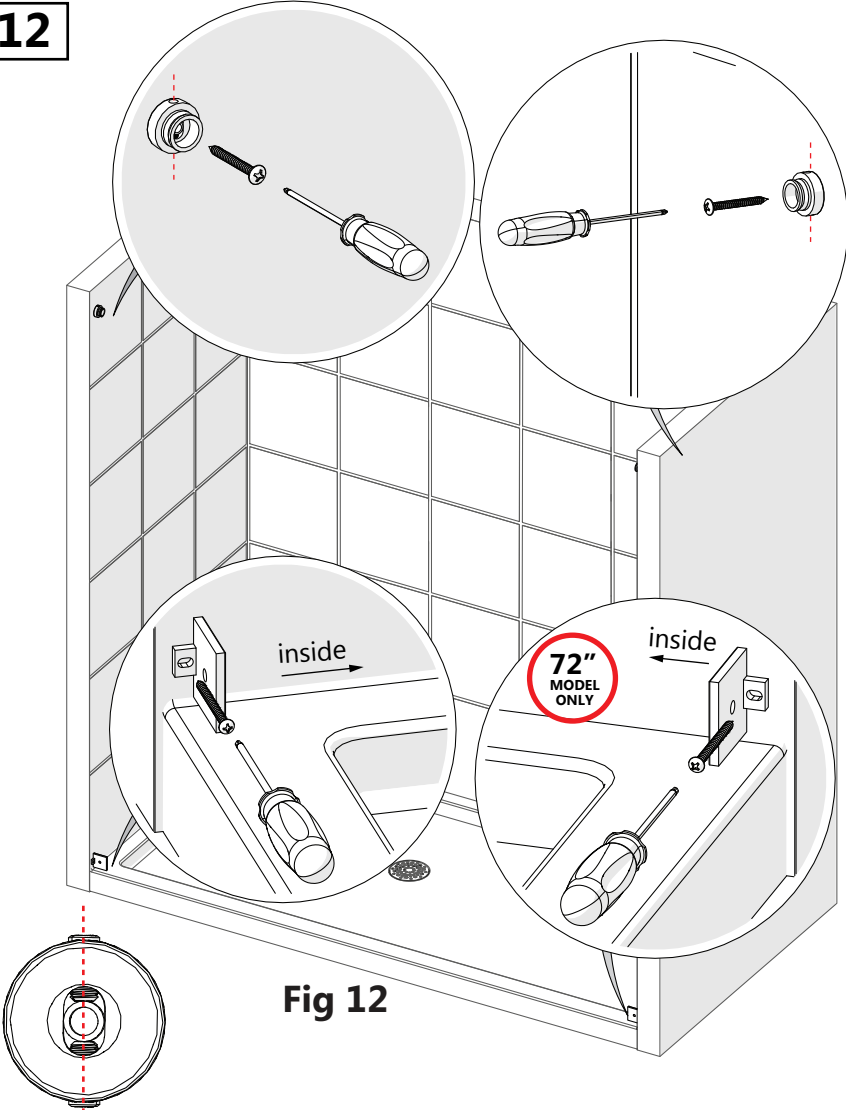
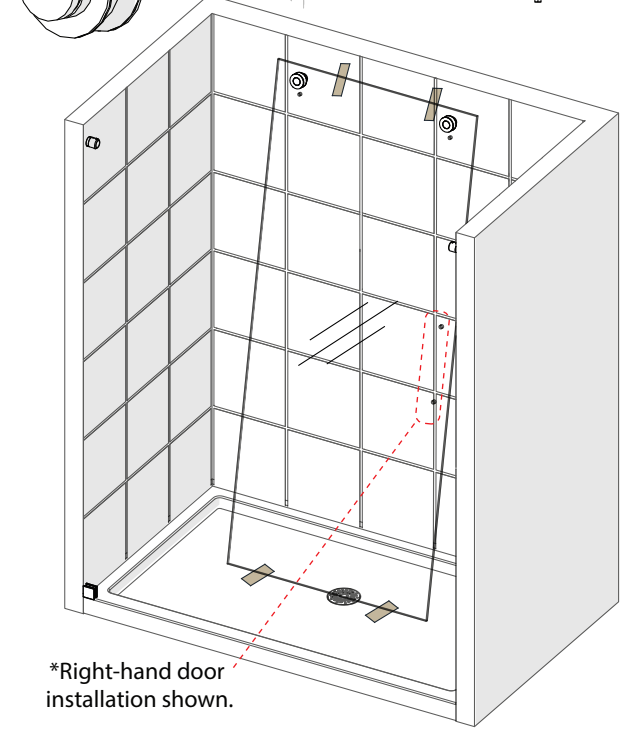
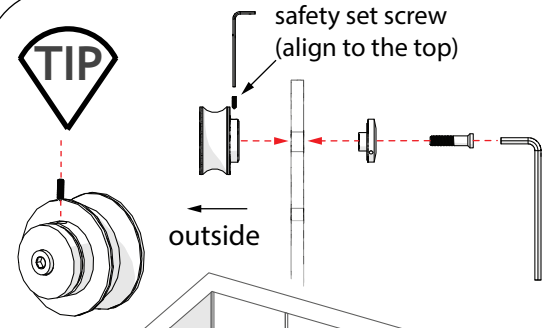


Fig 12

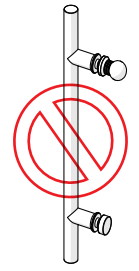
**NOTE** The adjustment set screws within the Guide Rail Bracket (#08) must be aligned vertically for easier access to adjust for level if necessary after the glass is installed. Align the set screws vertically and tighten.

**DO NOT** attach the handle to the Door Glass until instructed. **DO NOT** attempt to lift the Door Glass with the handle as this may result in damage to the glass and/or serious personal injury. Use a professional grade glass suction cup and an assistant.

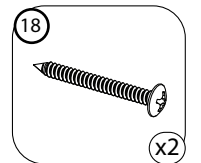
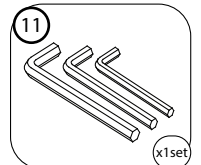
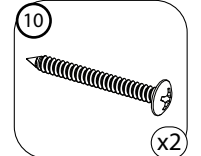
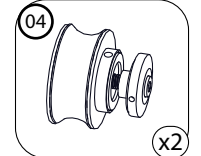
**NOTE** Leave the corner protectors on the glass until it is necessary to remove them



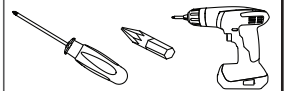
Before installing the **Panel Glass (#02)**, attach the two **Roller Assemblies (#04)** to the **Door Glass (#05)** with the wheels facing outside of the shower. Align the **safety set screw** towards the top for easier access. Then, take the **Door Glass (#05)** into the shower area and lean it against the wall with the handle holes on the correct side. Always use padding to protect the glass and shower surfaces.



Parts Needed



Tools Needed



13a

# Guide Block Installation

**NOTE**  
Contact the manufacturer of the base, tub or threshold material with any questions regarding the drilling of holes into their product.

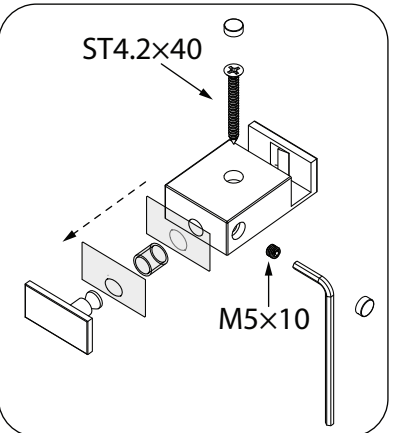
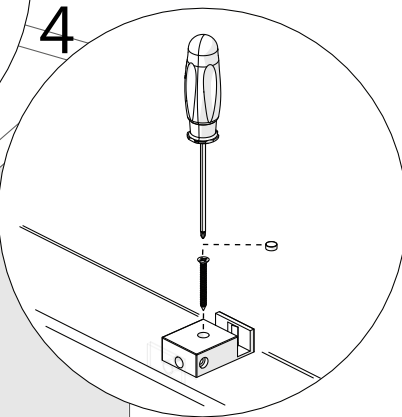
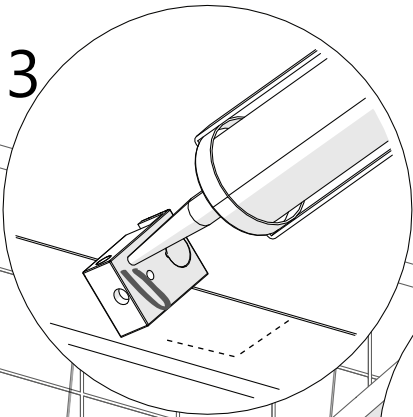
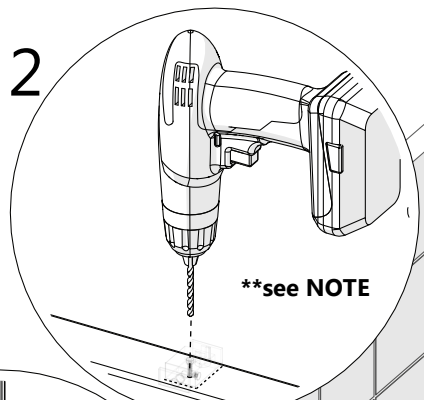
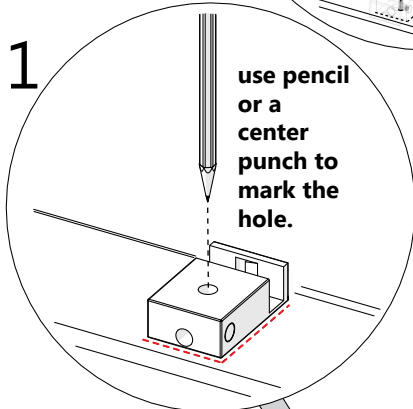
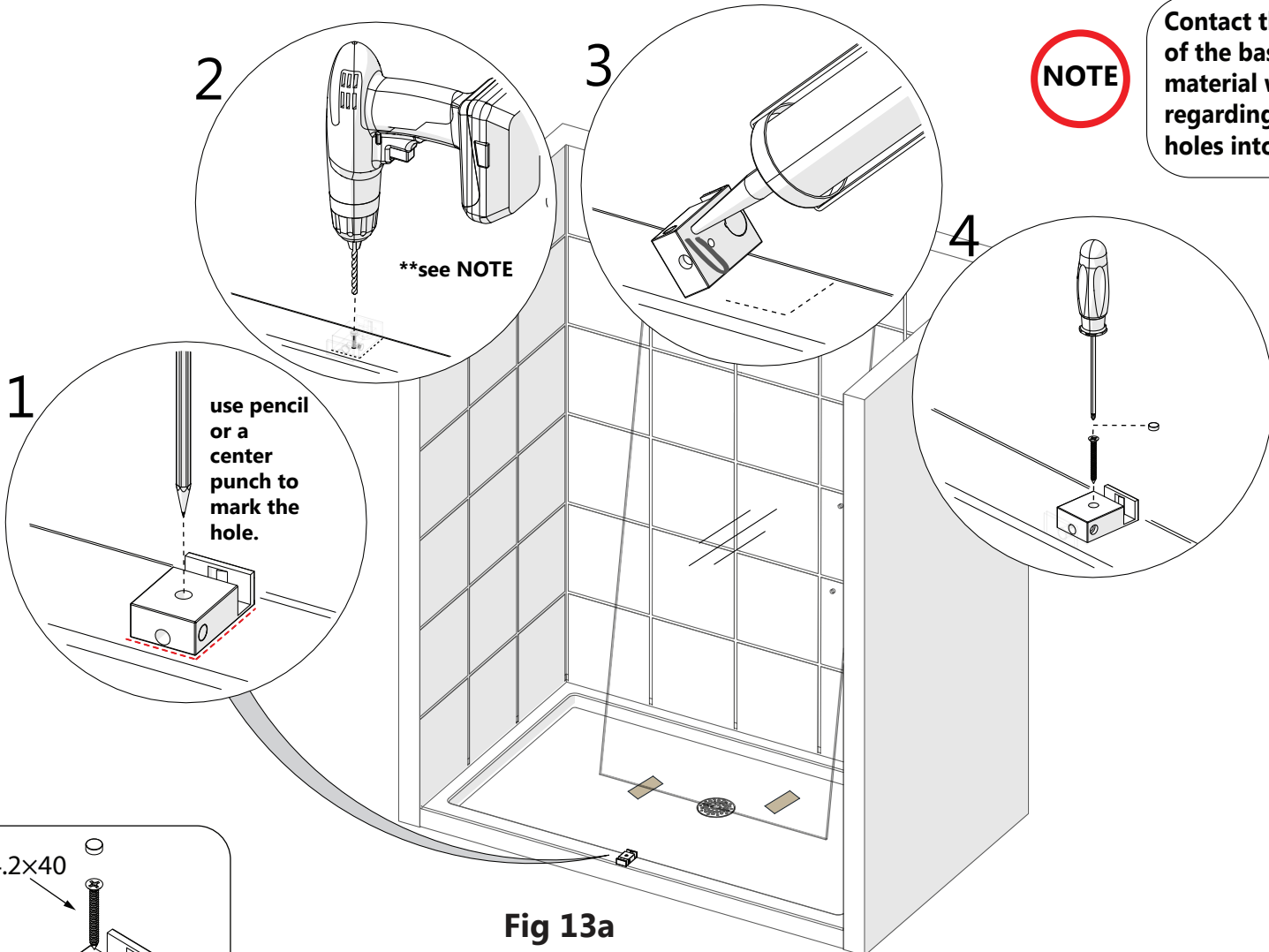
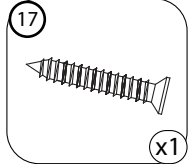
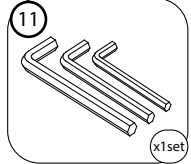


Fig 13a

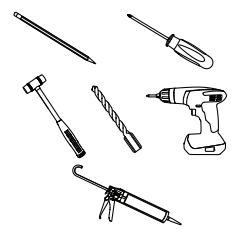
### Parts Needed



- For installation into an **Acrylic Threshold:** drill a  $\text{Ø}1/8''$  (3mm) hole and use the **ST4.2 x 40mm Countersunk Screw (#17)**.
- OR
- For installation into a **Tile Threshold:** drill a  $\text{Ø}3/16''$  (4mm) hole up to the stud and use the **ST4.2 x 40mm Countersunk Screw (#17)**.

**NOTE**

### Tools Needed

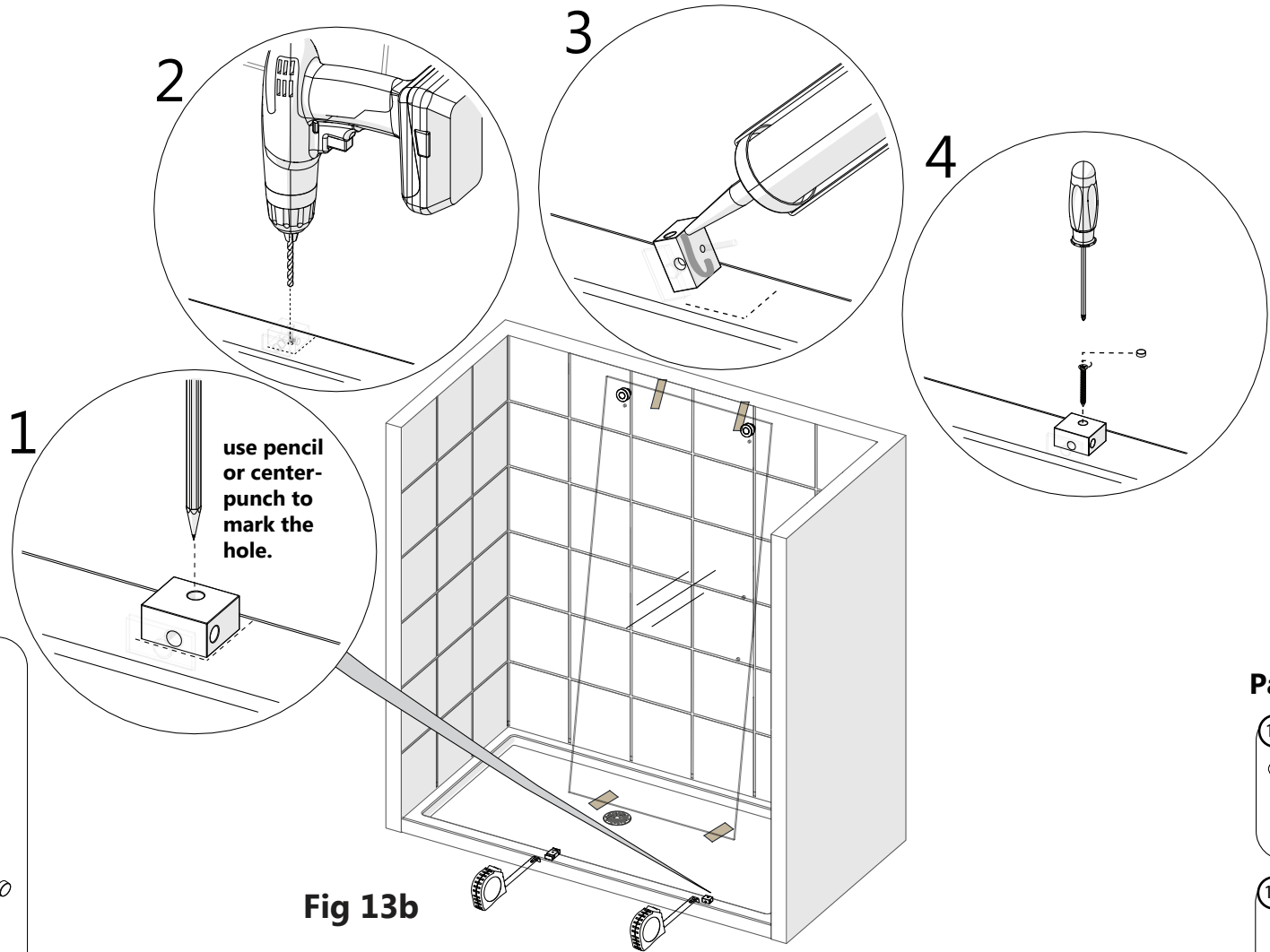


Part #12 - Guide Block (with caps)

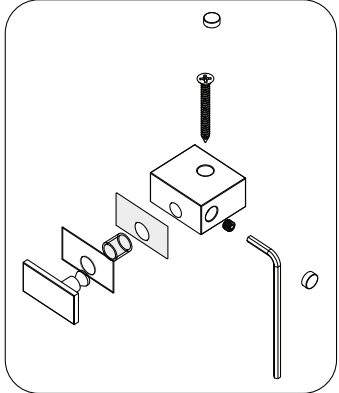
**13b**

**Guide Block Installation**

**72"**  
MODEL  
ONLY

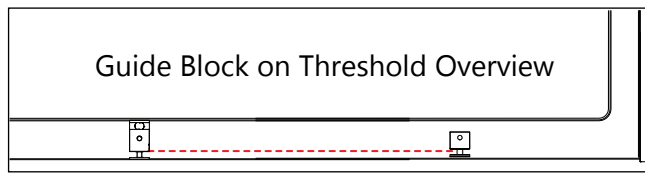
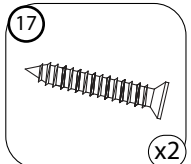
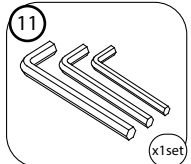


**Fig 13b**



**Part #22 - Small Inline Panel Glass Bottom Bracket**

**Parts Needed**



Guide Block on Threshold Overview

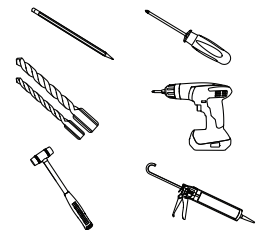
**NOTE**

- For installation into an **Acrylic Threshold:** drill a  $\text{Ø}1/8''$  (3mm) hole and use the **ST4.2 x 40mm Countersunk Screw (#17)**.
- OR
- For installation into a **Tile Threshold:** drill a  $\text{Ø}3/16''$  (4mm) hole up to the stud and use the **ST4.2 x 40mm Countersunk Screw (#17)**.

**NOTE**

Contact the manufacturer of the base, tub or threshold material with any questions regarding the drilling of holes into their product.

**Tools Needed**



14

# Guide Rail Bracket Adjustment



Adjust the installed **Top Guide Rail (#03)** to level as necessary using the **Guide Rail Brackets (#08)** first and then the **Glass-to-Rail Brackets (#07)**. **Start adjustments from the door end.**

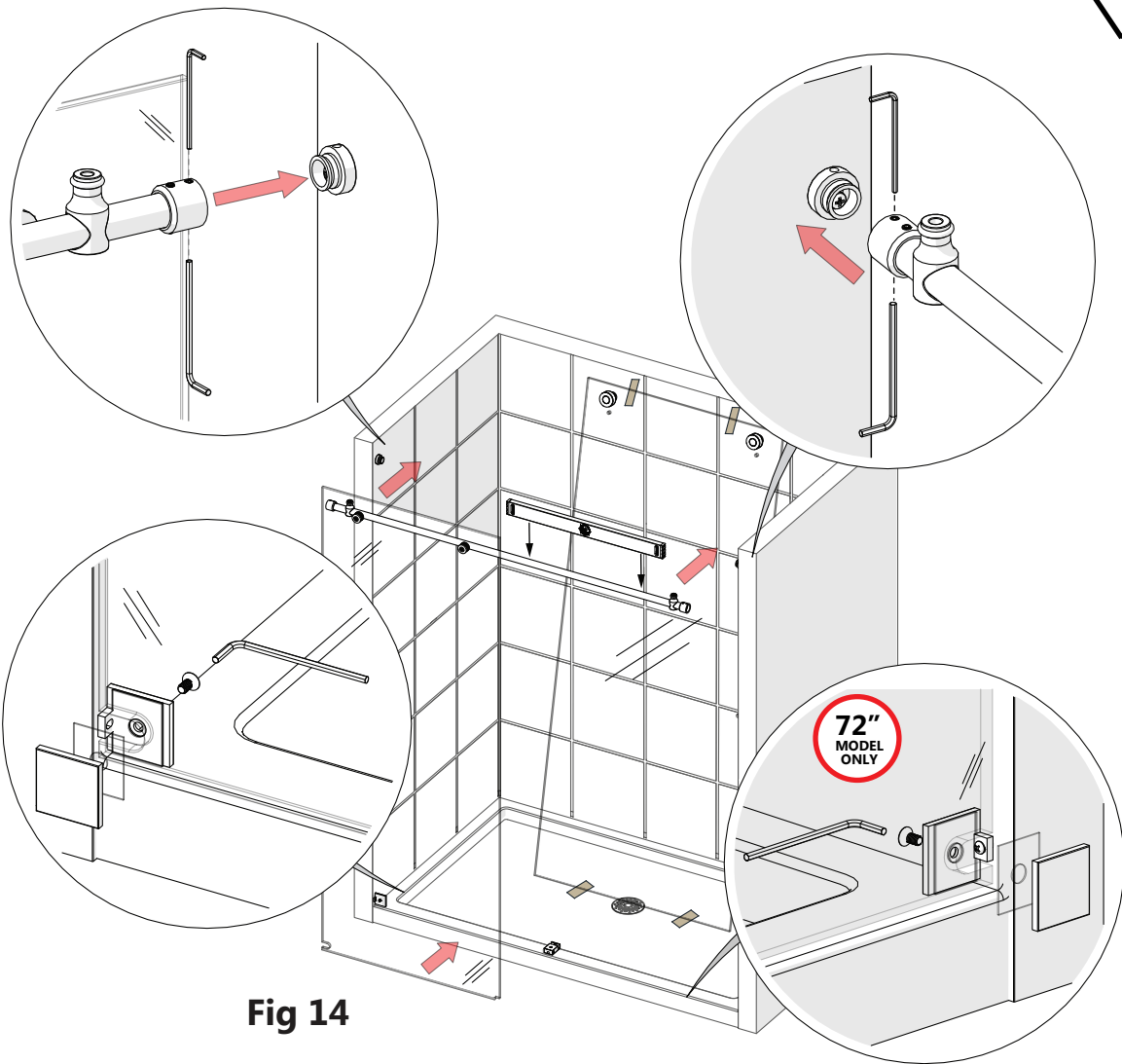
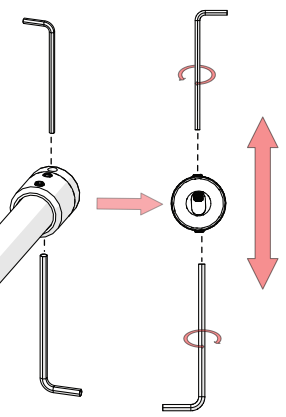


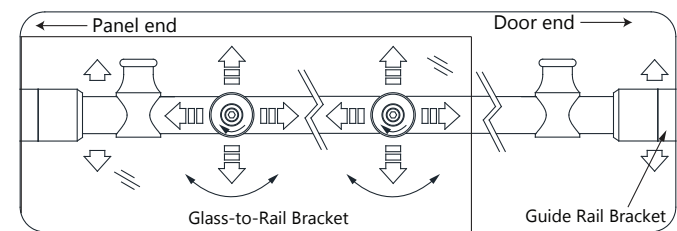
Fig 14

**To lower the rail:**  
Loosen the top set screw and tighten the bottom set screw.

**To raise the rail:**  
Loosen the bottom set screw and tighten the top set screw.



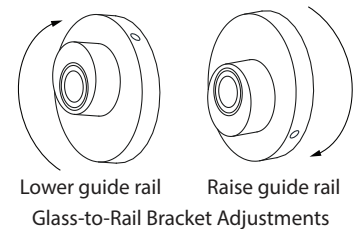
**NOTE** Use the **Guide Rail Bracket (#08)** set screws to adjust the **Guide Rail (#03)** to level.



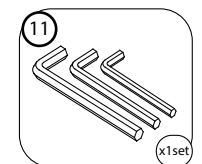
\*Right-hand door installation shown



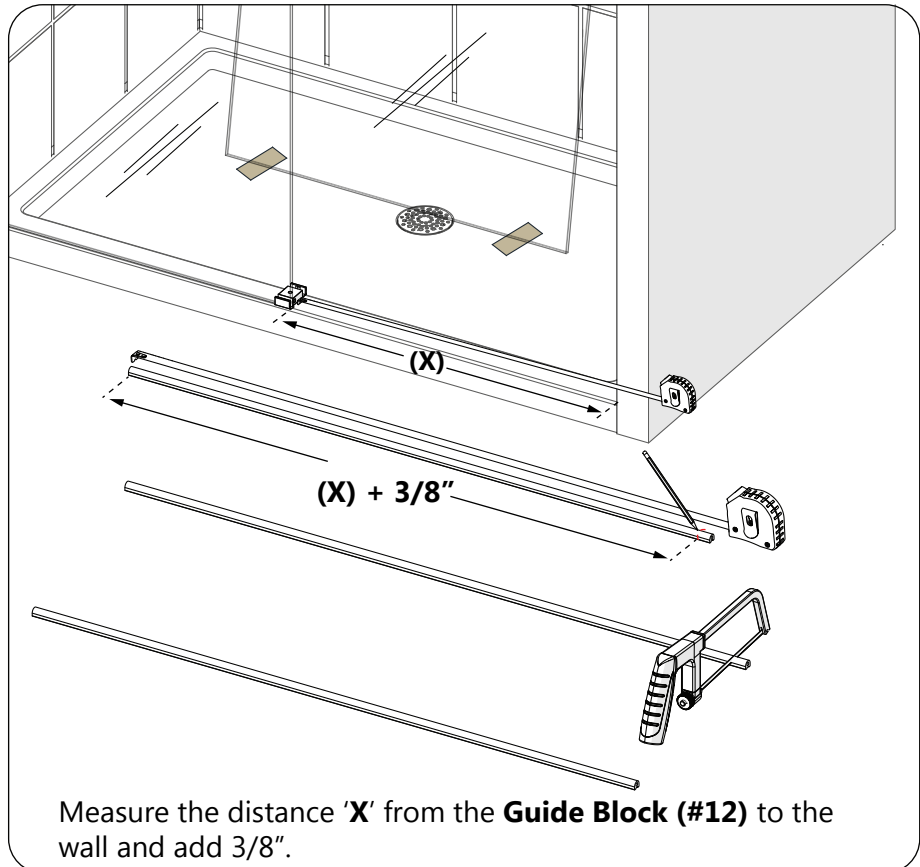
**For the 72" Model:** Repeat this step for the **Wall Bracket (#19)** for the **Small Inline Panel Glass (#23)** (Fig 14.4). Use the clear vinyl gasket between the glass and the metal parts to avoid contact with the glass, then tighten the bolt using the supplied **Allen Wrench (#11)**.  
**For Enclosure Model:** Refer to **Step 8** in the **Enigma-X/Enigma-XO Enclosure Return Panel Manual** to connect the shower assembly to the Return Panel using the Glass-to-Guide Rail Connector (#28).



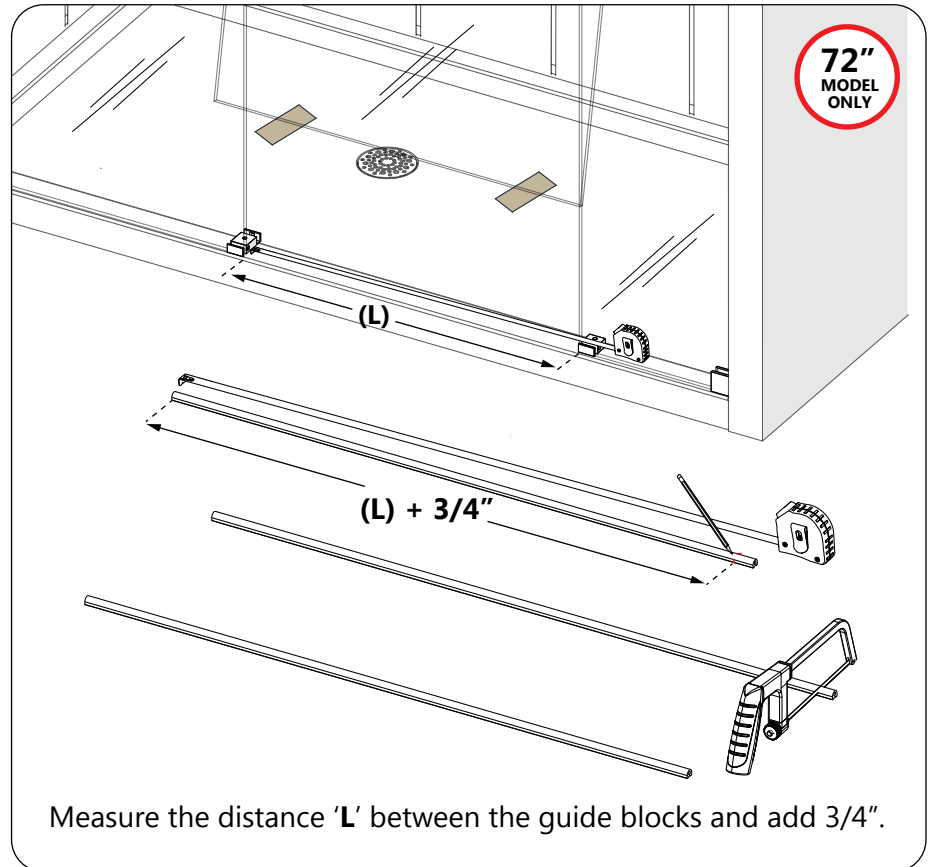
**Parts Needed**



**15**



**Fig 15a**



**Fig 15b**

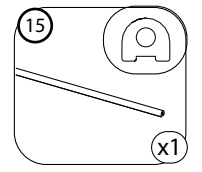
Measure the distance '**X**' from the **Guide Block (#12)** to the wall and add 3/8\".

Measure the distance '**L**' between the guide blocks and add 3/4\".

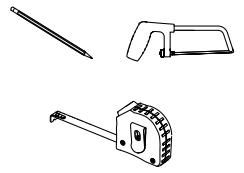
**NOTE**

**48" or 60" Model Size:** Cut the **Dam Strip (#15)** to the size of: **(X) + 3/8"**.  
**72" Model Size:** Cut the **Dam Strip (#15)** to the size of: **(L) + 3/4"**.

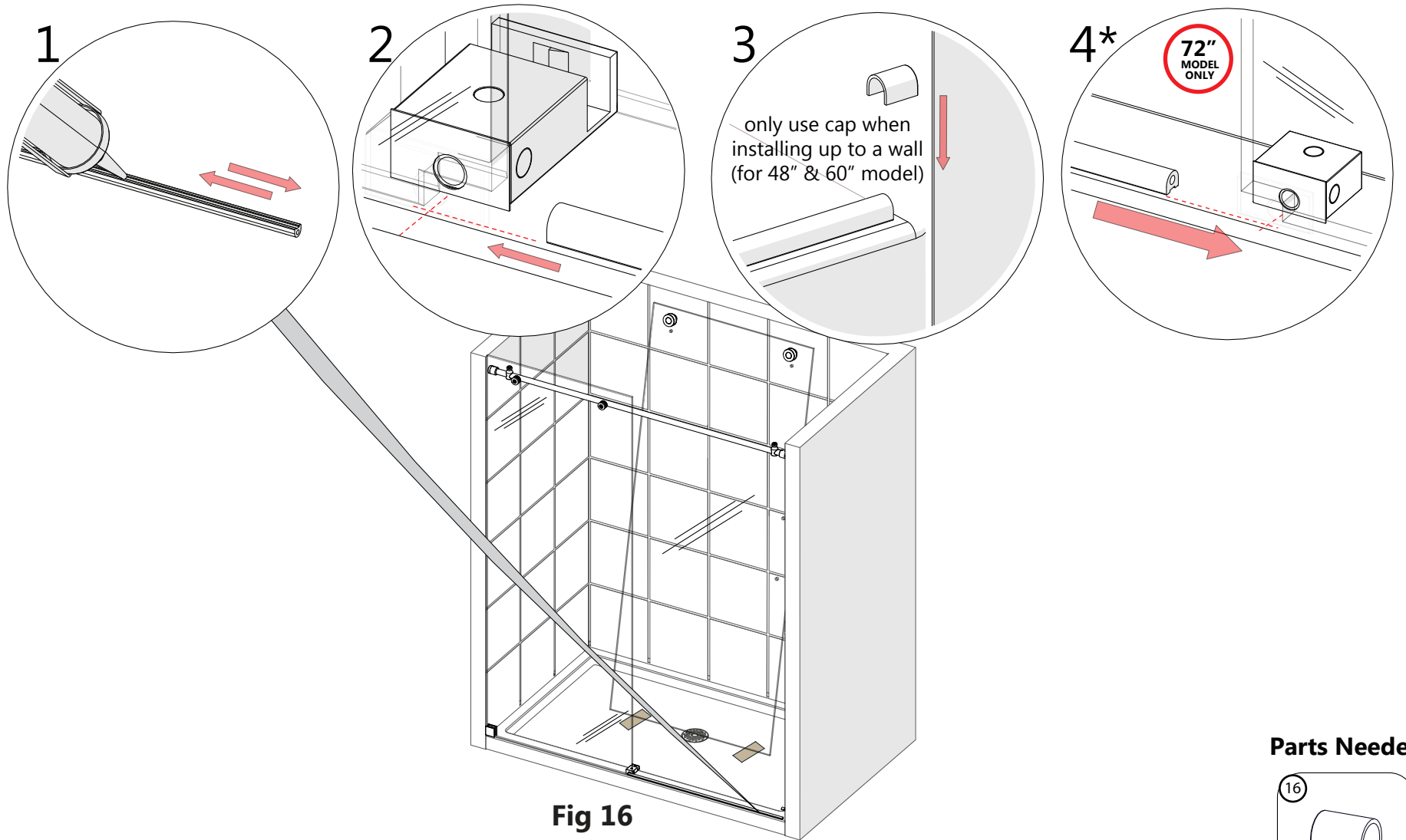
**Parts Needed**



**Tools Needed**

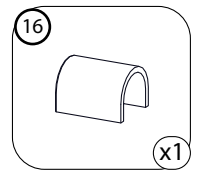


16

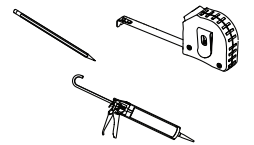


**NOTE** For the 72" Model: Insert the **Dam Strip (#15)** into the **Small Inline Panel Glass Bottom Bracket (#22)**. (Fig 16.4\*)

Parts Needed



Tools Needed



17

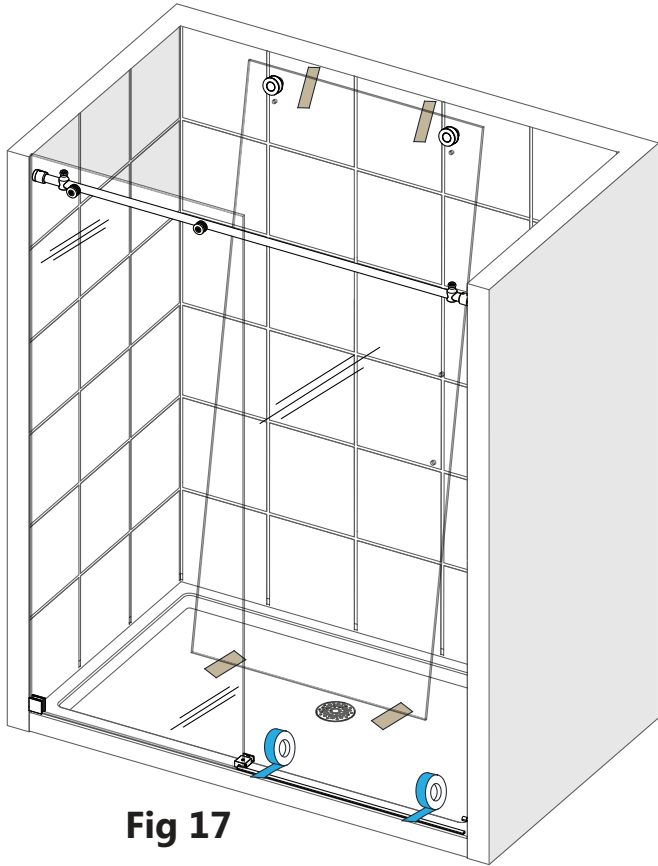


Fig 17

18

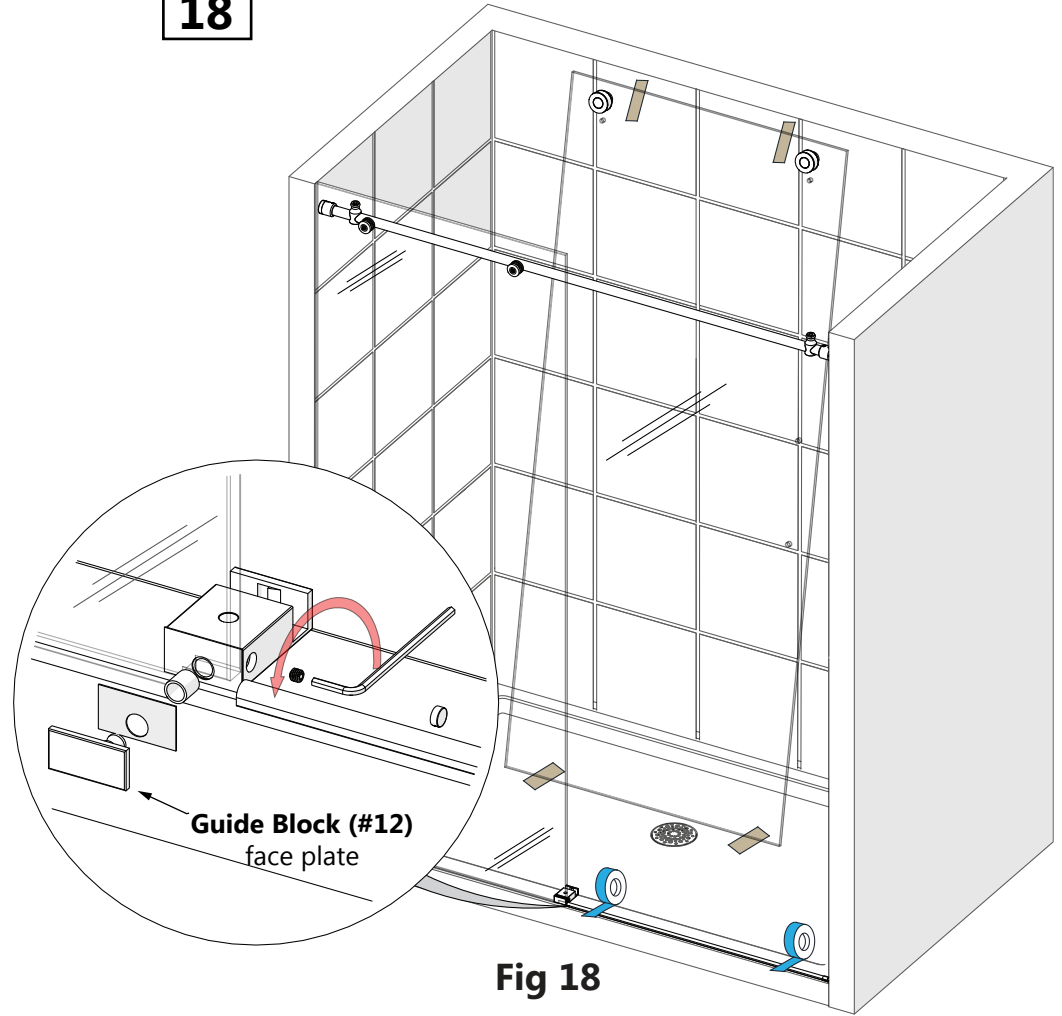
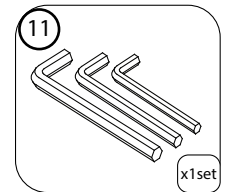


Fig 18

Guide Block (#12)  
face plate

Parts Needed



Tools Needed



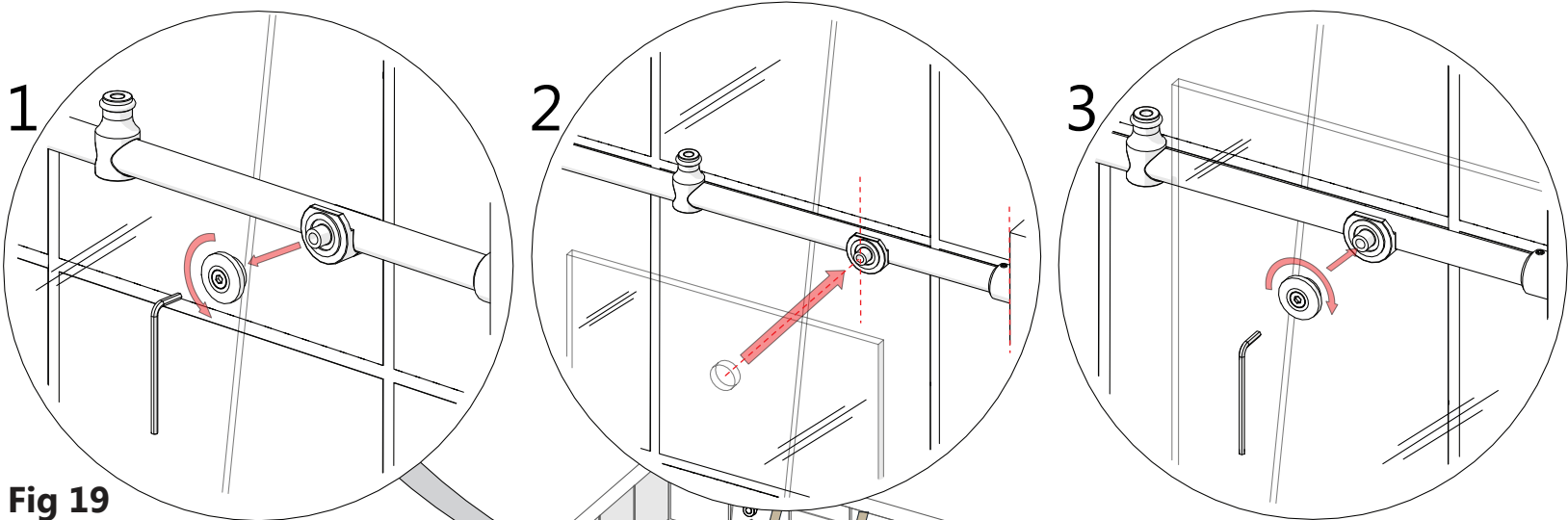
Secure the **Dam Strip (#15)** to the threshold with several pieces of painter's tape until the silicone fully cures.



Attach the **Guide Block face plate** to the installed **Guide Block (#12)**.

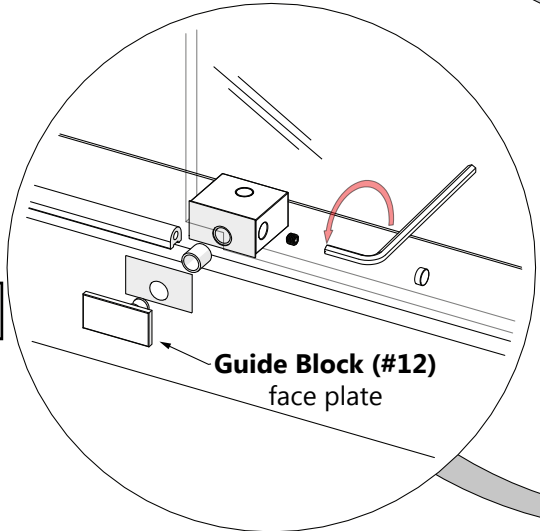
**19**

**72"**  
MODEL  
ONLY



**Fig 19**

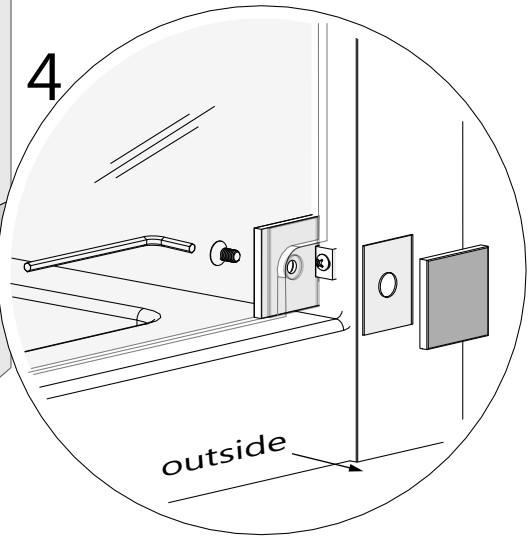
**20**



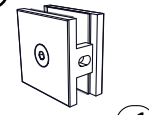

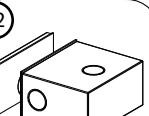
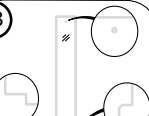
**Guide Block (#12)**  
face plate

**Fig 20**

**4**



**Parts Needed**

- 19**  (x1)
- 21**  (x1)
- 22**  (x1)
- 23**  (x1)

**Tools Needed**



**NOTE**

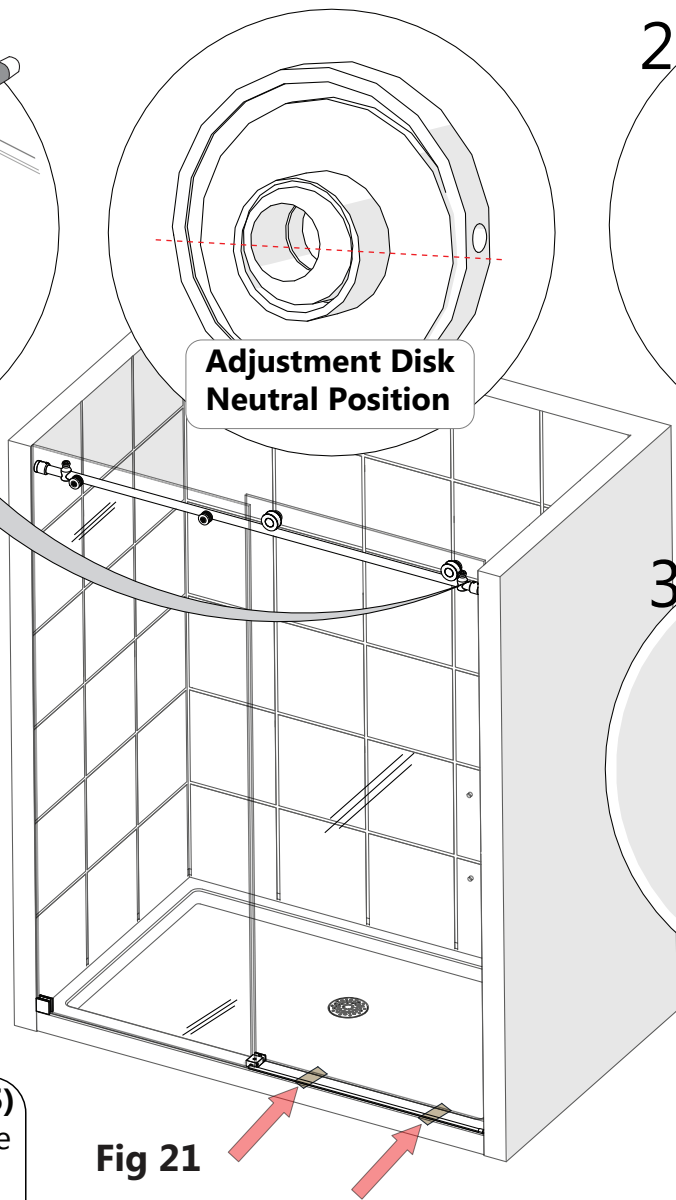
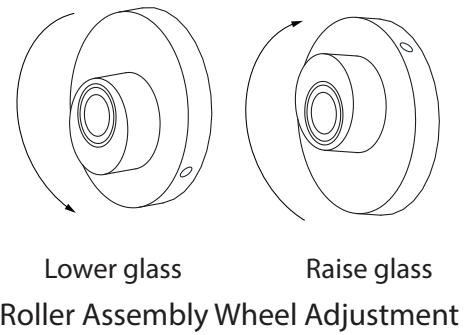
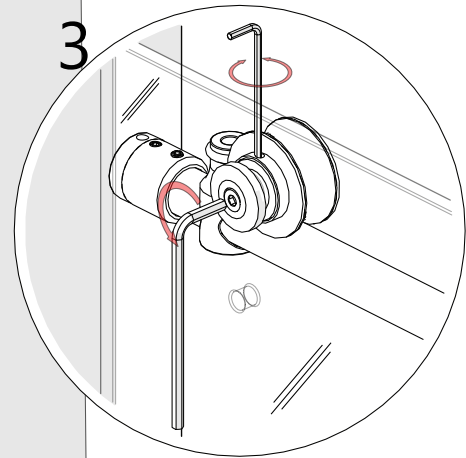
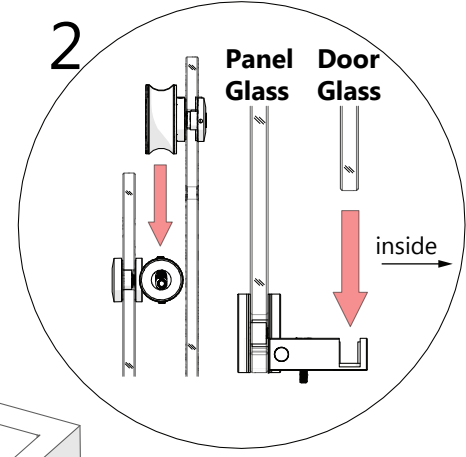
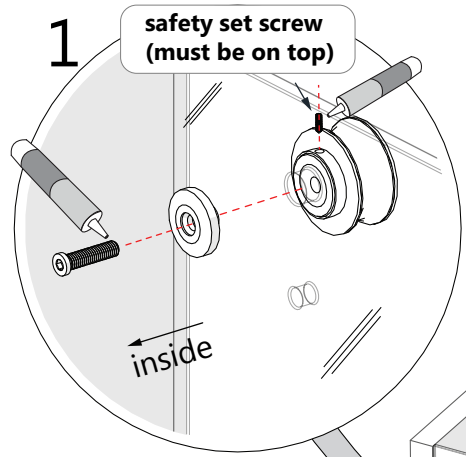
Secure the **Dam Strip (#15)** to the threshold with several pieces of painter's tape until the silicone fully cures.



21

# Roller Assembly Installation

**\*\*add threadlock to the safety set screw and wheel bolt**

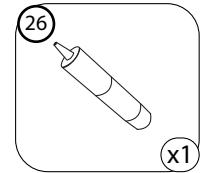
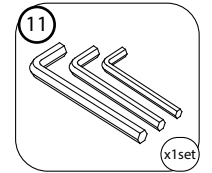


**TIP** Mark the location of the high spot on the outer surface of the adjustment disk with a felt tip pen to make adjustment easier to see.

**TIP** Use a 3/16" shim beneath the **Door Glass (#05)** when adjusting the level of the door so that the glass does not make contact with the guide block or threshold.

**NOTE** The adjustment disks in the wheels are the same as the disks in the Glass-to-Rail Brackets and can be rotated to adjust the **Door Glass (#05)** to create a seal with the wall. The **Safety Set Screw on both Roller Assembly Wheels MUST be re-tightened after installation** to prevent the wheel bolt from becoming loose. Apply **Thread Lock Adhesive (#26)** during installation. **See detailed description on page 34.**

**Parts Needed**



## Roller Assembly Adjustment Procedure for: Enigma, Enigma-X, Enigma-XO

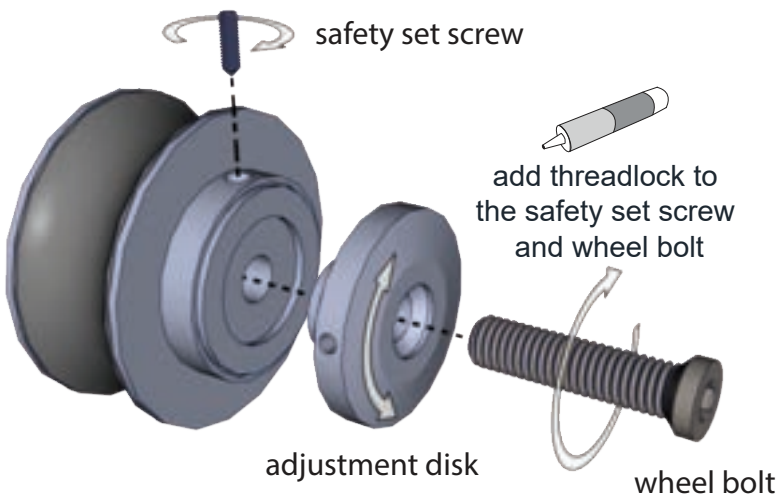
To create a good seal with the wall and to achieve minimal clearance beneath the door glass without making contact with the bottom guide block or threshold.  
Have at least two 3/16" shims or wedge shims (to maintain space beneath the door glass) and an assistant available to help with this procedure.  
Adjust only one wheel at a time. You may need to perform these steps more than once to get the desired results.

**NOTE:** Be sure to install the Bulb Vinyl Seal onto the edge of the door glass to protect the edge from contact with the wall during installation or adjustment.

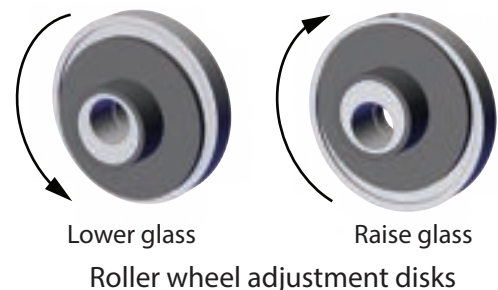


**CAUTION:** The door glass is heavy and may require two people to safely accomplish these steps. **DO NOT** adjust the Roller Assemblies without first securing the door glass with shims, an assistant or both.

1. First, loosen and lower either the Roller Guards (Enigma-X) or Bottom Rollers (Enigma/Enigma-XO) to allow enough room to adjust the upper rollers.
2. Loosen the safety set screw on the roller (remove and apply a drop of thread lock if not done already)
3. Loosen the wheel bolt just enough so that you can rotate the adjustment disk. (remove and apply a drop of thread lock if not done already)
4. Rotate the adjustment disk to raise or lower the door slightly with help from an assistant. You can use a small tool (like an allen wrench) to aid in turning this disk by inserting it into the small hole on the edge of the adjustment disk.
5. While holding the adjustment disk in place, retighten the wheel bolt. Use a shim or have an assistant hold the door glass in place while you retighten the wheel bolt.
6. Once satisfied with the adjustment, **it is very important to re-tighten the safety set screw** to secure the wheel bolt in place.
7. For the Enigma-X: Reposition the roller guards approximately 1/16" beneath the guide rail and retighten. For the Enigma and Enigma-XO: adjust the lower rollers to make contact with the guide rail using the same methods as described in the steps above.



The provided Thread Lock will remain workable for approximately 10-15 minutes before drying.



# Roller Guards

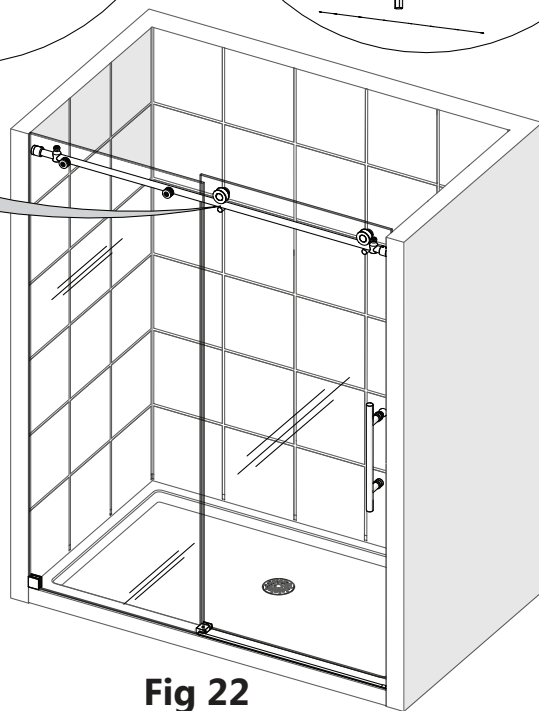
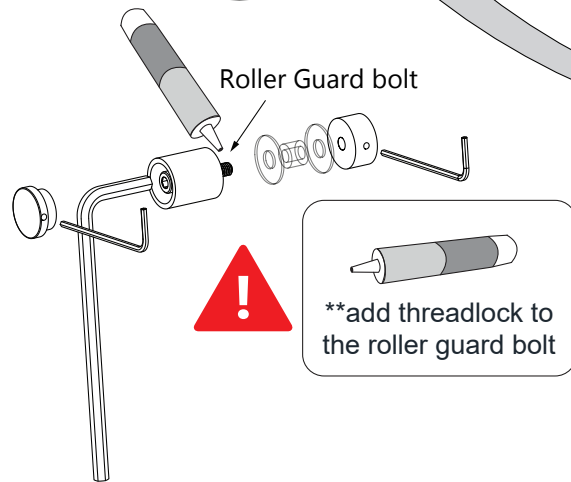
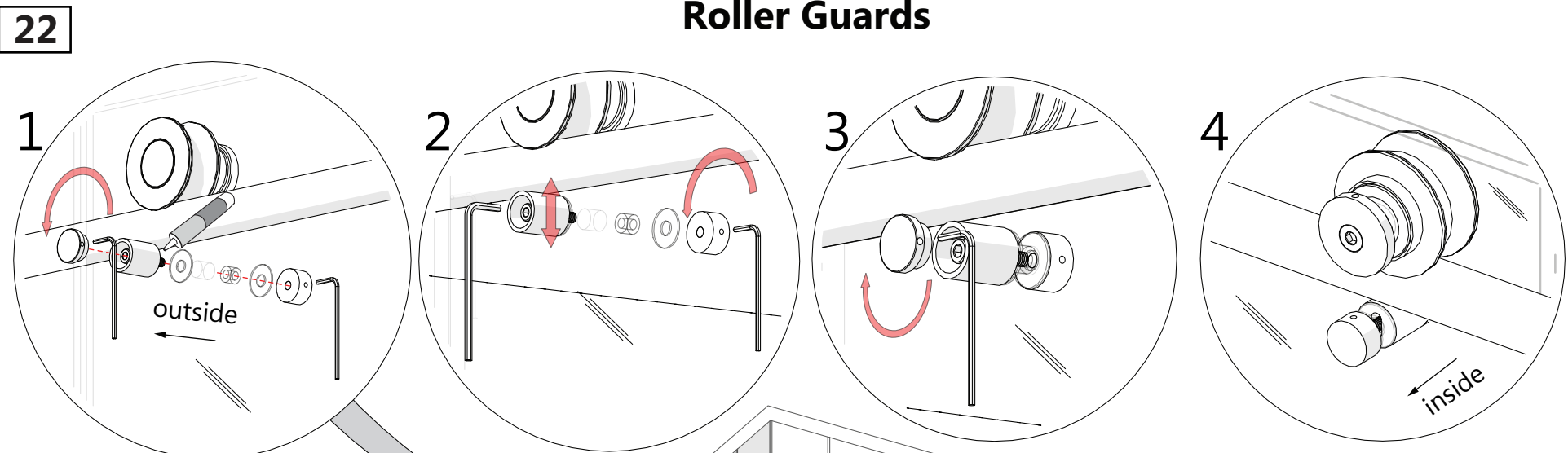
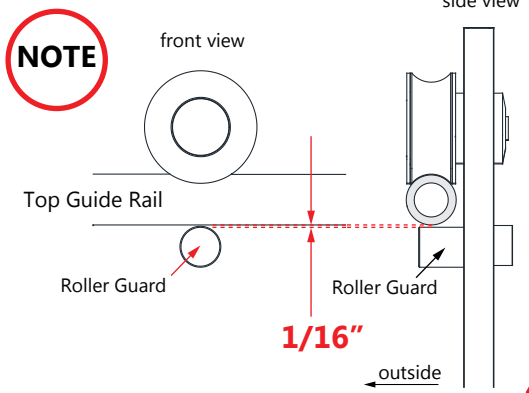
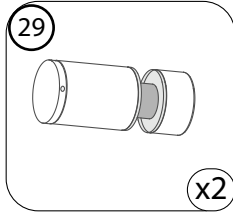
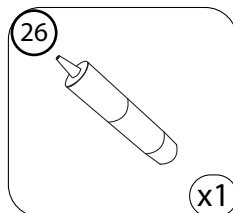
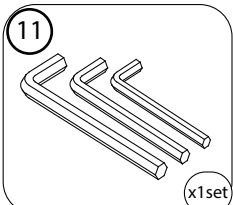


Fig 22



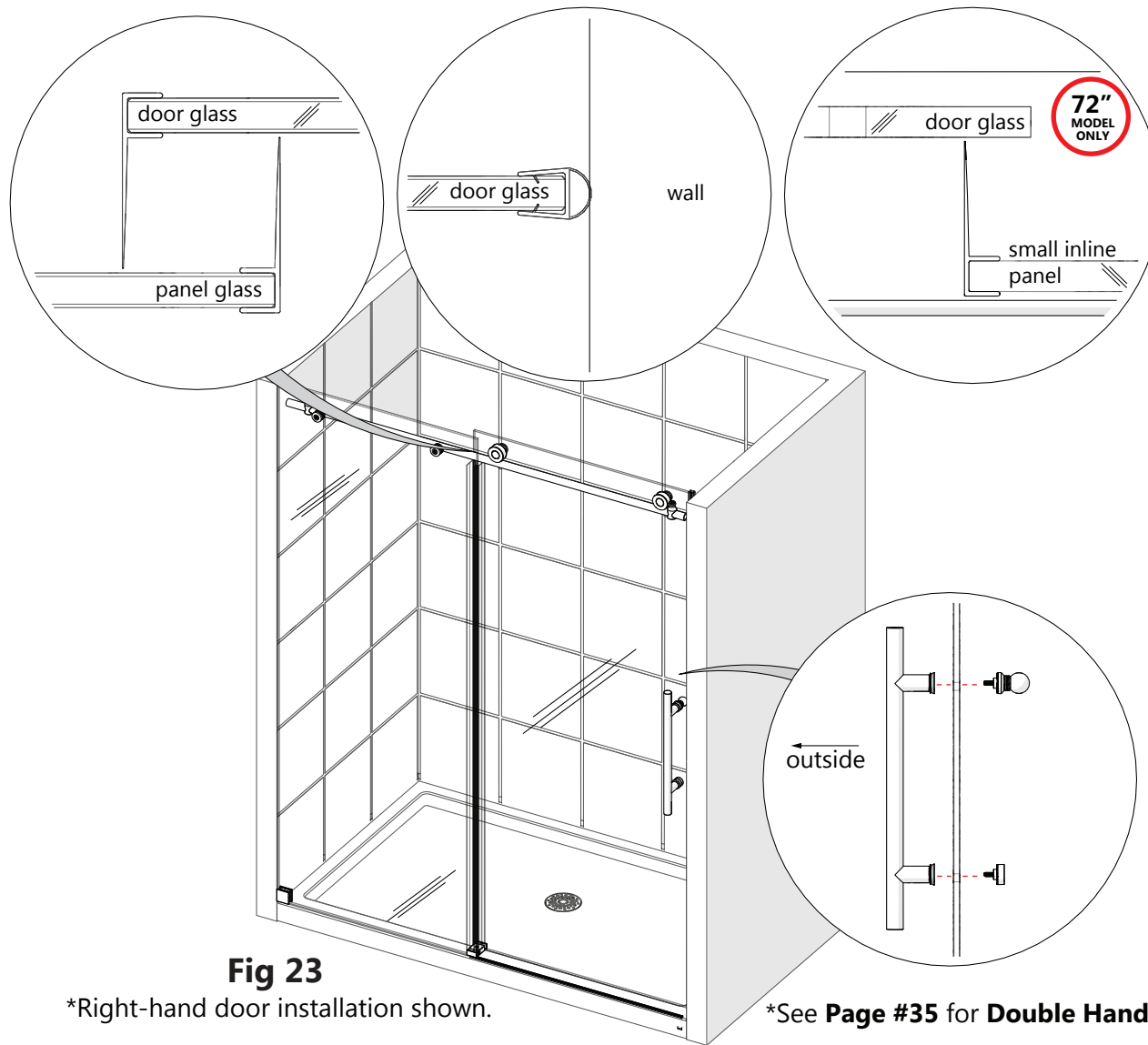
Position the **Roller Guard (#29)** 1/16" below the rail. Hold the roller guard bolt with the **Allen Wrench (#11)** and tighten the interior post using a small allen wrench (**Fig 22.2\***)

### Parts Needed



23

# Vinyl Seals & Handle Installation

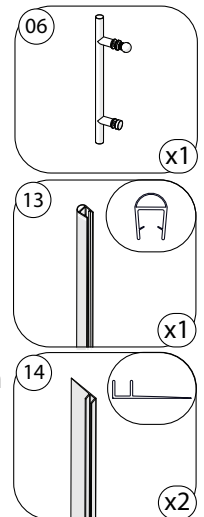


**Fig 23**

\*Right-hand door installation shown.

\*See **Page #35** for **Double Handle** installation

**Parts Needed**



**Tools Needed**



**For the 72" Model:** Attach the **Vertical Vinyl Seal (#14)** to the edge of the **Small Inline Panel Glass (#23)**. The **Bulb Vinyl Seal (#13)** is not necessary with the 72" model.



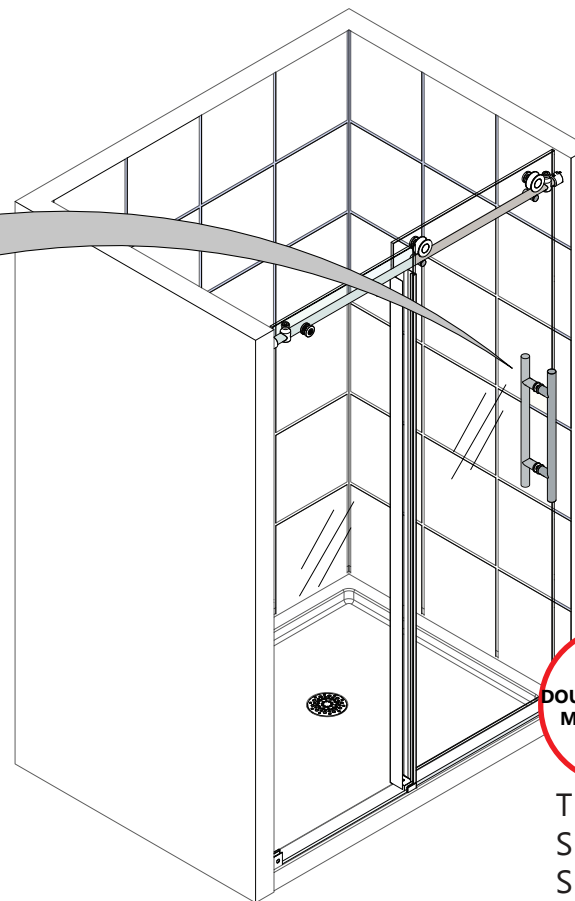
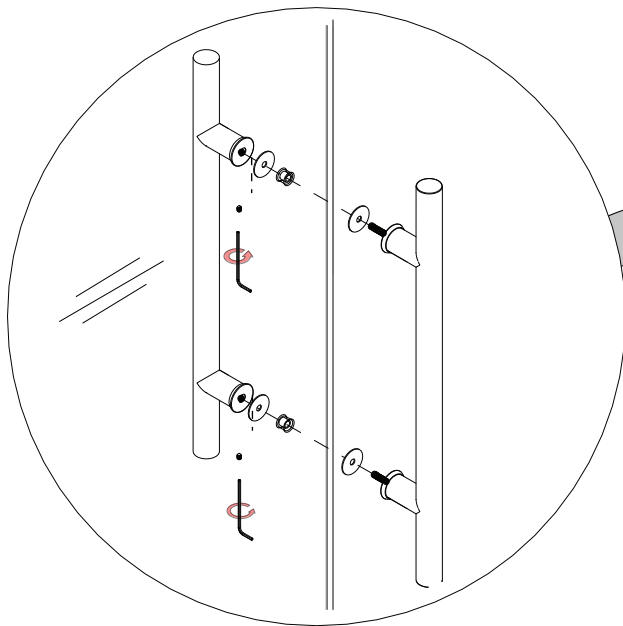
Use a razor knife to trim the **Vertical Vinyl Seal (#14)** at the top to avoid interfering with the **Roller Guards (#29)** and at the bottom where the door meets the **SafeStop™ Bumper (#30)**. **(Fig 23)**

23

## Double Handle Installation

**NOTE**

Never attempt to lift the Door Glass by the handle. Doing so may cause glass failure and/or serious injury.



**DOUBLE HANDLE  
MODEL ONLY**

TD61600620VDX##  
SD61720760VDX-##  
SD61480760VDX-##  
SD61600760VDX-##



Attach the **Double Handle** through the holes in the Door Glass. Be sure all screws and set screws are tight and that the gaskets and sleeves are correctly positioned to prevent any glass-to-metal contact.

### IMPORTANT

DreamLine® reserves the right to alter, modify or redesign products at any time without prior notice. For the latest up-to-date technical drawings, manuals, warranty information or additional details please refer to your model's web page on [DreamLine.com](https://www.dreamline.com)

24

# Door Stopper Installation

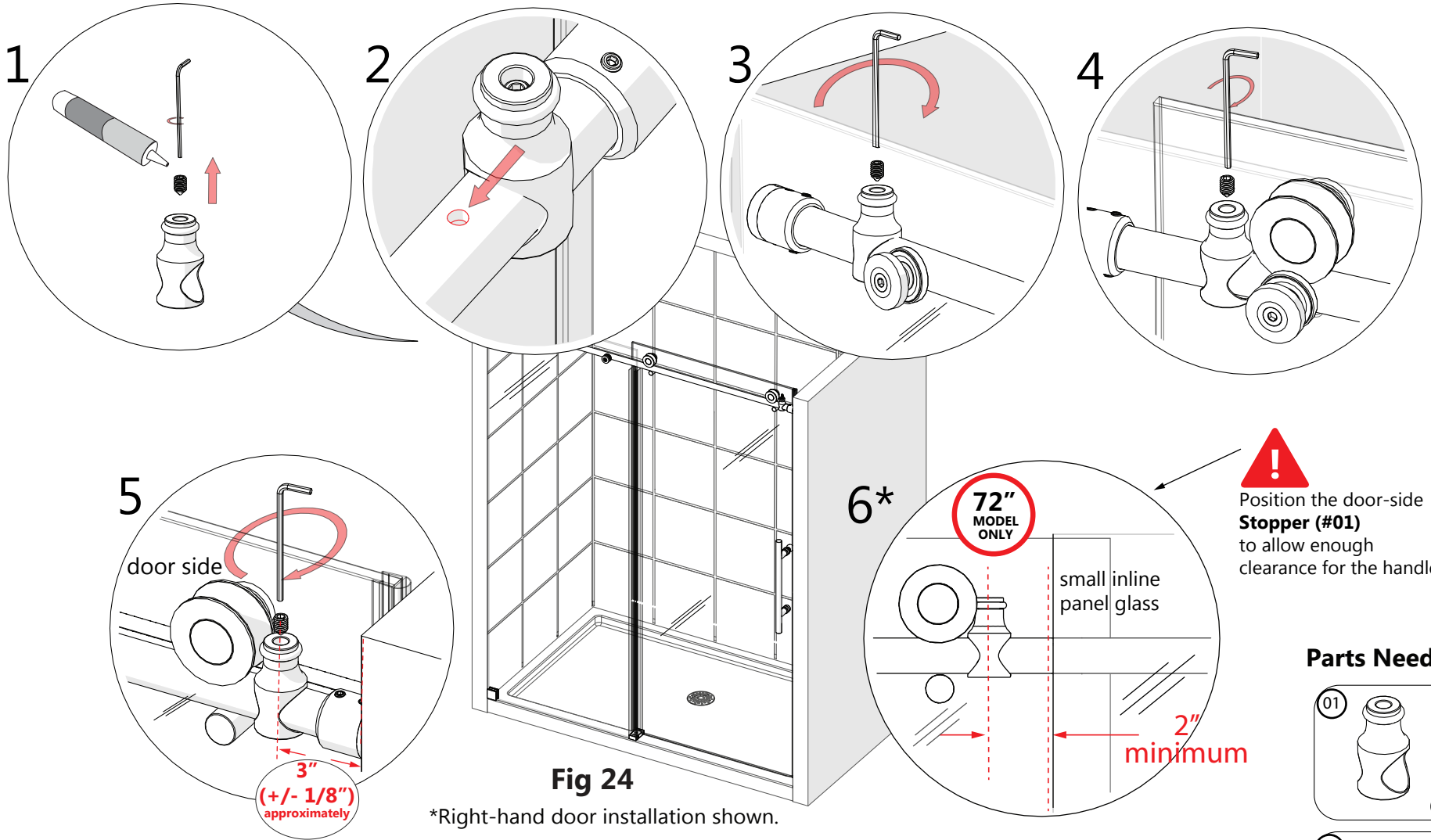


Fig 24

\*Right-hand door installation shown.

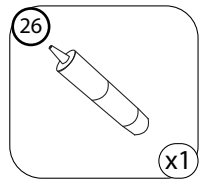
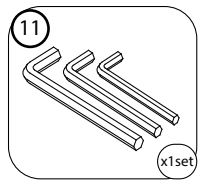
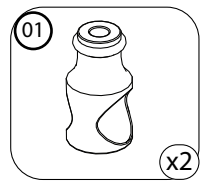
**Door Stopper Installation:**

1. Remove the set screw
2. Slide the **Door Stopper (#01)** onto the **Top Guide Rail (#03)**
3. Align with stopper hole in the guide rail (inline panel side only) (Fig 24.2)
4. Apply **Thread Lock Adhesive (#26)** to the set screw threads
5. Tighten screw into the stopper hole (inline panel side only)
6. Correctly position the door side stopper, use **Thread Lock Adhesive (#26)** and tighten the set screw. (Fig 24.5)



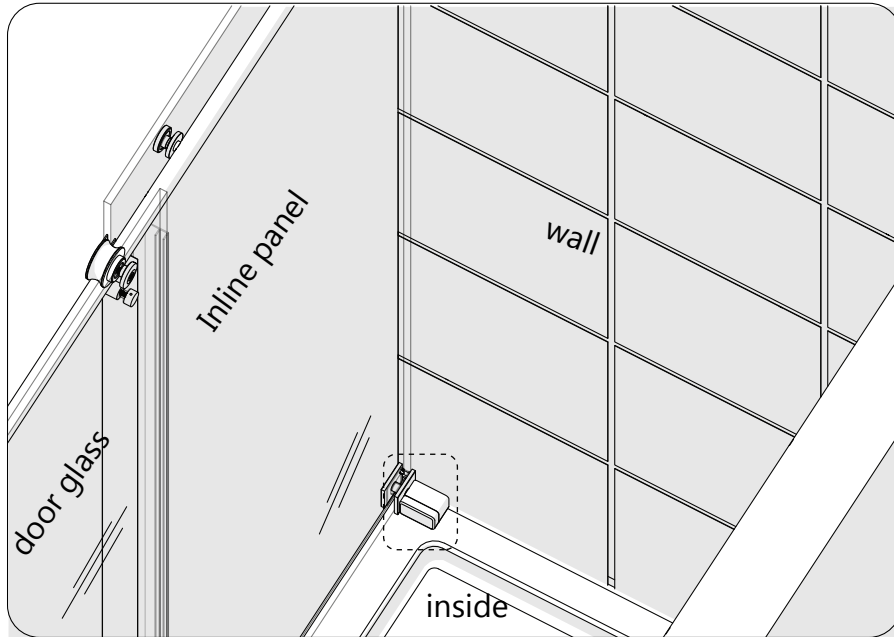
**\*For 72" Model:** Position the door-side **Stopper (#01)** at least 2" away from the small inline panel glass so that the handle cannot make contact with the glass when the door is in the closed position.

**Parts Needed**



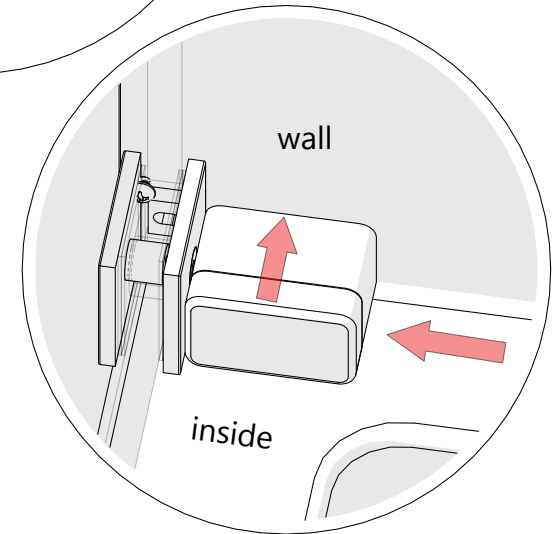
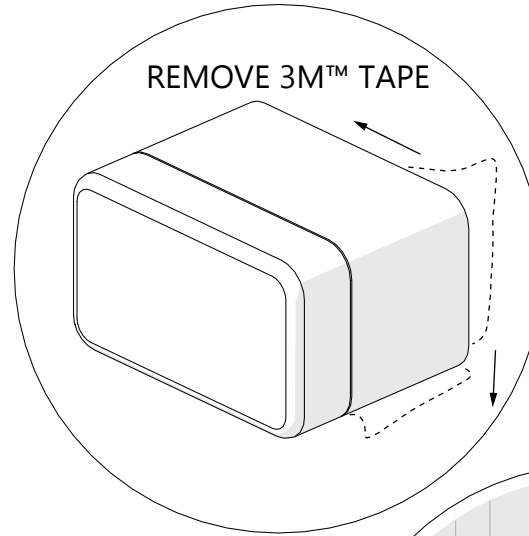
25

# SafeStop™ Bumper Installation - Option 1



**Fig 25**

\*Right-hand door installation shown.



The **SafeStop™ Bumper (#30)** is reversible for left or right wall installation.

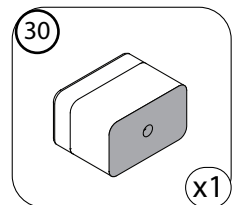


Install the **SafeStop™ Bumper (#30)** using the **3M™** tape. Screwing the **SafeStop™ Bumper** to the wall is optional (**see step 26\***).

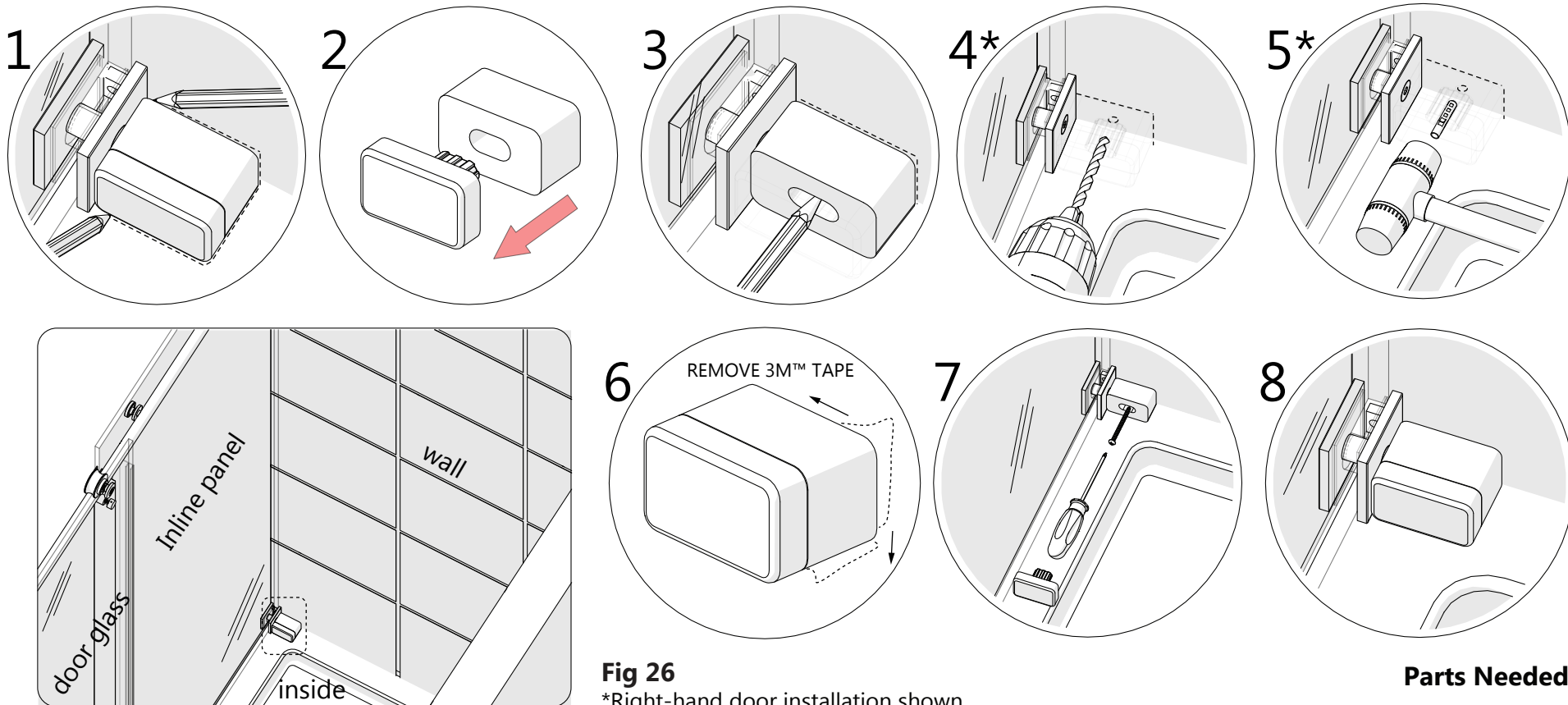


The surfaces need to be clean and free of construction debris before installing the **SafeStop™ Bumper (#30)**. Wipe the area with an alcohol swab before installation.

**Parts Needed**



## 26 SafeStop™ Bumper Screw Installation - Option 2



**Fig 26**  
\*Right-hand door installation shown.



Extender driver bit recommended for screw installation.



**For installing the SafeStop™ Bumper::**

- **If a stud is present behind the wall:**  
drill a  $\text{Ø}3/16''$  (4mm) hole up to the stud.
- OR**
- **If no stud is present behind the wall:**  
drill a  $\text{Ø}5/16''$  (10mm) hole and install the **Wall Anchor (#09b)**.

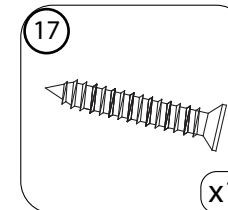
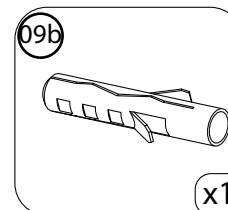


Use caution to not damage/crack the wall/tile and to avoid any plumbing behind the wall when using the screw method .



**For 72" Model:** This will be the side of the opening with the large stationary panel. Mark the position of the hole onto the wall. Drill the correct hole diameter (see Note above). Remove the 3M™ Tape and position the **SafeStop™ Bumper (#30)** onto the threshold against the **Wall Bracket (#19)** and attach using the **ST4.2 x 40 Countersunk Screw (#17)**. (Fig 26)

**Parts Needed**



**Tools Needed**





27

**NOTE**

The surfaces need to be clean and free of debris before applying silicone.

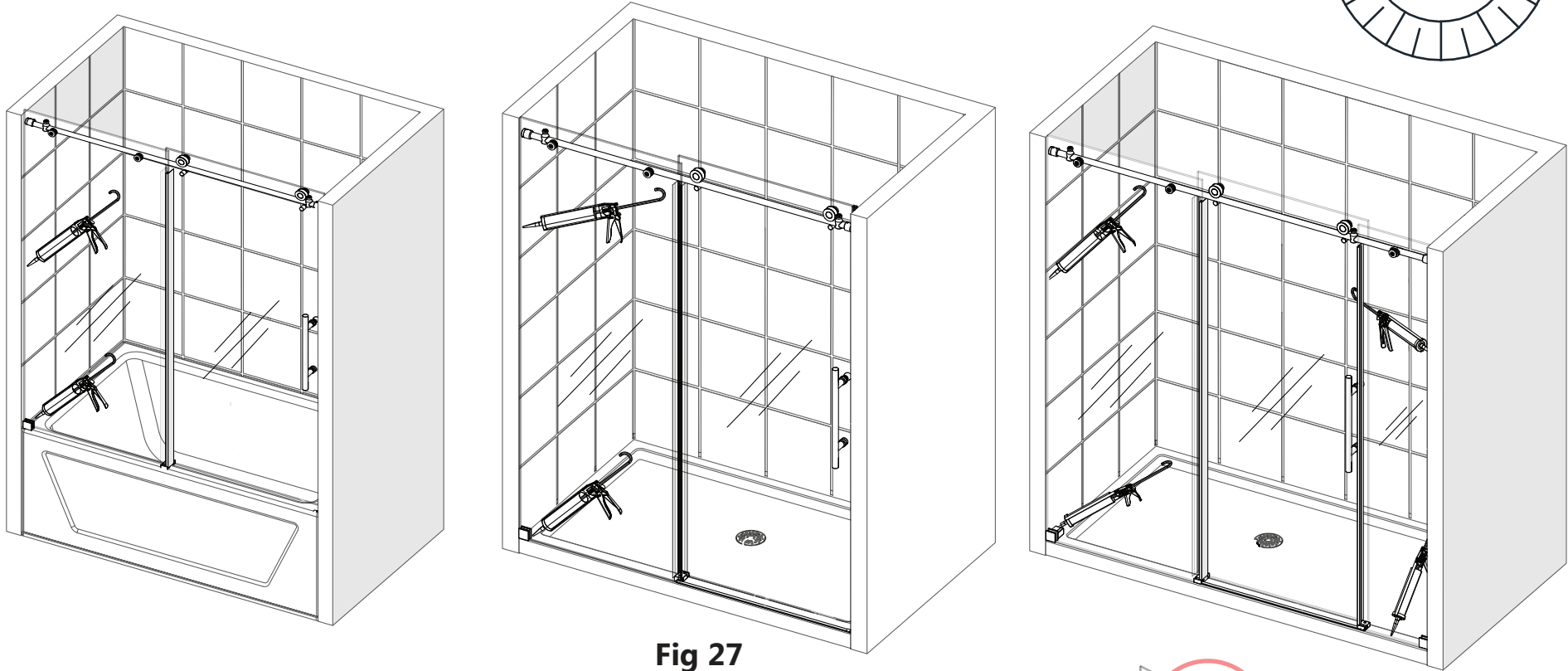


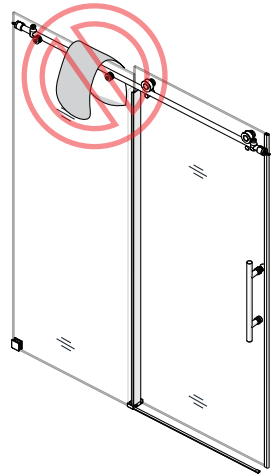
Fig 27



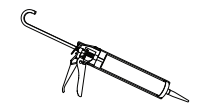
**Allow 24 hours for the silicone to cure before using the shower.**



**DO NOT** hang or drape a towel or wash cloth over the Enigma Top Guide Rail as this may cause the Roller Assembly wheels to get stuck and possibly cause serious damage or injury.



**Tools Needed**



## Product Maintenance

**BASES and BACKWALLS:** To ensure long lasting life for your acrylic back walls: wipe them off after each use with a soft cloth. To clean the acrylic back walls use non-abrasive sprays or cream based cleaners. Avoid the use of aerosol spray cleaners. Never use abrasive cleansers, metal brushes or scrapers that could permanently scratch or dull the surface.

**GLASS:** To ensure long lasting life for your glass shower products: wipe them off after each use with a soft cloth. Rinse and wipe off the glass using either a soft cloth or a squeegee to prevent soap buildup and water spots (Hard water can etch the surface of the glass over time if left to dry). To prevent scratching the surface: never use abrasive cleaners or cleaning products that contain scouring agents. Never use bristle brushes or abrasive sponges that may scratch the surface of the glass.

**HARDWARE:** To ensure a long lasting finish: wipe off all metal parts after each use with a soft cloth. Do not use abrasive cleaners or cleaning products containing ammonia, bleach or acid. If accidentally used, rinse the surface as soon as possible to prevent damage to the finish (peeling or corrosion). After cleaning the polished finishes, rinse thoroughly and wipe dry with a soft clean-cloth.

Clean stainless steel surfaces at least once a week. When applying stainless steel cleaner or polish to stainless steel hardware, work with the grain (not across the grain). Never use an abrasive sponge or cloth, steel wool or wired brush as these may permanently scratch the surfaces.

**NOTE** To maximize the life of your door, it is important to regularly inspect the glass and other hardware for misalignment, proper attachment, and/or damage. Contact DreamLine® with any questions or concerns.

### **Enigma-X Maintenance Checklist**

- Guide Rail** level and tight
- Guide Rail Brackets** tight to the walls
  - o All set screws tight
- Panel Glass** secure
- Panel Glass Brackets** tight
- Guide Block** square to the threshold and glass
- Proper clearance beneath the door glass between the threshold and within the guide block
- Door Glass** adjusted so that the **Bulb Vinyl Seal** makes even contact with the wall
- Wheel Assemblies** tight
  - o Wheel **Roller Bolts** tight
  - o Wheel Assembly **safety set screws** tight and accessible
- Stoppers** tight and positioned correctly
  - o **Panel-side Stopper** installed into the pre-drilled hole in the guide rail
  - o Adequate **Handle clearance** when the door is fully open
  - o **Door-side Stopper** positioned at approximately 3" (+/- 1/8") (as measured from the wall to the center of the stopper)
- Stopper stops the door and bulb vinyl seals to the wall
- SafeStop™ Bumper** secure to the wall
- Roller Guards** positioned within 1/16" beneath guide rail
- Remove vinyl seals to **inspect the edges of the Door Glass** for concealed damage
  - o **Damaged glass must be replaced!**
- Replace damaged or missing vinyl seals
- Inspect and replace silicone as necessary to prevent water leakage

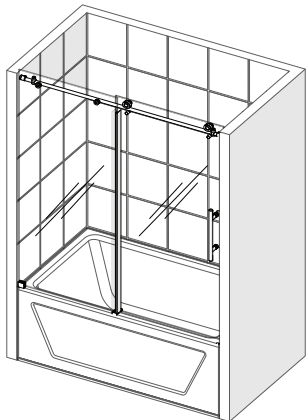
# Troubleshooting

Problem/Symptom	Suggested Solution
Missing Parts	<ul style="list-style-type: none"> <li>•Check all shipping/packaging material for missing parts/components.</li> <li>•If not found, contact DreamLine® Customer Support [1-866-731-2244] to order factory part replacement.</li> </ul>
<b>Top Guide Rail (#03)</b> was cut too short or was cut from wrong end during installation.	<ul style="list-style-type: none"> <li>•The Top Guide Rail (#03) is pre-cut for the model size, and will be shorter than the model width to allow for the Guide Rail Brackets (#08).</li> <li>•If the Top Guide Rail (#03) is cut too short or cut from the wrong end, contact DreamLine® Customer Support [1-866-731-2244] to order factory part replacement.</li> </ul>
Water Leakage	<ul style="list-style-type: none"> <li>•Confirm the <b>Dam Strip (#15)</b>, <b>Bulb Vinyl Strip (#13)</b>, and the <b>Vertical Vinyl Strips (#14)</b> are installed correctly. [see Page 34]</li> <li>•Confirm that the entire unit has been properly sealed with silicone caulk; allow at least 24 hours to allow the silicone to cure and set before using the shower unit.</li> <li>•Direct the shower head/water flow away from the area.</li> </ul>
The door rolls open or closed	<ul style="list-style-type: none"> <li>•Check the <b>Top Guide Rail (#03)</b> for level. Adjust the <b>Guide Rail Brackets (#08)</b> if necessary. [see Step 14]</li> <li>•Adjust the <b>Roller Wheel Assemblies (#04)</b> on the door, if needed, to allow the door to seal evenly against the wall.</li> <li>•To influence the <b>Top Guide Rail (#03)</b> slightly, the innermost <b>Glass-to-Rail Brackets (#07)</b> can be adjusted.</li> </ul>
The door does not track smoothly	<ul style="list-style-type: none"> <li>•Confirm the <b>Guide Block (#12)</b> is square to the <b>Panel Glass (#02)</b> and threshold. [see Steps 13a-136b]</li> <li>•Confirm the <b>Door Glass (#05)</b> is not making contact with the bottom of the <b>Guide Block (#12)</b>.</li> <li>•If the <b>Door Glass (#05)</b> needs to be raised, adjust the <b>Roller Wheel Assemblies (#04)</b> to raise it. [see Pages 31-32]</li> <li>•Be sure that there is nothing on the <b>Top Guide Rail (#03)</b> that could block the <b>Roller Wheel Assemblies (#04)</b>.</li> <li>•Check the <b>Roller Guards (#29)</b> are 1/16" beneath the <b>Top Guide Rail (#03)</b> and are not making any contact with the <b>Top Guide Rail (#03)</b>. [see Page 33]</li> </ul>
Door travels too far in either direction	<ul style="list-style-type: none"> <li>•Confirm both <b>Door Stoppers (#01)</b> are correctly installed and secured with the <b>Threadlock Adhesive (#26)</b>.</li> <li>•Check that the <b>Door Stopper (#01)</b> on the <b>Panel Glass (#02)</b> side is tightly installed into the hole on the <b>Top Guide Rail (#03)</b>. The <b>Door Stoppers (#01)</b> should stop the door glass, not the wall. [see Page 35]</li> </ul>
Mishandled glass	<ul style="list-style-type: none"> <li>•Always take precautions when handling tempered glass.</li> <li>•A glass suction cup and an assistant are helpful when carrying large, heavy lites of glass.</li> <li>•Never allow tempered glass (especially the edges) to come in contact with any hard surface, which can cause chipping, splintering or complete glass failure.</li> <li>•Any damaged glass should be immediately replaced.</li> <li>•Do not use a shower with damaged glass.</li> <li>•Leave plastic corner protectors on the glass until ready to install.</li> <li>•Always protect the glass once removed from the box by padding the top and bottom of the glass with cardboard, styrofoam or other soft material until ready to install.</li> </ul>



Prior to contacting DreamLine® Customer Service, please have the following information readily available:

- Purchase Order Information
  - Name, PO Number, Dealer/Vendor Name, etc.
- SKU/Model Number (see Pages 41-44)
- Factory Part Information (see Pages 41-44)



### Enigma-X Tub 60x62

SHDR-61606210-##

TD61600620VDX##

TD61600620VDG##

##=finish

06 - Oil Rubbed Bronze

09 - Satin Black

07 - Brushed Stainless Steel

08 - Polished Stainless Steel

18 - Tuxedo

D - Double Handle

G - Smoke Gray Glass

## Factory Parts Information

ENIGMA-X Tub		FACTORY PARTS INFORMATION	
ITEM #	FACTORY PART NUMBER	ITEM DESCRIPTION	QTY
01	0702 <b>1</b> 036 / 0702 <b>5</b> 036 / 0702 <b>6</b> 036 / 0702 <b>9</b> 036	Door Stopper	2pcs
02	010112005 / 010112048	Panel Glass	1pc
03	0712 <b>1</b> 044 / 0712 <b>5</b> 044 / 0712 <b>6</b> 044 / 0712 <b>9</b> 044	Top Guide Rail	1pc
04	0735 <b>1</b> 006 / 0735 <b>5</b> 006 / 0735 <b>6</b> 006 / 0735 <b>9</b> 006	Roller Assembly	2pcs
05	010112006 / 010112050	Door Glass	1pc
06	0722 <b>1</b> 003 / 0722 <b>5</b> 003 / 0722 <b>6</b> 003 / 0722 <b>9</b> 003 0722 <b>1</b> 034 / 0722 <b>5</b> 034 / 0722 <b>6</b> 034 / 0722 <b>9</b> 034	Handle / Handles	1pc
07	0702 <b>1</b> 104 / 0702 <b>5</b> 104 / 0702 <b>6</b> 104 / 0702 <b>9</b> 104	Glass-to-Rail Bracket	2pcs
08	0702 <b>1</b> 097 / 0702 <b>5</b> 097 / 0702 <b>6</b> 097 / 0702 <b>9</b> 097	Guide Rail Bracket	2pcs
09a	07550044	Wall Anchor 3/8" (10mm)	2pcs
09b	07550045	Wall Anchor 5/16" (8mm)	2pcs
10	090112	ST6x65 Large Truss Head Screw	2pcs
11	098003 / 098004 / 098005	Allen Wrench (3mm, 4mm,	1set
12	0702 <b>1</b> 138 / 0702 <b>4</b> 138 / 0702 <b>6</b> 138 / 0702 <b>9</b> 138	Guide Block (with caps)	1pc
13	063007100-1565	Bulb Vinyl Seal	1pc
14	063027100-1436 & 063027100-1445	Vertical Vinyl Seal	2pcs
15	041000 <b>1</b> 1-0813 / 041000 <b>4</b> 1-0813 / 041000 <b>6</b> 1-0813 / 041000 <b>9</b> 1-0813	Dam Strip	1pc
16	0755 <b>1</b> 068 / 0755 <b>4</b> 068 / 0755 <b>6</b> 068 / 0755 <b>9</b> 068	Dam Strip Cap	1pc
17	092108	ST4.2x40 Countersunk Screw	2pcs
18	090113	ST4.2x55 Truss Head Screw	2pcs
19	0702 <b>1</b> 004 / 0702 <b>4</b> 004 / 0702 <b>6</b> 004 / 0702 <b>9</b> 004	Wall Bracket	1pc
26	160012	Thread Lock Adhesive	1pc
29	0702 <b>1</b> 144 / 0702 <b>4</b> 144 / 0702 <b>6</b> 144 / 0702 <b>9</b> 144	Roller Guard	2pcs
30	0702 <b>1</b> 153 / 0702 <b>4</b> 153 / 0702 <b>6</b> 153 / 0702 <b>9</b> 153	SafeStop™ Bumper	1pc

**BOLD** digit indicates finish color:

**1 or 8** = Polished SS

**4 or 5 or 7** = Brushed SS

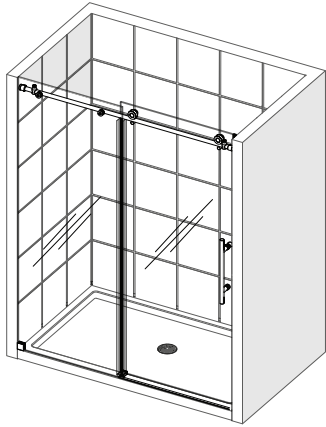
**6** = Oil Rubbed Bronze

**9** = Satin Black

Contact [Support@DreamLine.com](mailto:Support@DreamLine.com) for Part replacement, installation assistance or additional information

Complete **Warranty** information is available on [DreamLine.com](http://DreamLine.com)

# Factory Parts Information



## Enigma-X Shower 48x76

SHDR-61487610-##  
SD61480760VDX##  
SD61480760VDG##

##=finish  
06 - Oil Rubbed Bronze  
09 - Satin Black  
07 - Brushed Stainless Steel  
08 - Polished Stainless Steel  
18 - Tuxedo

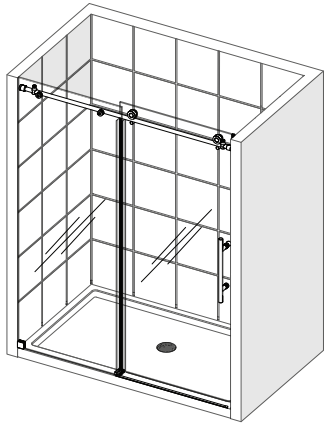
D - Double Handle  
G - Smoke Gray Glass

48x76 ENIGMA-X Shower		FACTORY PARTS INFORMATION	
ITEM #	FACTORY PART NUMBER	ITEM DESCRIPTION	QTY
01	0702 <b>1</b> 036 / 0702 <b>5</b> 036 / 0702 <b>6</b> 036 / 0702 <b>9</b> 036	Door Stopper	2pcs
02	010112001 / 010112047	Panel Glass	1pc
03	0712 <b>1</b> 043 / 0712 <b>5</b> 043 / 0712 <b>6</b> 043 / 0712 <b>9</b> 043	Top Guide Rail	1pc
04	0735 <b>1</b> 006 / 0735 <b>5</b> 006 / 0735 <b>6</b> 006 / 0735 <b>9</b> 006	Roller Assembly	2pcs
05	010112003 / 010112049	Door Glass	1pc
06	0722 <b>1</b> 003 / 0722 <b>5</b> 003 / 0722 <b>6</b> 003 / 0722 <b>9</b> 003 0722 <b>6</b> 034 / 0722 <b>1</b> 034 / 0722 <b>5</b> 034 / 0722 <b>9</b> 034	Handle / Handles	1pc
07	0702 <b>1</b> 104 / 0702 <b>5</b> 104 / 0702 <b>6</b> 104 / 0702 <b>9</b> 104	Glass-to-Rail Bracket	2pcs
08	0702 <b>1</b> 097 / 0702 <b>5</b> 097 / 0702 <b>6</b> 097 / 0702 <b>9</b> 097	Guide Rail Bracket	2pcs
09a	07550044	Wall Anchor 3/8" (10mm)	2pcs
09b	07550045	Wall Anchor 5/16" (8mm)	2pcs
10	90112	ST6x65 Large Truss Head Screw	2pcs
11	098003 / 098004 / 098005	Allen Wrench (3mm, 4mm, 5mm)	1set
12	0702 <b>1</b> 138 / 0702 <b>4</b> 138 / 0702 <b>6</b> 138 / 0702 <b>9</b> 138	Guide Block (with caps)	1pc
13	063007100-1920	Bulb Vinyl Seal	1pc
14	063027100-1791 & 063027100-1800	Vertical Vinyl Seal	2pcs
15	041000 <b>1</b> 1-0660 / 041000 <b>4</b> 1-0660 / 041000 <b>6</b> 1-0660 / 041000 <b>9</b> 1-0660	Dam Strip	1pc
16	0755 <b>1</b> 068 / 0755 <b>4</b> 068 / 0755 <b>6</b> 068 / 0755 <b>9</b> 068	Dam Strip Cap	1pc
17	092108	ST4.2x40 Countersunk Screw	2pcs
18	090113	ST4.2x55 Truss Head Screw	2pcs
19	0702 <b>1</b> 004 / 0702 <b>4</b> 004 / 0702 <b>6</b> 004 / 0702 <b>9</b> 004	Wall Bracket	1pc
26	160012	Thread Lock Adhesive	1pc
29	0702 <b>1</b> 144 / 0702 <b>4</b> 144 / 0702 <b>6</b> 144 / 0702 <b>9</b> 144	Roller Guard	2pcs
30	0702 <b>1</b> 153 / 0702 <b>4</b> 153 / 0702 <b>6</b> 153 / 0702 <b>9</b> 153	SafeStop™ Bumper	1pc

**BOLD** digit indicates finish color:

- 1 or 8** = Polished SS
- 4 or 5 or 7** = Brushed SS
- 6** = Oil Rubbed Bronze
- 9** = Satin Black

Contact [Support@DreamLine.com](mailto:Support@DreamLine.com) for Part replacement, installation assistance or additional information  
Complete **Warranty** information is available on [DreamLine.com](http://DreamLine.com)



## Factory Parts Information

60x76 ENIGMA-X Shower {SHDR-61607610-##}		FACTORY PARTS INFORMATION	
ITEM #	FACTORY PART NUMBER	ITEM DESCRIPTION	QTY
1	0702 <b>1</b> 036 / 0702 <b>5</b> 036 / 0702 <b>6</b> 036 / 0702 <b>9</b> 036	Door Stopper	2pcs
2	010112002 / 015000009	Panel Glass	1pc
3	0712 <b>1</b> 044 / 0712 <b>5</b> 044 / 0712 <b>6</b> 044 / 0712 <b>9</b> 044	Top Guide Rail (for 60")	1pc
4	0735 <b>1</b> 006 / 0735 <b>5</b> 006 / 0735 <b>6</b> 006 / 0735 <b>9</b> 006	Roller Assembly	2pcs
5	010112004 / 010112027	Door Glass	1pc
6	0722 <b>1</b> 003 / 0722 <b>5</b> 003 / 0722 <b>6</b> 003 / 0722 <b>9</b> 003 07226034 / 07221034 / 07225034 / 07229034	Handle / Handles	1pc
7	0702 <b>1</b> 104 / 0702 <b>5</b> 104 / 0702 <b>6</b> 104 / 0702 <b>9</b> 104	Glass-to-Rail Bracket	2pcs
8	0702 <b>1</b> 097 / 0702 <b>5</b> 097 / 0702 <b>6</b> 097 / 0702 <b>9</b> 097	Guide Rail Bracket	2pcs
09a	07550044	Wall Anchor 3/8" (10mm)	2pcs
09b	07550045	Wall Anchor 5/16" (8mm)	2pcs
10	090112	ST6x65 Large Truss Head Screw	2pcs
11	098003 / 098004 / 098005	Allen Wrench (3mm, 4mm, 5mm)	1set
12	0702 <b>1</b> 138 / 0702 <b>4</b> 138 / 0702 <b>6</b> 138 / 0702 <b>9</b> 138	Guide Block (with caps)	1pc
13	063007100-1920	Bulb Vinyl Seal	1pc
14	063027100-1791 & 063027100-1800	Vertical Vinyl Seal	2pcs
15	041000 <b>1</b> 1-0813 / 041000 <b>4</b> 1-0813 / 041000 <b>6</b> 1-0813 / 041000 <b>9</b> 1-0813	Dam Strip	1pc
16	0755 <b>1</b> 068 / 0755 <b>4</b> 068 / 0755 <b>6</b> 068 / 0755 <b>9</b> 068	Dam Strip Cap	1pc
17	092108	ST4.2x40 Countersunk Screw	2pcs
18	090113	ST4.2x55 Truss Head Screw	2pcs
19	0702 <b>1</b> 004 / 0702 <b>4</b> 004 / 0702 <b>6</b> 004 / 0702 <b>9</b> 004	Wall Bracket	1pc
26	160012	Thread Lock Adhesive	1pc
29	0702 <b>1</b> 144 / 0702 <b>4</b> 144 / 0702 <b>6</b> 144 / 0702 <b>9</b> 144	Roller Guard	2pcs
30	0702 <b>1</b> 153 / 0702 <b>4</b> 153 / 0702 <b>6</b> 153 / 0702 <b>9</b> 153	SafeStop™ Bumper	1pc

### Enigma-X Shower 60x76

SHDR-61607610-##

SD61600760VDX-##

SD61600760VDG-##

##=finish

06 - Oil Rubbed Bronze

09 - Satin Black

07 - Brushed Stainless Steel

08 - Polished Stainless Steel

18 - Tuxedo

D - Double Handle

G - Smoke Gray Glass

**BOLD** digit indicates finish color:

**1 or 8** = Polished SS

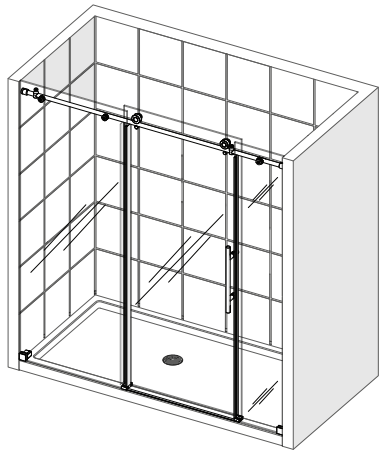
**4 or 5 or 7** = Brushed SS

**6** = Oil Rubbed Bronze

**9** = Satin Black

Contact [Support@DreamLine.com](mailto:Support@DreamLine.com) for Part replacement, installation assistance or additional information

Complete **Warranty** information is available on [DreamLine.com](http://DreamLine.com)



## Enigma-X Shower 72x76

SHDR-61727610-##

SD61720760VDX-##

SD61720760VDG-##

(SHDR-61607610-##)+(SHDR-61127610-##)

##=finish

06 - Oil Rubbed Bronze

09 - Satin Black

07 - Brushed Stainless Steel

08 - Polished Stainless Steel

D - Double Handle

G - Smoke Gray Glass

### Contact

**Support@DreamLine.com** for Part replacement, installation assistance, or additional information. Complete **Warranty** information is available on **DreamLine.com**.

## Factory Parts Information

**72"**  
MODEL  
ONLY

60x76 ENIGMA-X Shower (72" Model) {SHDR-61607610-###}		FACTORY PARTS INFORMATION	
ITEM #	FACTORY PART NUMBER	ITEM DESCRIPTION	QTY
01	0702 <b>1</b> 036 / 0702 <b>5</b> 036 / 0702 <b>6</b> 036 / 0702 <b>9</b> 036	Door Stopper	2pcs
02	010112002 / 015000009	Panel Glass	1pc
04	0735 <b>1</b> 006 / 0735 <b>5</b> 006 / 0735 <b>6</b> 006 / 0735 <b>9</b> 006	Roller Assembly	2pcs
05	010112004 / 010112027	Door Glass	1pc
06	07221003 / 07225003 / 07226003 / 07229003 07226034 / 07221034 / 07225034 / 07229034	Handle / Handles	1pc
07	0702 <b>1</b> 104 / 0702 <b>5</b> 104 / 0702 <b>6</b> 104 / 0702 <b>9</b> 104	Glass-to-Rail Bracket	2pcs
08	0702 <b>1</b> 097 / 0702 <b>5</b> 097 / 0702 <b>6</b> 097 / 0702 <b>9</b> 097	Guide Rail Bracket	2pcs
09a	07550044	Wall Anchor 3/8" (10mm)	2pcs
09b	07550045	Wall Anchor 5/16" (8mm)	2pcs
10	090112	ST6x65 Large Truss Head Screw	2pcs
11	098003-098004-098005	Allen Wrench (3mm, 4mm, 5mm)	1set
12	0702 <b>1</b> 138 / 0702 <b>4</b> 138 / 0702 <b>6</b> 138 / 0702 <b>9</b> 138	Guide Block (with caps)	1pc
14	063027100-1791 & 063027100-1800	Vertical Vinyl Seal	2pcs
15	041000 <b>1</b> 1-0770 / 041000 <b>4</b> 1-0770 / 041000 <b>6</b> 1-0770 / 041000 <b>9</b> 1-0770	Dam Strip (for 72")	1pc
16	0755 <b>1</b> 068 / 0755 <b>4</b> 068 / 0755 <b>6</b> 068 / 0755 <b>9</b> 068	Dam Strip Cap	1pc
17	092108	ST4.2x40 Countersunk Screw	2pcs
18	090113	ST4.2x55 Truss Head Screw	2pcs
19	0702 <b>1</b> 004 / 0702 <b>4</b> 004 / 0702 <b>6</b> 004 / 0702 <b>9</b> 004	Wall Bracket	1pc
26	160012	Thread Lock Adhesive	1pc
29	0702 <b>1</b> 144 / 0702 <b>4</b> 144 / 0702 <b>6</b> 144 / 0702 <b>9</b> 144	Roller Guard	2pcs
30	0702 <b>1</b> 153 / 0702 <b>4</b> 153 / 0702 <b>6</b> 153 / 0702 <b>9</b> 153	SafeStop™ Bumper	1pc
12x76 ENIGMA-X Small In-line Panel Glass {SHDR-61127610-##}		FACTORY PARTS INFORMATION	
ITEM #	FACTORY PART NUMBER	ITEM DESCRIPTION	QTY
09b	07550045	Wall Anchor 5/16" (8mm)	2pcs
11	098003-098004-098005	Allen Wrench (3mm, 4mm, 5mm)	1 set
14	063018100-1800	Vertical Vinyl Seal	1pc
18	090113	ST4.2x55 Truss Head Screw	1pc
19	0702 <b>1</b> 004 / 0702 <b>4</b> 004 / 0702 <b>6</b> 004 / 0702 <b>9</b> 004	Wall Bracket	1pc
21	0702 <b>1</b> 043 / 0702 <b>5</b> 043 / 0702 <b>6</b> 043 / 0702 <b>9</b> 043	Small In-line Panel Glass-to-Rail Bracket	1pc
22	0702 <b>1</b> 005 / 0702 <b>4</b> 005 / 0702 <b>6</b> 005	Small In-line Panel Glass Bottom Bracket	1pc
23	010113003 / 010113029	Small In-line Panel Glass	1pc
24	0712 <b>1</b> 045 / 0712 <b>5</b> 045 / 0712 <b>6</b> 045	Top Guide Rail (for 72")	1pc
25	091107	ST4.2x40 Countersunk Screw	1pc

**BOLD** digit indicates finish color:

**1 or 8** = Polished SS **4 or 5 or 7** = Brushed SS

**6** = Oil Rubbed Bronze **9** = Satin Black



---

---

TEL: 866-731-2244  
FAX: 866-857-3638  
DREAMLINE.COM



For more information on DreamLine® Shower Doors and Enclosures please visit **DreamLine.com**