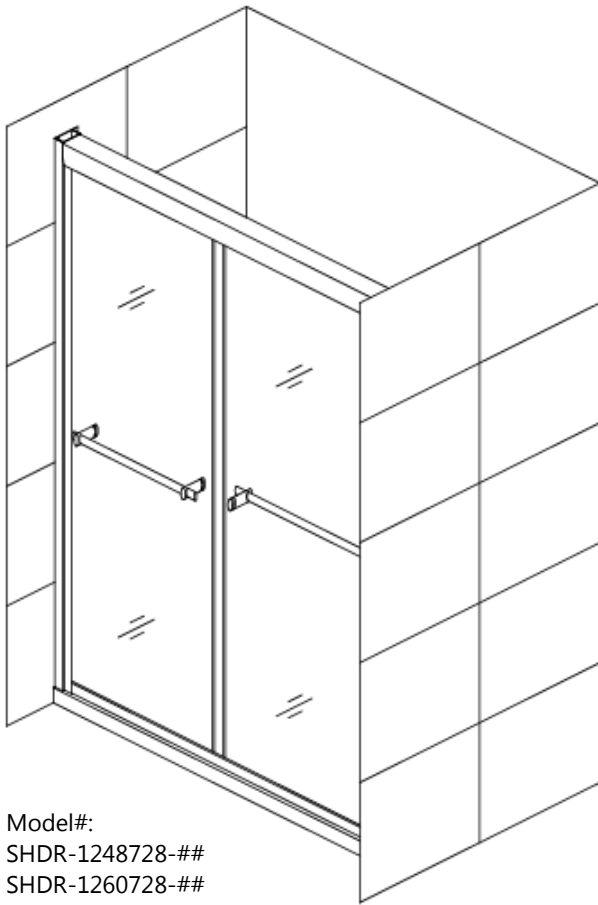


DUET

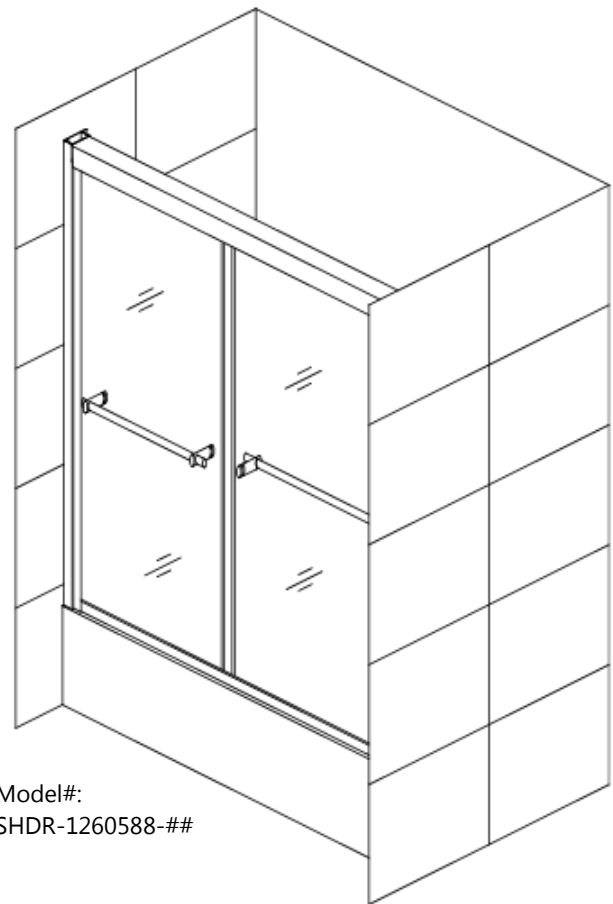
SHOWER DOOR/TUB DOOR INSTALLATION INSTRUCTIONS

IMPORTANT

DreamLine[®] reserves the right to alter, modify or redesign products at any time without prior notice. For the latest up-to-date technical drawings, manuals, warranty information or additional details please refer to your model's web page on **DreamLine.com**



Model#:
SHDR-1248728-##
SHDR-1260728-##



Model#:
SHDR-1260588-##

= finish: 01- Chrome / 04-Brushed Nickel



Questions?

Please Call **DreamLine** Customer Support: **1-855-831-2126**
Hours of Operation M-F 8AM - 7PM EST and Saturday 9AM - 5PM EST

Support@DreamLine.com



For more information about DreamLine[®] products please visit DreamLine.com



This model is treated with DreamLine's exclusive ClearMax™ Glass technology. This is a specially-formulated coating that prevents the build up of soap and water spots.

Install the surface with the ClearMax™ label towards the inside of the shower. Please note that depending on the model, the glass may be coated on either one or both surfaces.

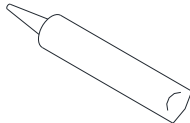
For best results, squeegee the glass after each use and dry with a soft cloth.

Preparation

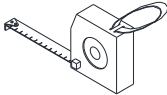
1. Prior to installation, examine all boxes and packages for shipping damage and compare the piece count with your packing slip. After opening all boxes and packages read this introduction carefully. Check that all of the needed parts are included in the package by checking off the components on the "Detailed Diagram of Shower Door Components". If the unit has been damaged, has a finishing defect, or has missing parts, please contact our customer support department within **3 business days** of the delivery date. Please note that **DreamLine® will not replace any damaged products or missing parts free of charge after 3 business days or if the product has been installed.** Feel free to contact DreamLine® if you have any questions and please provide an order number, job name or other proof of purchase to help identify the original order.
2. If this unit is going to be installed in a new construction, install all of the required plumbing and drainage before installing the shower. **Use a competent and licensed (if required by local code) plumber for all plumbing installation.**
3. **Please note that you should consult your local building codes with questions on installation compliance standards. Building and plumbing codes may vary by location, and DreamLine® is not responsible for code compliance standards for your project and will not accept any returns.**
4. Please make sure that prior to beginning the installation, the surfaces are leveled and solid and will be able to support the total weight of the unit. Also make sure the walls are at right angles. Irregular installation surface level, radius corners or improper angle of side walls will result in serious problems for your installation. Please, note that some adjustments and drilling might be necessary during the installation process.
5. Please protect all primary surfaces of the product during installation. Never set your glass down directly onto a tile floor. Leave corner protectors in place until necessary to remove them. Always use a piece of wood or cardboard to protect the bottom edge and corners of the glass prior to and during installation.
6. **This model has 1/2" of adjustment per wall profile for out-of-plumb wall conditions and overall width within the model size. Confirm the finished opening conditions before proceeding with the installation.**
7. **This model requires a minimum 2" of flat threshold space and 3" of flat wall space for installation.**
8. This unit must be installed upon a finished threshold (or tub deck) and against finished walls.
9. Professional installation recommended.

These instructions show the installation of the shower door. Please follow the same steps for the installation of the tub door.

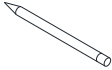
Tools Required



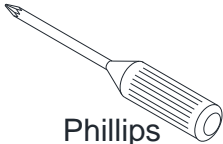
Caulk



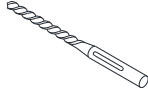
Tape Measure



Pencil



Phillips Screwdriver



Drill bit (Ø=5/16")



Drill bit (Ø=1/8")



Level



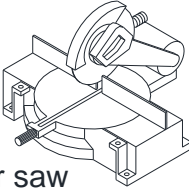
Caulk Gun



Electric Drill

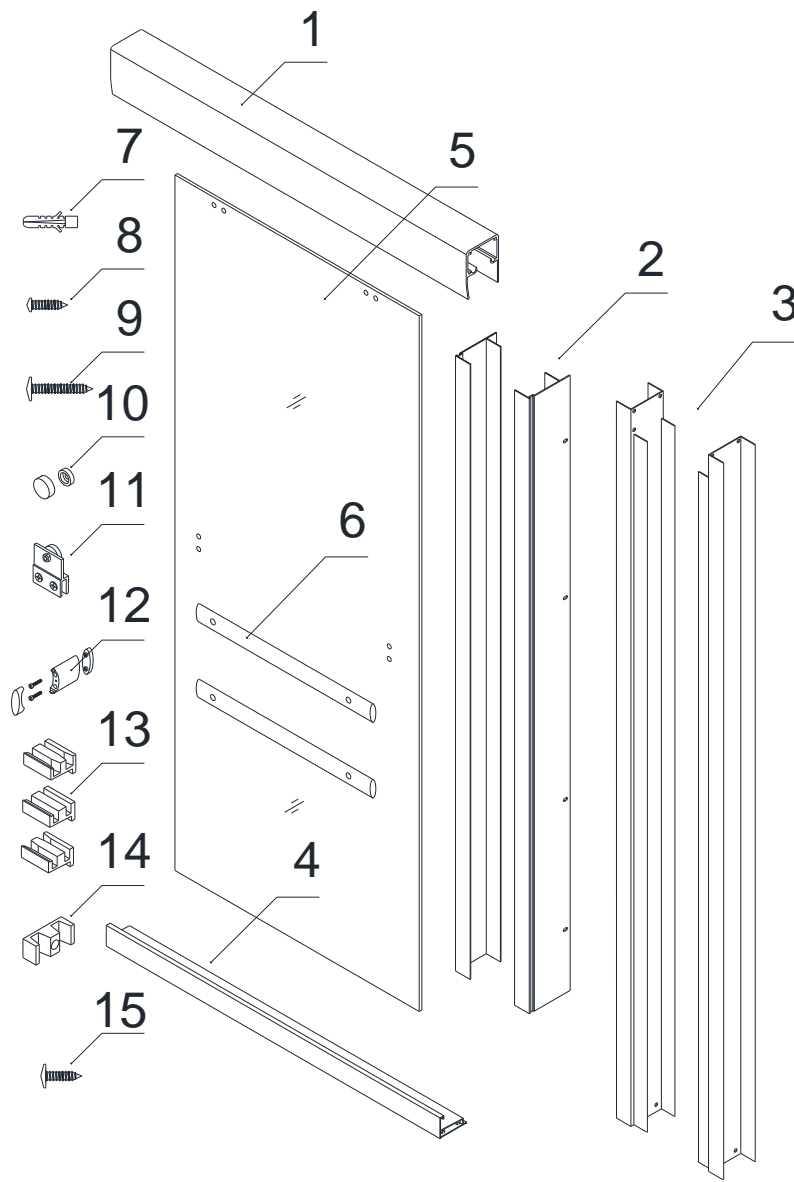


Hammer



Miter saw

Detailed Diagram of Shower Door/Tub Door Components



The glass surface with the **ClearMax™** label must be installed to face inside of the shower

Packing List

01	Upper guide rail	1pc	09	Truss head screw ST4.2×40	8pcs
02	Wall profile	2pcs	10	Decorative cover with washer	10pcs
03	Glass profile - 1 Left / 1 Right	2pcs	11	Roller	4pcs
04	Bottom guide rail	1pc	12	Handle bracket with screws	4 sets
05	Glass door	2pcs	13	Guide block (left, right, middle)	1 set
06	Handle	2pcs	14	Rubber stopper	6pcs
07	Wall anchor	8pcs	15	Truss head screw ST4.2×16	10pcs
08	Pan head screw ST4.2×16	16pcs			

NOTE: Unpack your unit carefully and inspect it. Identify all parts using the detailed diagram and packing list in this manual as a reference. Before discarding the carton, check for small hardware bags that may have fallen to the bottom of the box. If any parts are damaged or missing, please contact DreamLine® for replacement. The shipping boxes may contain extra parts not used in your model configuration. **NOTE:** Retain these installation instructions for future reference.

Shower Door Installation

1. Measure the distance between the two finished walls at the top (at unit height), middle and bottom. The wall profiles will adjust for out-of-plumb conditions. Use the smallest measurement as the finished dimension. See Fig. 1 for details.

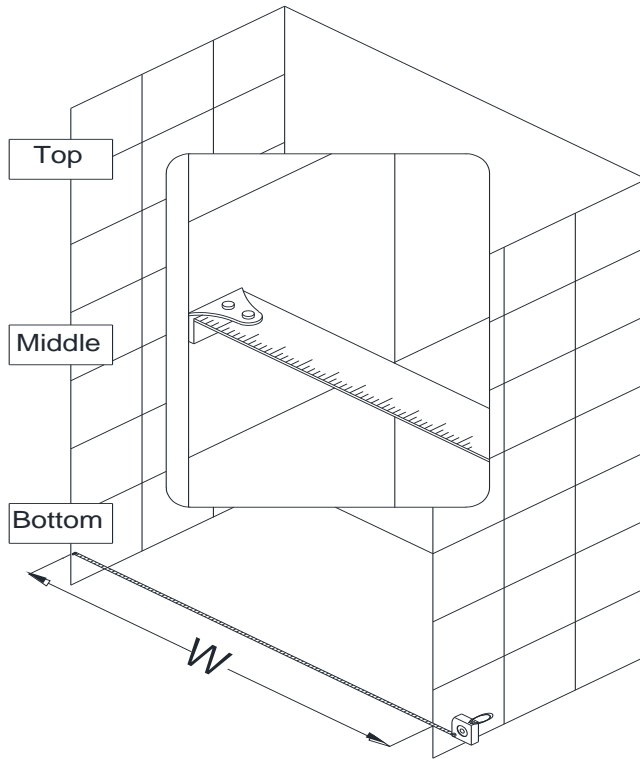


Fig. 1

The **Upper guide rail (#01)** and the **Bottom guide rail (#04)** have been pre-cut for your model width. See the table below:

Model Size	Precut Rail Length
48" (for shower)	45-3/4"
60" (for shower)	57-3/4"
59" (for tub)	56-3/4"

NOTE: The top and bottom guide rails are made to fit between the wall profiles and are shorter than the model size by design.

Use this formula to determine your finished cut length:

FINISHED OPENING – 2-1/4" = FINISHED CUT LENGTH "D"

2. Cut the **Upper guide rail (#01)** and **Bottom guide rail (#04)** to the finished cut length "D"
 - In order to keep the center guide holes centered, cut the **Bottom guide rail (#04) equally from both ends** to the same finished length "D" as the **Upper guide rail (#01)**.

See Fig. 2 for details.

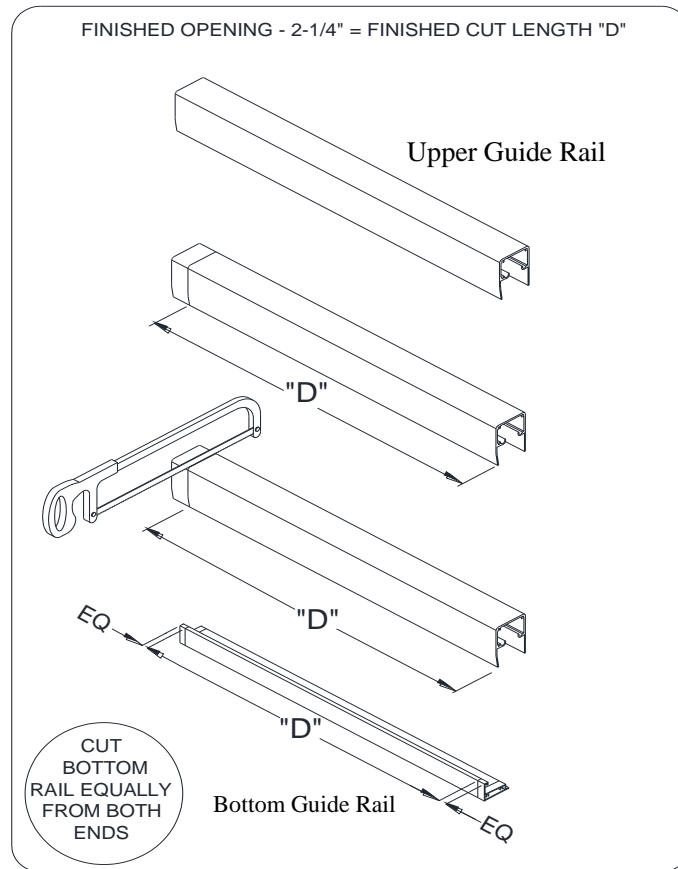


Fig. 2

- Secure **Upper guide rail (#01)** and **Bottom guide rail (#04)** to the **Glass profiles (#03)** with the **Truss head screws ST4.2×16 (#15)**.

See Fig. 3 and Fig. 4 for details.

Note: There are 3 holes in the top end of the glass profiles. Align these holes with the holes in the Upper guide rail to determine the left and right glass profile.

TIP: For ease of assembly, add some liquid soap, wax or lubricant to the screws prior to attaching the glass profiles to the guide rails. Using a low setting on your power drill can also prevent stripping the screws.

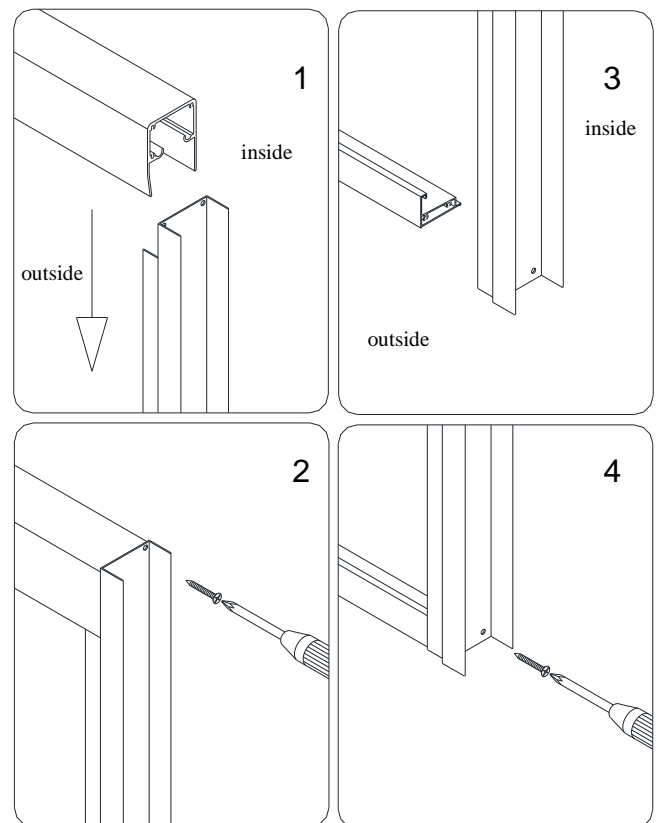


Fig. 3

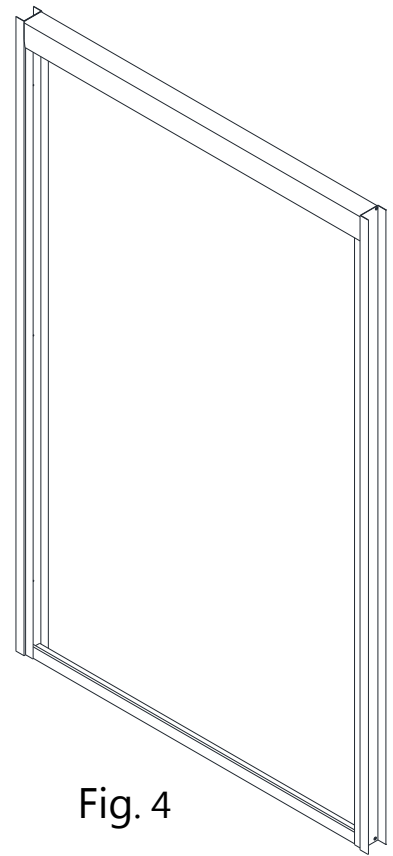


Fig. 4

4. Push the **Glass Profiles (#03)** all the way over the **Wall Profiles (#02)**. Make sure the Wall Profile flange faces inside the shower.

See Fig. 5 and Fig. 6 for details.

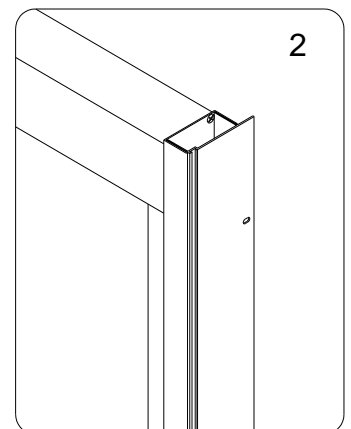
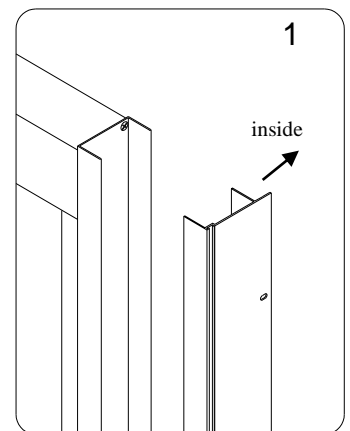


Fig. 5

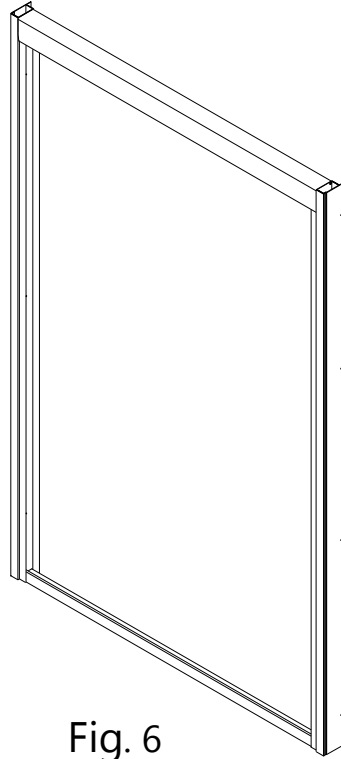


Fig. 6

5. Move the assembled frame to the designated position and adjust the **Wall profiles (#02)** so that they are tight to the walls by slightly pulling them out of the **Glass Profiles (#03)** if necessary.

NOTE: Use a level to check the wall profiles for plumb and vertical while marking the holes for drilling.

See Fig. 7 for details.

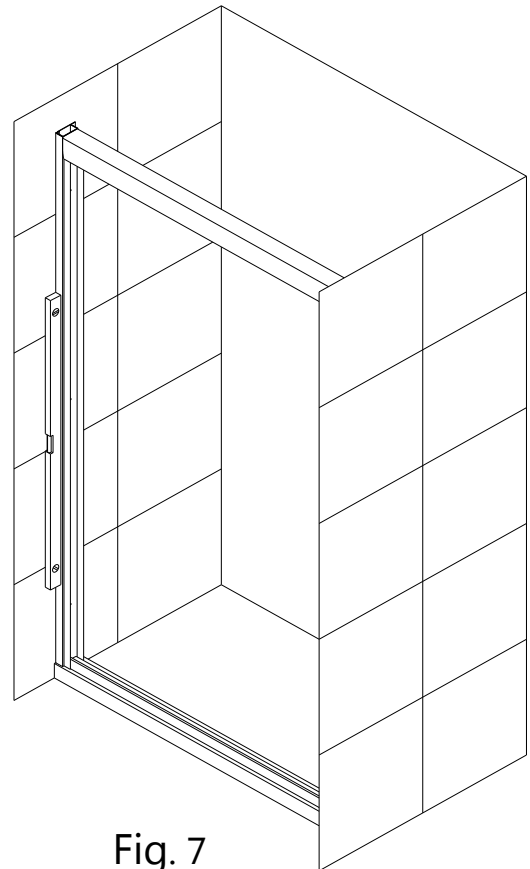


Fig. 7

6. Hold the frame in the correct position, mark the drill holes on the wall through the holes on the flange of the **Wall Profile (#02)**.

Set the assembled unit aside; drill the holes in the wall using a **Ø5/16"** drill bit and insert the **Wall anchors (#07)**.

See Fig. 8 for details.

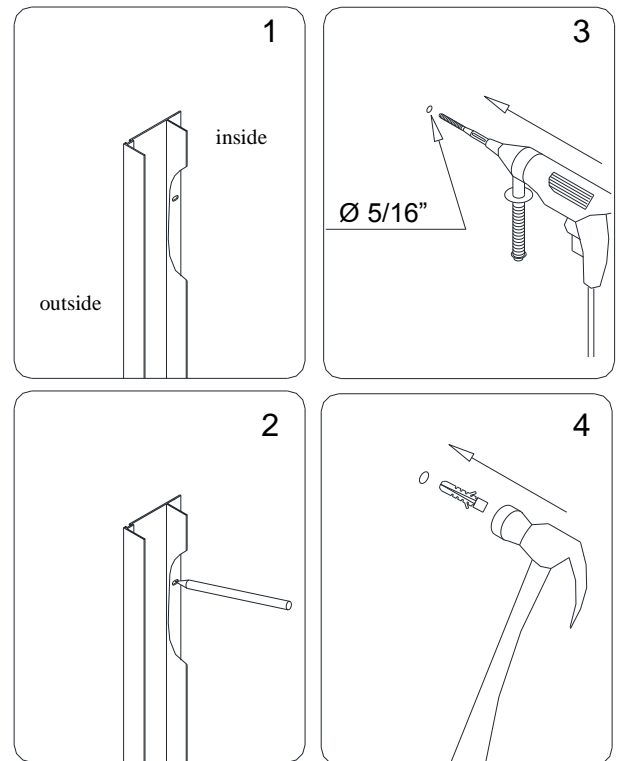


Fig. 8

7. Apply silicone to the back of the wall profiles, into the drilled holes and to the bottom of the bottom guide rail prior to attaching to the opening. Place the frame back into position and secure it to the walls using **Truss Head ST4.2 x 40 screws (#09)**. Use a level to re-check the wall profiles for plumb before fully tightening the wall screws.

See Fig. 9 for details.

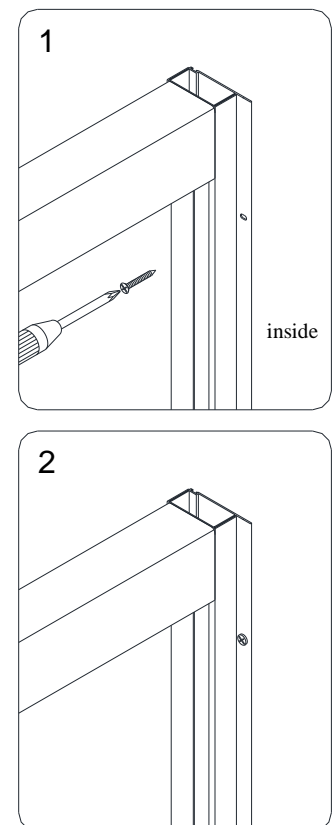


Fig. 9

8. Secure the **Rollers (#11)** to the top of the **Glass door (#05)**. Mind the direction of the rollers. (See Fig 10.1 and Figs 11- 13)
 Attach the **Handle brackets (#12)** to the **Glass doors (A & B)** using the **25mm machine head screws (screw bag #12)**. The handle brackets should face the same direction as the roller wheels. Then secure the **Handles (#06)** to the **Handle brackets** using **Round head screw ST4.2×25 (screw bag #12)** and cover the holes with the decorative bracket covers provided. (Fig 10.4)

See Fig. 10 for details.

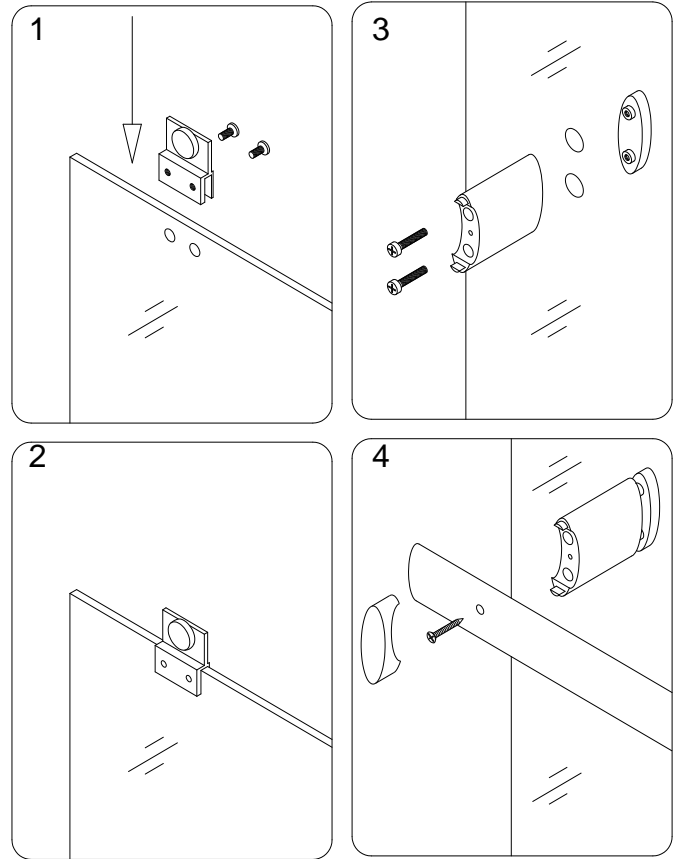


Fig. 10

PLEASE NOTE:

- On the outside of **Glass door (A)** the **Handle** and the **Rollers** should face out.
- On the inside of **Glass door (B)** the **Handle** and the **Rollers** should face inside.

See Fig. 11 and Fig. 12 for details.

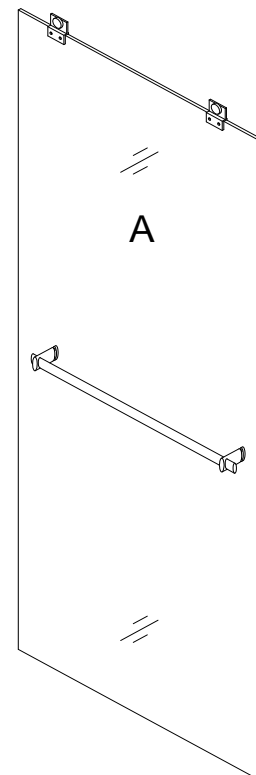


Fig. 11

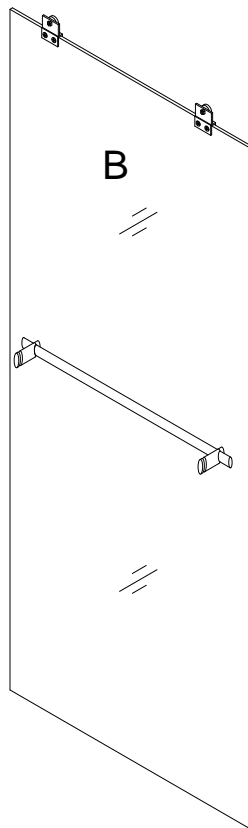


Fig. 12

9. From inside of the shower, install the outside **Glass door (A) (#05)** first, as shown in Fig 13.1 and 13.2. Then install the inside **Glass door (B) (#05)** making sure that the rollers are aligned in the **Upper guide rail (#01)** as shown. See Fig. 13 and Fig. 14 for details.

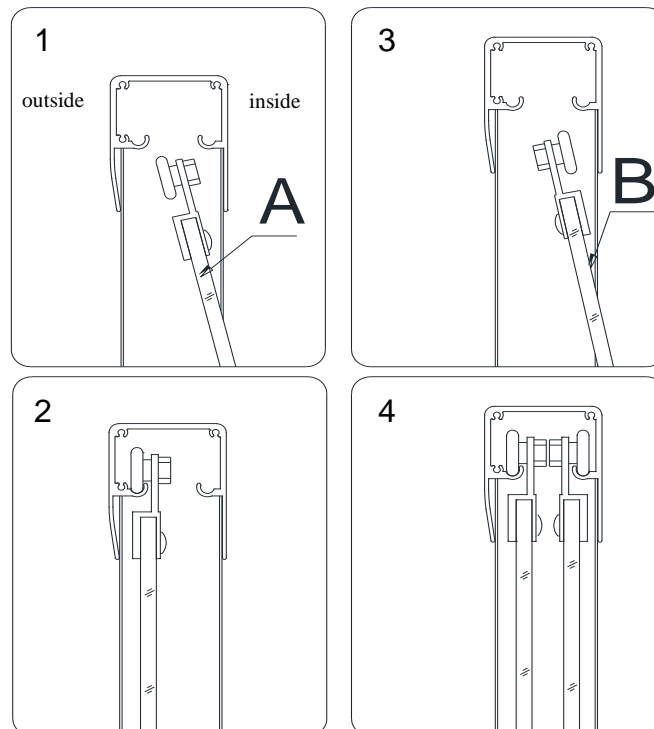


Fig. 13

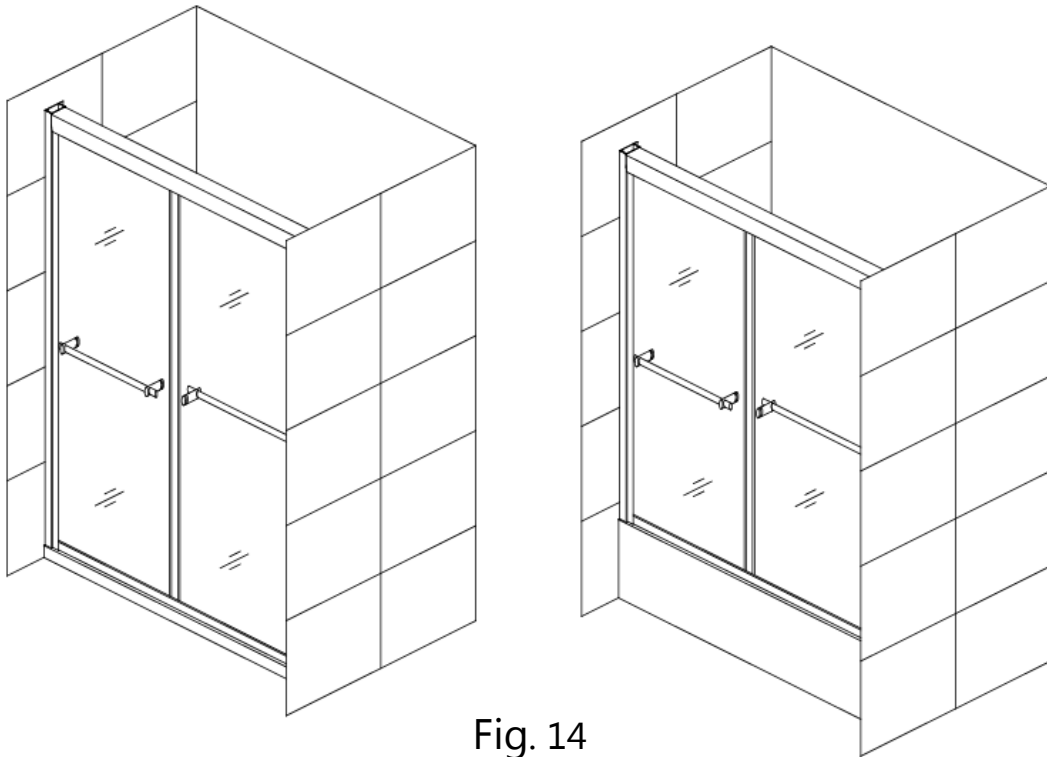


Fig. 14

10. From inside the shower, slide both **Glass Doors (#01)** to the right. Place the **Left guide block (#13)** to the end of the guide rail and mark the drill hole in the **Bottom Guide rail (#04)** through the pre-drilled hole on the block using an **Ø1/8"** drill bit. Drill the hole and secure the **Guide block** with the **Pan Head screw ST4.2×16 (08)** using the washers and the **Decorative Covers (10)**. See fig. 15 for details.

Repeat Step #10 to install the **Middle guide block** and the **Right guide block** to the **Bottom Guide rail (#04)**.

See Fig. 15 for details.

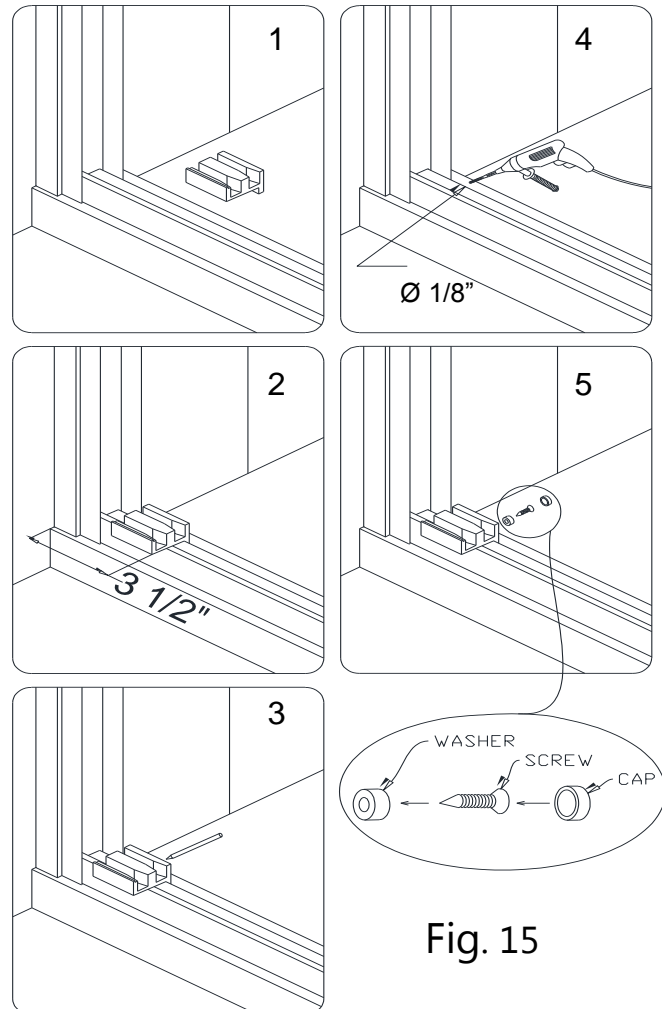


Fig. 15

11. Fasten the **Rubber stopper (#14)** inside the groove of the **Wall Profile (#02)** using the **Pan Head screw ST4.2×16 (#08)**. Repeat for all 6 of the **Rubber stoppers (#14)**.

See Fig. 16 for details.

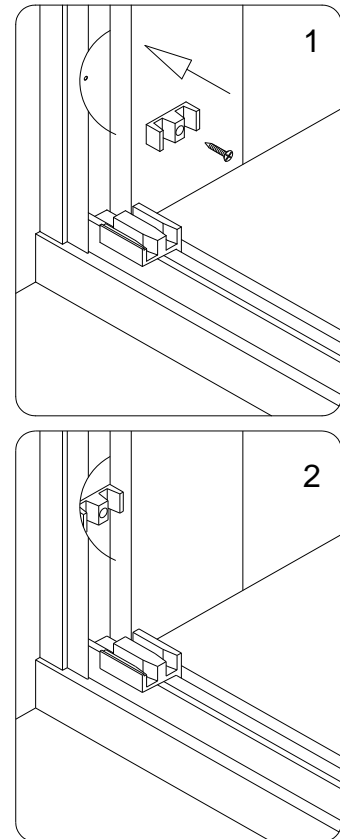


Fig. 16

12. Perform final adjustments of the **Wall Profiles (#02)** on the assembled unit making sure that the bottom rail is tight to the threshold. Drill **Ø1/8"** holes through the **Glass profiles (#03)** into the **Wall profiles (#02)** as shown in Fig 18.1 and attach them together using the **Pan Head ST4.2 x 16 screws (#08)** along with the **decorative cover and washer. (#10)**.

See Fig. 17 for details.

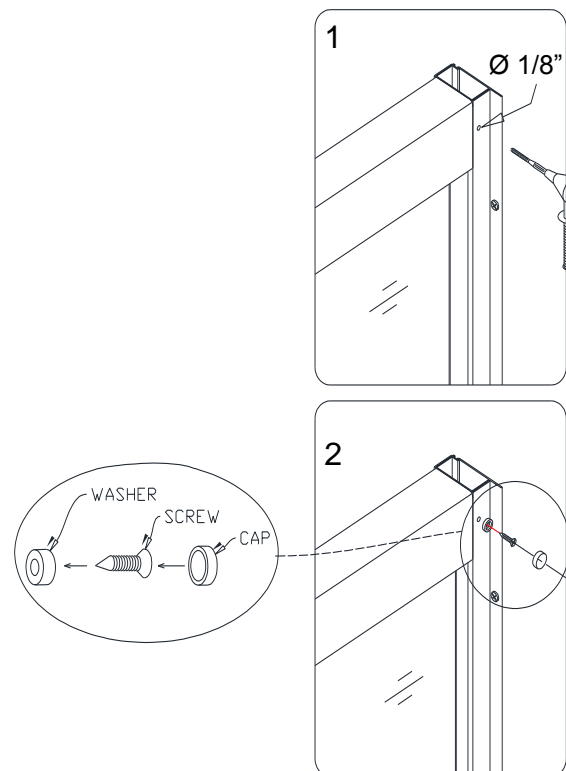


Fig. 17

13. After final adjustments of the **Glass doors (#05)**, install the small black **Pin Blocker** that is packaged with the **Rollers (#11)**.

Insert the **Pin Blockers** all the way into the pre-drilled holes on the body of the **Roller** from the screw side as shown. This pin will prevent the doors from being lifted of the track,

See Fig. 18 for details.

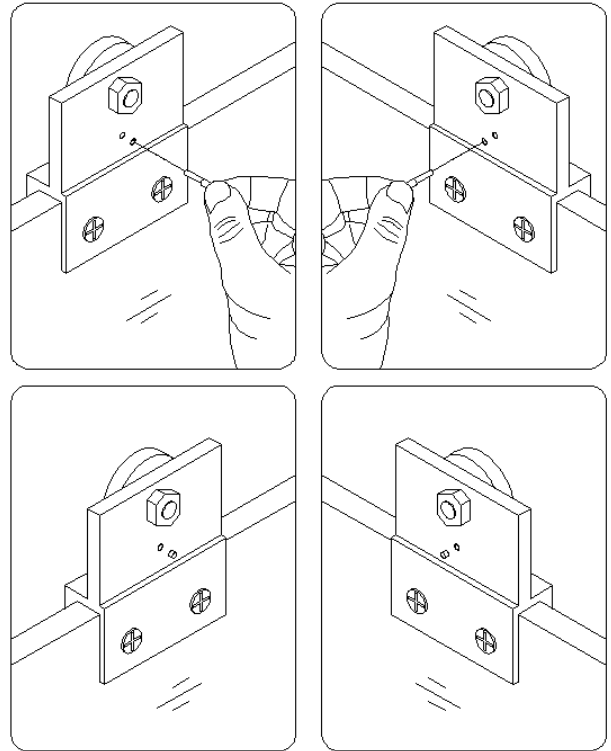


Fig. 18

14. From inside of the shower, apply a good quality mildew-resistant silicone along the profiles and the guide rails; on the seams between the bottom guide rail and the vertical profiles as well as along the shower base or threshold. You may also apply silicone from the outside if you choose. See Fig. 19 for details.

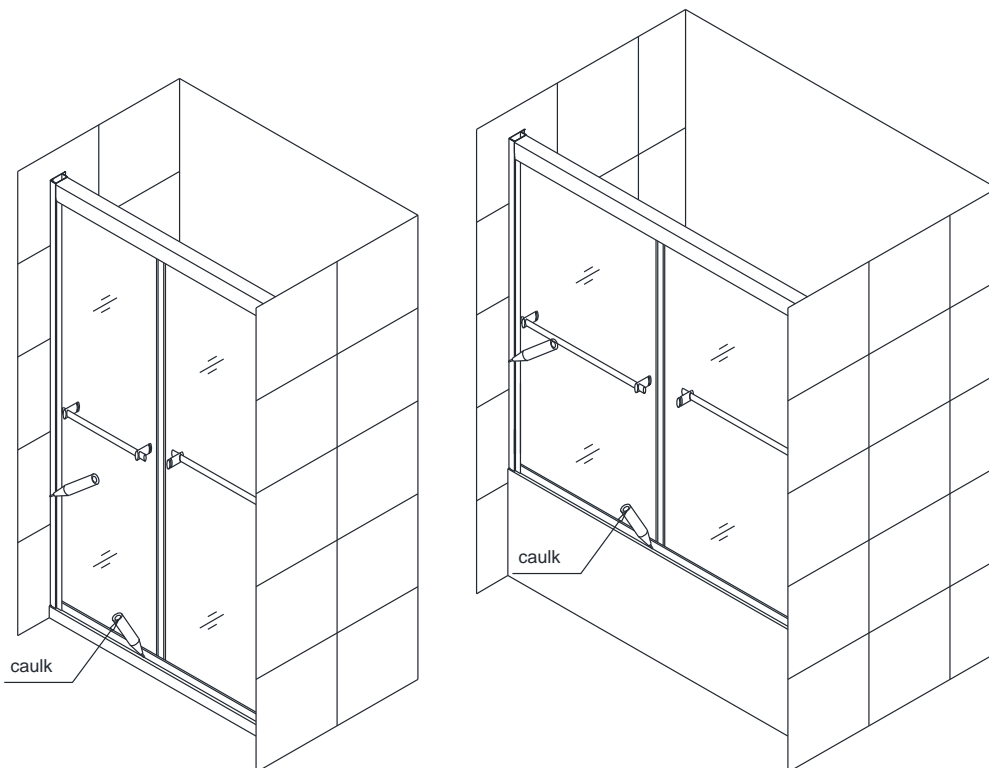


Fig. 19

Product Maintenance

BASES and BACKWALLS: To ensure long lasting life for your acrylic back walls: wipe them off after each use with a soft cloth. To clean the acrylic back walls use non-abrasive sprays or cream based cleaners. Avoid the use of aerosol spray cleaners. Never use abrasive cleansers, metal brushes or scrapers that could scratch or dull the surface.

GLASS: To ensure long lasting life for your glass shower products: wipe them off after each use with a soft cloth. Rinse and wipe off the glass using either a soft cloth or a squeegee to prevent soap buildup and water spots (Hard water can etch the surface of the glass over time if left to dry). To prevent scratching the surface: never use abrasive cleaners or cleaning products that contain scouring agents. Never use bristle brushes or abrasive sponges that may scratch the surface.

HARDWARE: To ensure a long lasting finish: wipe off the metal parts after each use with a soft cloth. Do not use abrasive cleaners or cleaning products containing ammonia, bleach or acid. If accidentally used, rinse the surface as soon as possible to prevent damage to the finish (peeling or corrosion). After cleaning the polished finishes, rinse thoroughly and wipe dry with soft cloth.

Clean stainless steel surfaces at least once a week. When applying stainless steel cleaner or polish to stainless steel hardware, work with (not across) the grain. Never use an abrasive sponge or cloth, steel wool or wired brush as these may permanently scratch the surfaces.

NOTE: To maximize the life of your door, it is important to regularly inspect the glass and all hardware for misalignment, proper attachment, and/or damage. Contact DreamLine with any questions or concerns.



DREAMLINE[®]
THE ULTIMATE SHOWER DOOR

TEL: [866-731-2244](tel:866-731-2244)

FAX: [866-857-3638](tel:866-857-3638)

DREAMLINE.COM

For more information on [DreamLine[®] Shower Doors](http://DreamLine.com) and [Enclosures](#) please visit DreamLine.com