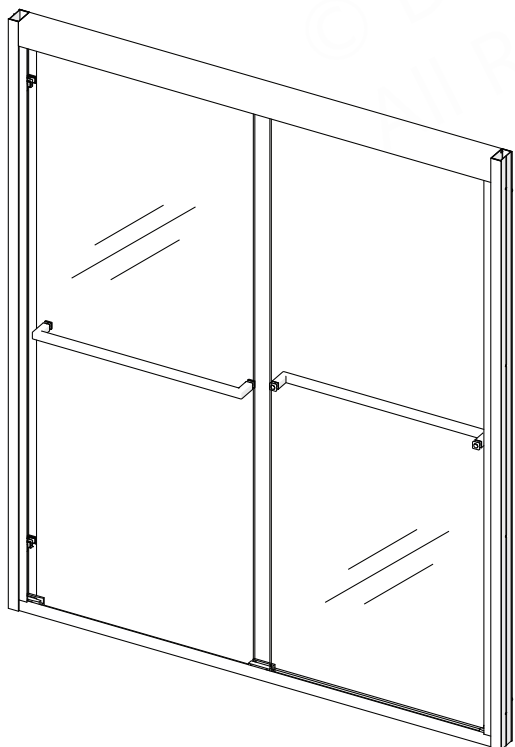




DUET PLUS

SHOWER AND TUB DOOR INSTALLATION INSTRUCTIONS

PLEASE REVIEW THIS ENTIRE MANUAL PRIOR TO INSTALLATION



SHOWER MODEL #s:

SHDR-1848720-##

SHDR-1854720-##

SHDR-1860720-##

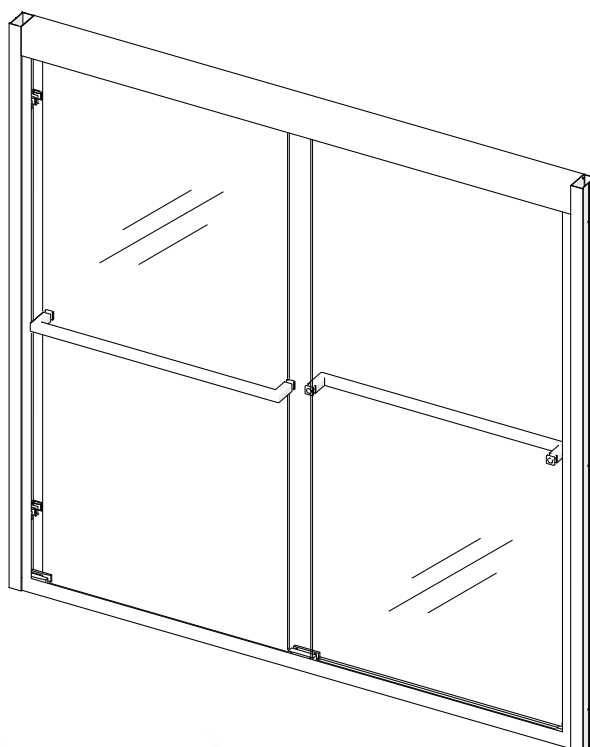
##= finish

01 - Chrome

06 - Oil Rubbed Bronze

04 - Brushed Nickel

09 - Satin Black



TUB MODEL #s:

SHDR-1860580-##

IMPORTANT!

DreamLine® reserves the right to alter, modify or redesign products at any time without prior notice for the purpose of product improvement and customer experience. Please refer to the model's web page on **DreamLine.com** for the latest technical drawings, installation manuals, warranty information or additional product details.

Do Not Return Product to the Store. Contact DreamLine® with any questions



Questions?

Please Call **DreamLine Customer Support: 1-866-731-2244**
Hours of Operation M-F 8AM - 6PM EST

Support@DreamLine.com





This model is treated with DreamLine’s exclusive ClearMax™ Glass technology. This is a specially formulated coating that prevents the build up of soap and water spots.

Install the surface with the ClearMax™ label towards the inside of the shower. Please note that depending on the model, the glass may be coated on either one or both surfaces.

For best results, squeegee the glass after each use and dry with a soft cloth.

Record the following purchase information for your records or in the event you need to contact DreamLine®:

Purchase Order Number _____

Store/Vendor Purchased From _____

Installation Date _____

OD Number (optional) _____
*found on the shipping box or label if available.






Installed By: _____

SKU Number _____

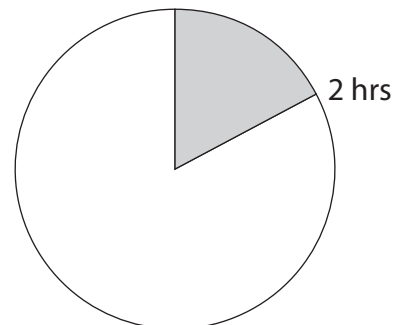
Table of Contents

Section Title	Page #
Important Information	2
Model Specific Preparation	3
Tools	4
Detailed Diagram of Shower/Tub Door Components	5
Parts List	6-7
Installation Steps	8-31
Product Maintenance	32
Troubleshooting	33
Factory Parts Information	34-35

Symbol Legend

	TIP - for ease of installation.		CORRECT - recommended.
	NOTE - take note of special feature; additional information.		INCORRECT - not recommended.
	REQUIRED - requires special attention; signifies a warning.		

Average Installation Time





IMPORTANT

- DreamLine® reserves the right to alter, modify or redesign products any time without prior notice for product improvement and customer experience. Please refer to the model's web page on **DreamLine.com** for the latest technical drawings, installation manuals, warranty information or additional product details.
- This product should be installed by someone familiar with the construction requirements for this type of project and the care necessary for the safe installation and operation of the product.
- The safety of any installation is the responsibility of the installer.
- Professional installation recommended. (*All Models*)
- Professional installation required. (*Enigma Series*)
- To prevent damage or serious injury: Do Not lean against the installed panel/door/glass.
- To prevent damage or serious injury: Do Not attempt to lift or move a heavy lite of glass alone. Use an assistant and/or a professional grade glass suction cup.
- The installation of some models may require drilling down into the threshold. Contact the manufacturer of the base, tub, or threshold material with any questions regarding the drilling of holes into their product.
- All drawings in this installation manual are for illustrative purposes only and are not drawn to scale.

TEMPERED GLASS WARNING

- Your Shower Door Glass Could Shatter Without Warning if Improperly Installed or Mishandled
- Do Not install or operate a shower door if the glass has chipped corners, slivered edges or is otherwise damaged and/or has been dropped or banged into a hard surface such as tile, marble or glass.
- **The main causes of tempered glass breakage are:**
 - Improper handling, storage or installation
 - Misuse/abuse
 - Lack of maintenance
 - Failure to replace damaged glass
 - **Improper handling during storage, unpacking and installation:**
 - Corners and edges are the most susceptible area to damage on a lite of tempered glass and should be protected and handled with care during storage, unpacking, installation and operation. A concentrated point of pressure or impact with a surface harder than itself may cause the tempered glass to shatter. The tempered glass may release immediately, within several hours or even days later.
 - **Incorrect installation of door hardware, rollers, hinges, channels, stopper or glass:**
 - Improper installation may include: loose hardware and/or lack of proper gaskets between the hardware and glass. Additionally, improper alignment of guide rails, wall profiles or other hardware during installation or operation may place stress on the glass edges and cause it to break.
 - This product must be installed by a professional and experienced installer familiar with the safe handling of tempered glass.
 - **Improper use of this product:**
 - Aggressively opening or closing the door may cause trauma to the glass, which can lead to breakage. This may occur immediately or hours or even days later.
 - **The shower door hardware and glass should be inspected periodically:**
 - Instruct the homeowner how to perform a periodic inspection of the shower hardware and glass - some minor adjustments may be necessary based upon the use (or misuse) of the shower door. Ensure that the hardware remains tight and that the door alignment and operation are correct. Any adjustments should be made upon discovery to prevent damage to the product.
 - Additional considerations should be given to the installation of frameless tempered glass products in households with young children or an elderly person due to an increased chance of improper handling. In such cases, alternatives such as shower curtains or grab bars should be considered.

GENERAL PREPARATION

- After opening all boxes and packages, read this introduction carefully. Check that all the items are included in the package by marking off the components on the "**Detailed Diagram of Product Components**" page. Examine all boxes and packages for shipping damage. If the unit has been damaged, has a finishing defect, or is missing parts; please contact our Customer Support department within 3 business days of the delivery date. **Please note that DreamLine® will not replace any damaged products or missing parts free of charge after 3 business days or if the product has been installed.** Please contact DreamLine® if you have any questions.
- **Please note that you should refer to your local building codes with questions on installation compliance standards. Building and plumbing codes may vary by location, and DreamLine® is not responsible for code compliance standards for your project and will not accept any returns.**
- If this unit is going to be installed in a new construction, install all the required plumbing and drainage before installing the shower. **Use a competent and licensed (if required by local code) plumber for all plumbing installation.**
- Make sure that prior to beginning the installation, the surfaces are leveled and solid and will be able to support the total weight of the unit. Also make sure the walls are at right angles. Irregular installation surface level, radius corners or improper angle of side walls will result in serious problems for your installation. Please note that some adjustments and drilling will be necessary during the installation process.
- Protect all primary surfaces of the product during installation. Never set your glass down directly onto a tile floor. Leave corner protectors in place until it is necessary to remove them. Always use a piece of wood or cardboard to protect the bottom edge and corners of the glass prior to and during installation.
- This unit must be installed upon a finished threshold and against finished walls.
- *DreamLine® shower doors are not designed to be installed into a fiberglass surround due to the radius corners and lack of a solid surface to mount the hardware.*

WARNING: TO AVOID THE RISK OF DAMAGE OR INJURY:

- **Follow all recommendations and requirements as shown in the installation instructions.**
- Perform a thorough inspection of the glass and all parts for any damage prior to installation. Any damage to tempered glass can cause breakage. **Do Not install damaged glass!**
- Do Not install or operate a shower or tub door if the glass has chipped corners, slivered edges or is otherwise damaged. Do Not install or operate a shower or tub door that has been dropped or banged into a hard surface such as tile, marble or glass.
- **CAUTION:** Contact with any hard surface can damage tempered glass and cause it to shatter.
- This product uses tempered glass. Glass cannot be cut after it has been tempered. **Do Not attempt to cut tempered glass.**
- DreamLine® Glass Shower doors, Tub doors, Inline panels, and Return panels can shatter due to improper handling or lack of maintenance. Conduct periodic inspections of glass and all parts for possible damage, missing or loose parts.
- Always wear proper safety equipment such as: safety goggles, work gloves and appropriate footwear during the installation process.
- **WARNING. Risk of leakage and/or damage.** Follow all instructions regarding the application of silicone sealant or caulk. Allow 24 hours for the sealant to cure before the initial use of the shower or tub product. Follow the silicone manufacturer's recommendations regarding the use of their product.
- **Thoroughly read these instructions before installing or using this product.**
- **Leave this manual for the end-user of the product.**



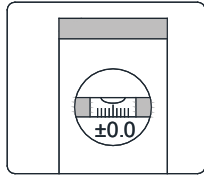
This product should be installed by someone familiar with the construction requirements for this type of project and the care necessary for the safe installation and operation of the product.

Model Specific Preparation



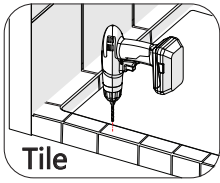
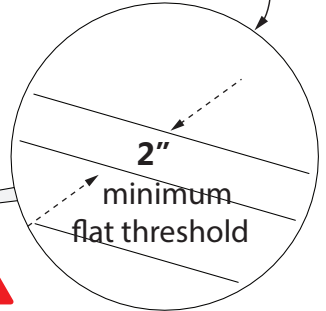
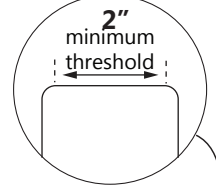
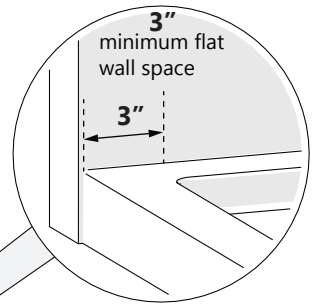
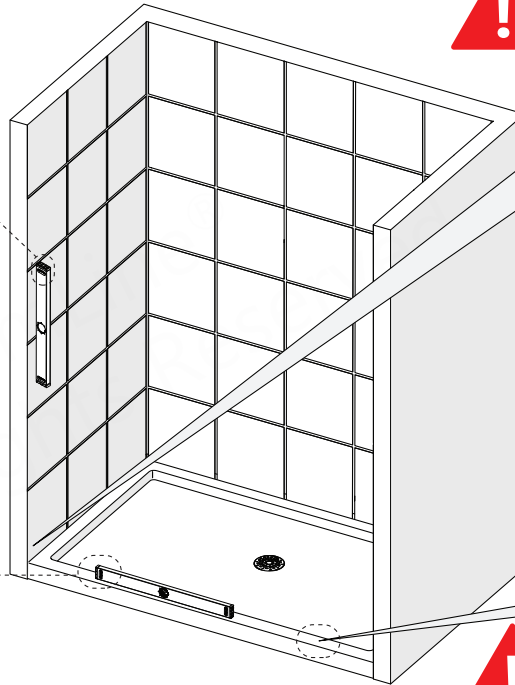
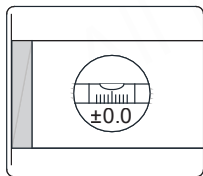
REQUIRED:

1/2" Out-of-Plumb Adjustment; Verify threshold and walls with a level

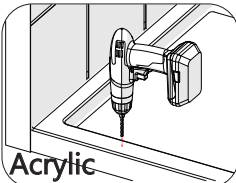


DO NOT exceed maximum out-of-plumb adjustment

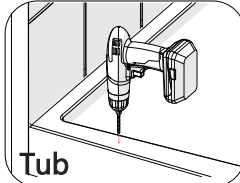
Threshold must be level



Tile



Acrylic



Tub



Contact the manufacturer of the base, tub or threshold material with any questions regarding the drilling of holes into their product.



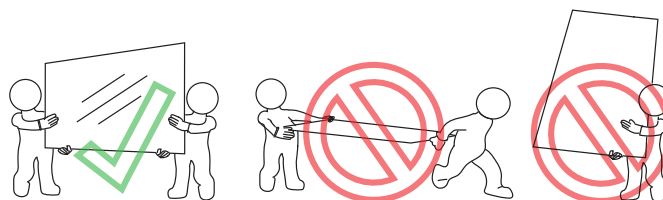
DO NOT attach Towel Bars to the door glass until instructed.
DO NOT attempt to use Towel Bars to lift the door glass during installation. This may result in damage to the glass and/or serious injury. Always use a professional grade glass suction cup and an assistant.



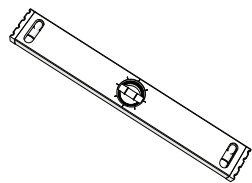
Unpack your unit carefully and inspect it. Lay it out and identify all parts using the **Detailed Diagram** on page 5; and packing list in this manual as a reference. Before discarding the carton, check for small hardware bags that may have fallen to the bottom of the box. If any parts are damaged or missing, please contact DreamLine® for replacement. The shipping boxes may contain extra parts not used in your model configuration. Retain these installation instructions for future reference.



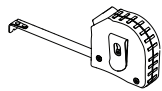
Professional installation with two installers is recommended for this product.



Tools



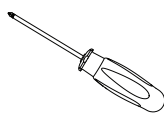
4-Foot Level



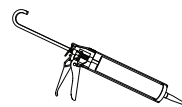
Tape Measure



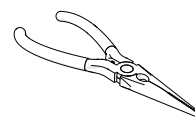
Pencil



Phillips
Screwdriver



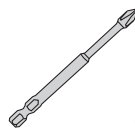
Caulk gun with
clear, mold-resistant
Silicone



Needle Nose
Pliers



Screw Gun
or Impact Driver
w/ #2 Phillips bit



Extended
#2 Driver Bit



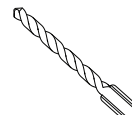
Drill



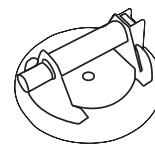
Drill Bit
Ø1/8"
(3mm)



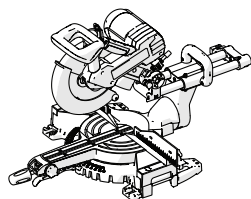
Drill Bit
Ø3/16"
(4mm)



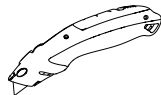
Drill Bit
Ø5/16"
(7mm)



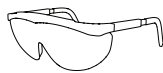
Professional-grade
Glass suction cup



Compound Miter Saw
with Blade for Cutting
Metal



Razor Knife



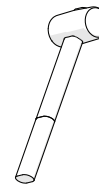
Safety Glasses



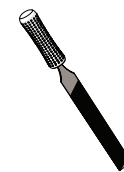
Work Gloves



Crescent
Wrench



Rubber Mallet



Metal File

Verify that the correct model size has been ordered; measure the finished opening **before** proceeding with the installation.



Confirm that the finished walls are plumb and the threshold is level and pitched into the shower area.

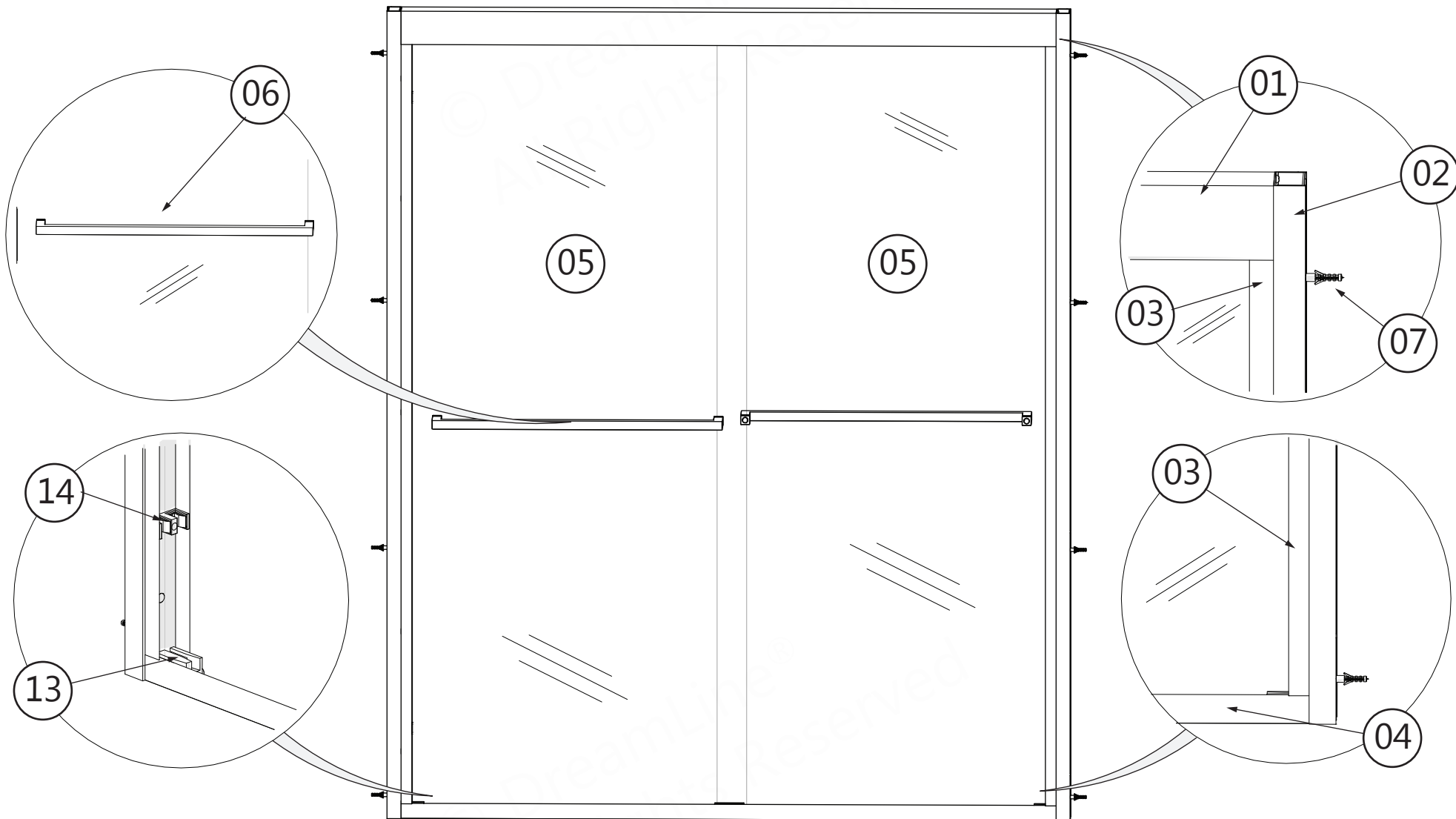
Use a good quality waterproof, mildew-resistant 100% silicone caulk.

Cover the shower/tub drain with tape prior to installation to prevent the loss of screws or small parts.

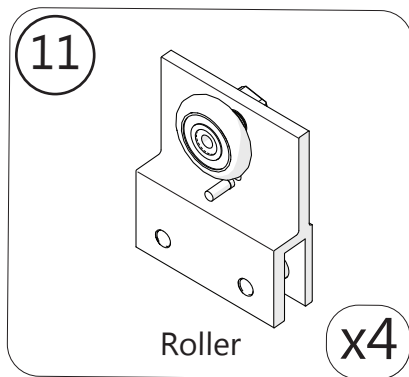
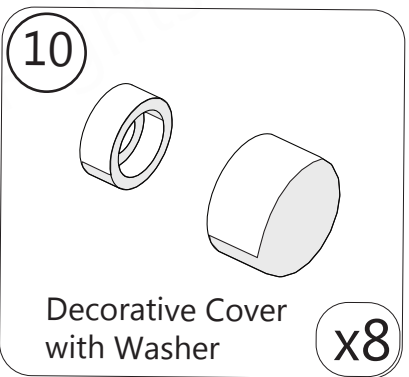
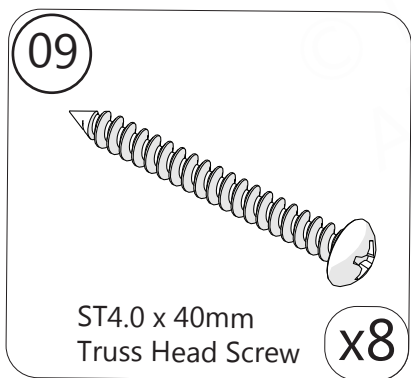
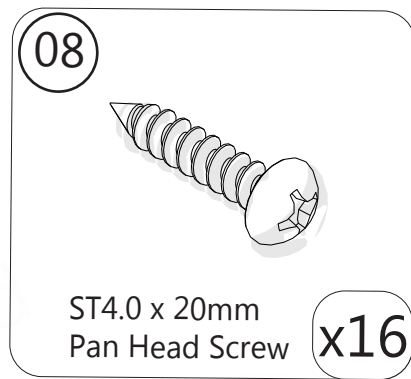
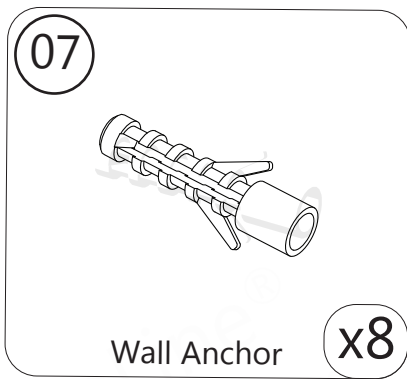
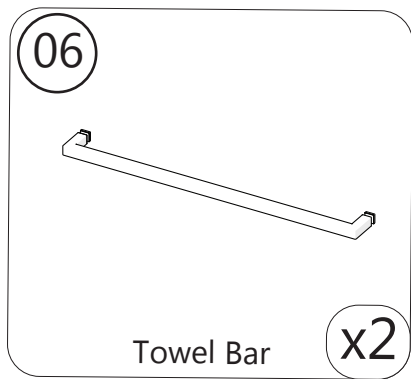
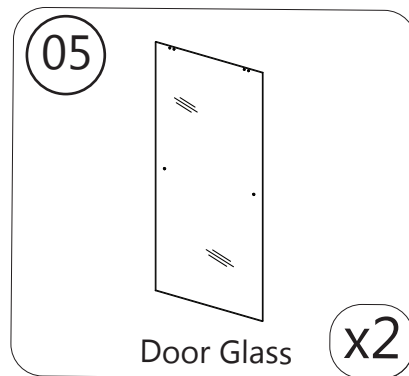
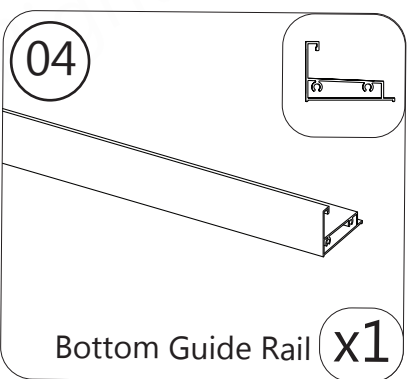
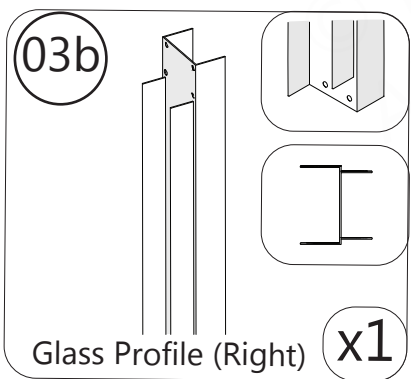
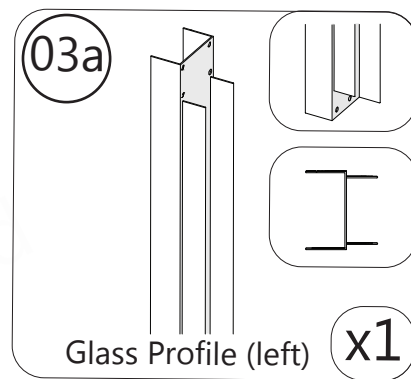
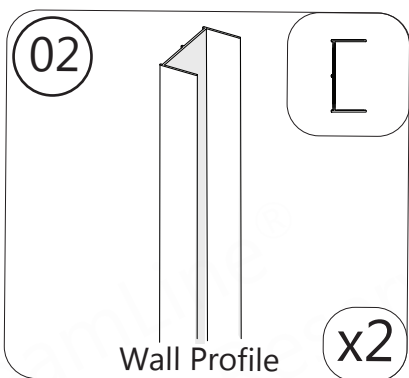
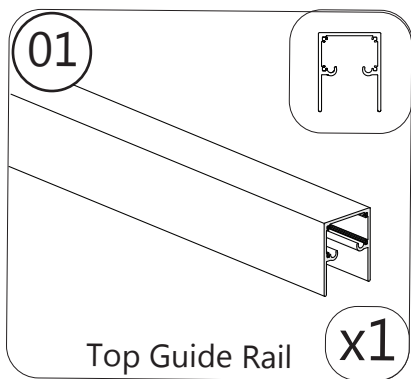


Unpack your unit carefully and inspect it. Lay it out and identify all parts using the **Detailed Diagram** and **Item List** on **pages 5-7**; and the packing list in the box as a reference. Before discarding the carton, check for small hardware bags that may have fallen to the bottom of the box. If any parts are damaged or missing, please contact DreamLine® for replacement. The shipping boxes may contain extra parts not used in your model configuration. Retain these installation instructions for future reference.

Detailed Diagram of Duet Plus Shower Door Components

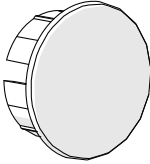


Parts List



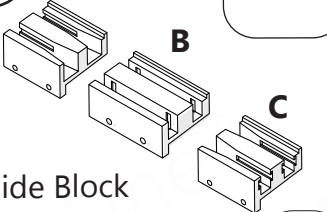
Parts List

12



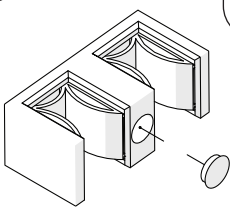
Round Plug **x8**

13



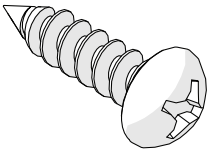
Guide Block
Left (A), Middle (B),
Right (C) **x3**

14



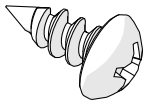
SafeClose™ Bumper **x4**

15



ST4.0 x 16mm
Truss Head Screw **x4**

16



ST4.0 x 10mm
Pan Head Screw **x4**

1

Installation Steps

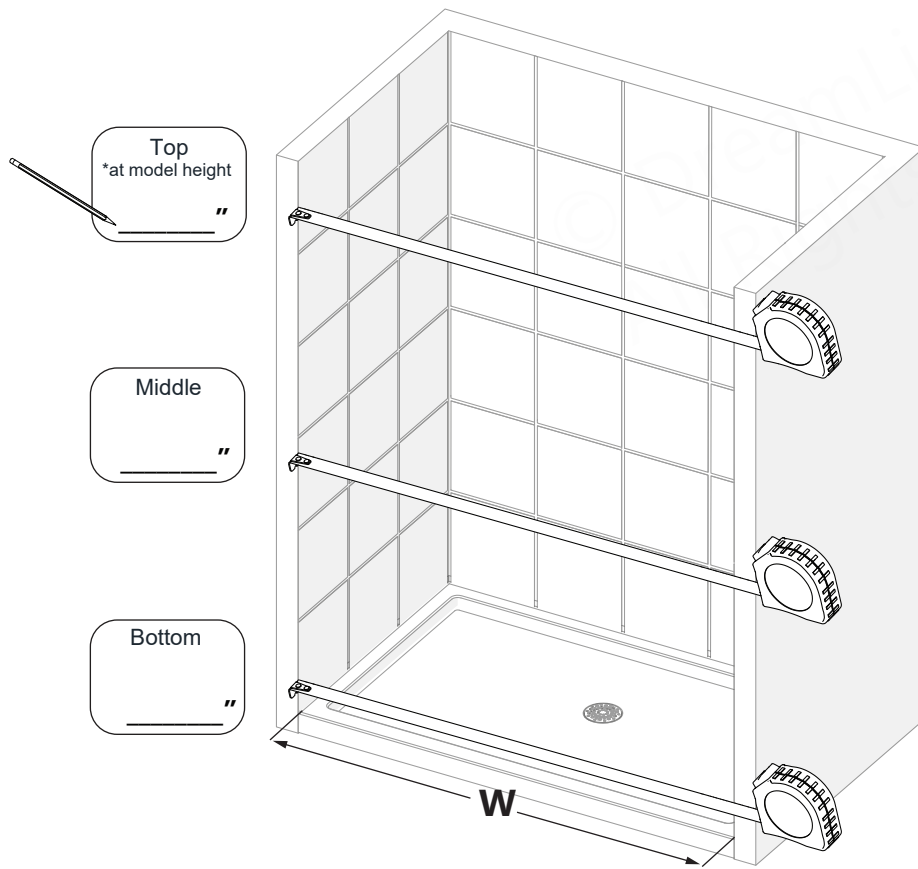


Fig 1

Measure the distance between the two finished walls at the top (**at unit height**), middle and bottom and write down the measurements to the left.

The wall profiles will each adjust **up to 1/2"** to accommodate out-of-plumb conditions. **DO NOT** exceed that amount.

Use the smallest measurement as the finished dimension "**W**", which will be used to determine the cut length for the **Top and Bottom Guide Rails (#01 and #04)**. **Fig 1**

NOTE

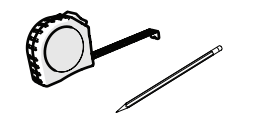
NOTE

The **Top** and **Bottom Guide Rails (#01 and #04)** are shorter than the model size by design. They have been precut for the model width and are designed to fit between the wall profiles, (not wall-to-wall). **See Table A.**

Table A

Model Size	Precut Rail Length
48" (for shower)	45-1/2"
54" (for shower)	51-1/2"
60" (for shower)	57-3/4"
<i>(Actual door width 60-1/4")</i>	
59" (for tub)	56-1/2"

Tools Needed



2

Cutting the Top and Bottom Guide Rails

Use this formula to determine the finished cut length for the Top and Bottom Guide Rails:

$$\text{FINISHED OPENING ("W")} - 2\text{-}1/4" = \text{FINISHED CUT LENGTH "D"}$$



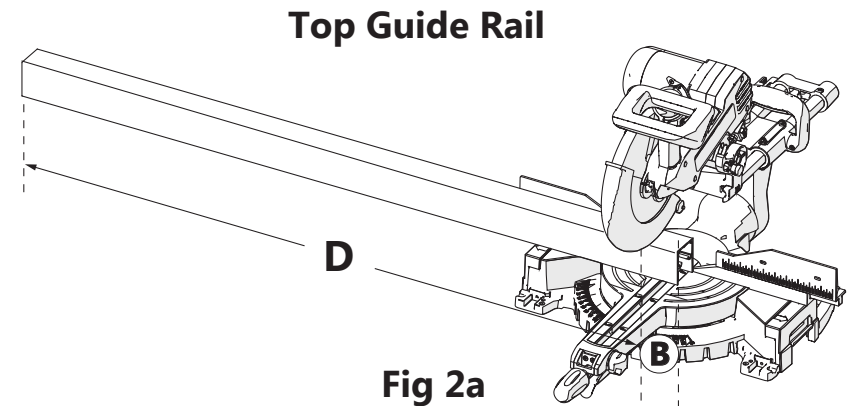
Before cutting the **Top and Bottom Guide Rails** to the same **Finished Cut Length "D"**, please note that the **Top Guide Rail (#01)** will be cut from either end, and the **Bottom Guide Rail (#04)** must be cut from both ends, to keep the holes for the **Center Guide Block** centered.

Cut the **Upper Guide Rail (#01)** and **Bottom Guide Rail (#04)** to the **Finished Cut Length "D"**

Top Guide Rail Cutting Instructions:

Determine Actual Rail Length for the model size (See **Table A** on **Page 8**) and double check with a measuring tape. Call this measurement **"A" (Actual Rail Length)**

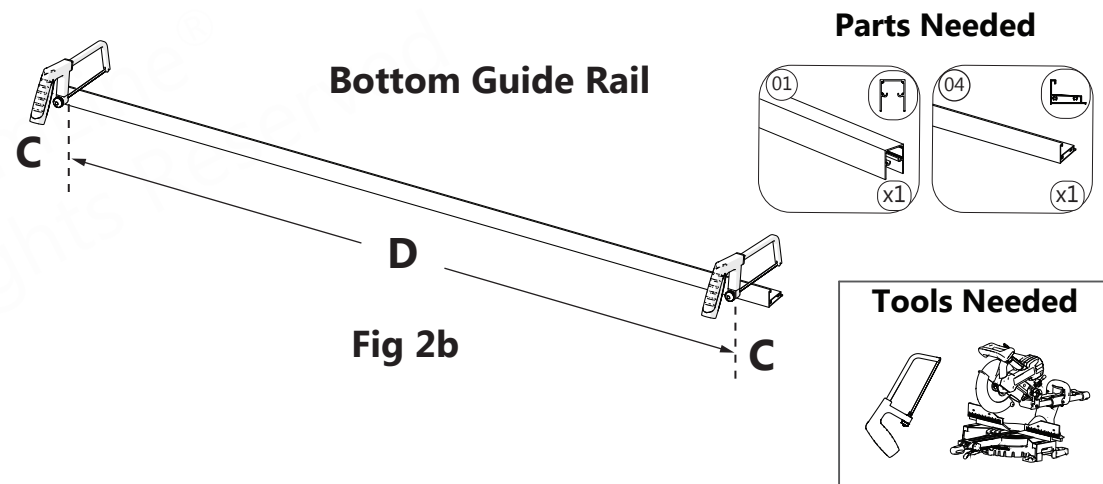
"A" (Actual Rail Length) minus "D" (Finished Cut Length) = "B" (Total Cutoff Length). Cut length **"B"** from either end of the **Top Guide Rail (#01)** Fig 2a

**Bottom Guide Rail Cutting Instructions:**

Determine Actual Rail Length (See **Table A** on **Page 8**) and double check with a measuring tape. Call this measurement **"A" (Actual Rail Length)**

"A" (Actual Rail Length) minus "D" (Finished Cut Length) = Total Cutoff Length "B"

"B" (Total Cutoff Length) ÷ 2 = "C" (Amount to be cut off both ends of the **Bottom Guide Rail**) Cut the **Bottom Guide Rail (#04)** equally from both ends.



3

Assembling The Shower Door Frame (1 of 2)

NOTE

NOTE

Align the **Top and Bottom Guide Rails (#01 and #04)** with the **Glass Profiles (#03)**, making sure the top of each **Glass Profile** inserts **into** the **Top Guide Rail** and that the notch in the bottom of the **Glass Profiles** faces the outside of the shower. **Fig 3**

Be sure the Glass Profiles are **inside** of the Top Guide Rail; loosely secure and be sure all screw holes are lined up.

NOTE

Be sure the notch in the bottom of both **Glass Profiles (#03a and #03b)** face the outside of the shower.

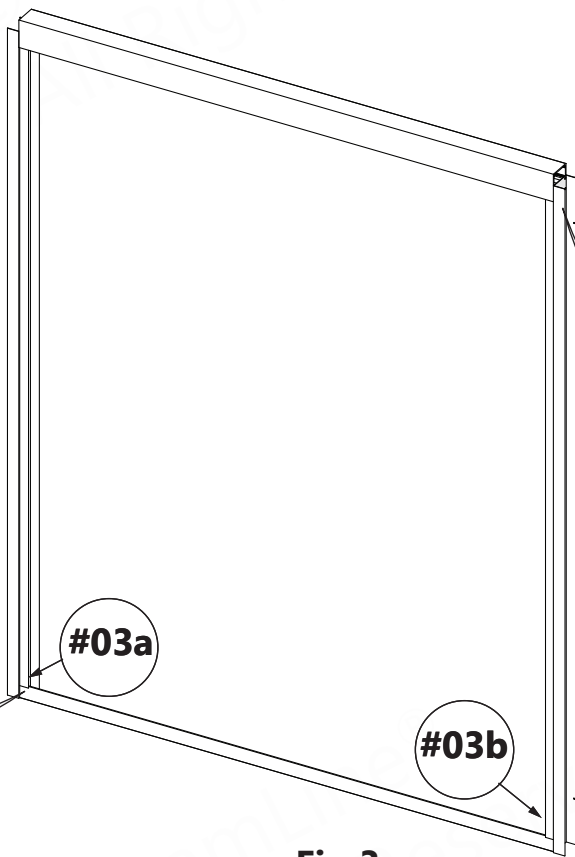
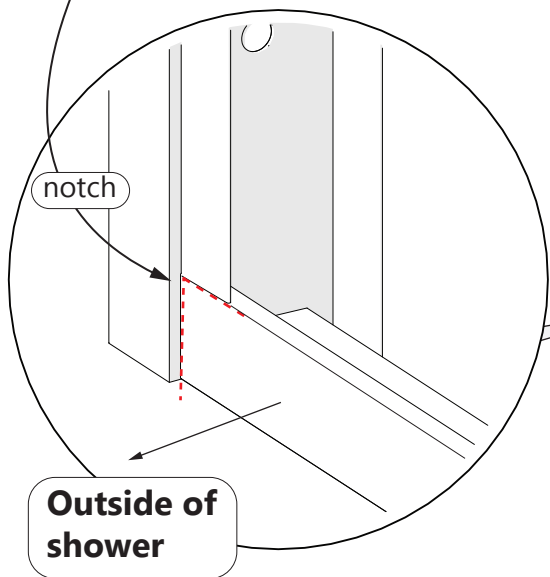
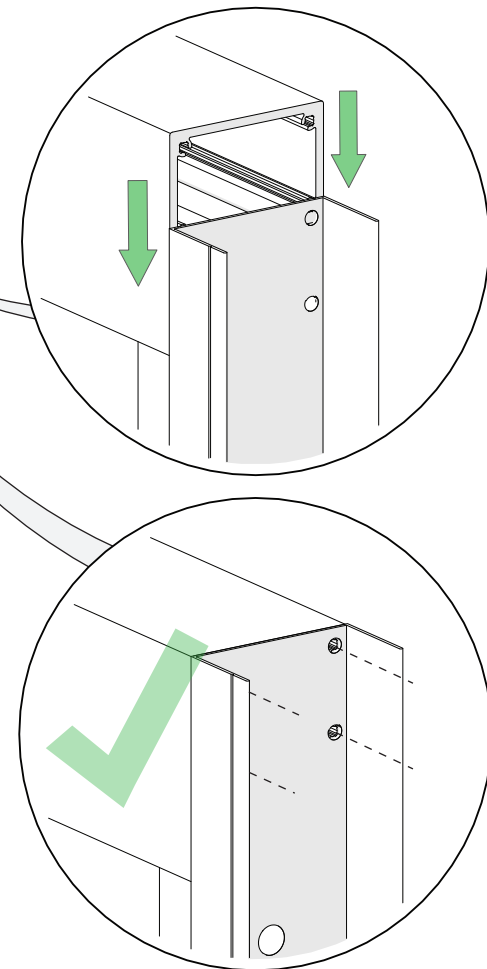
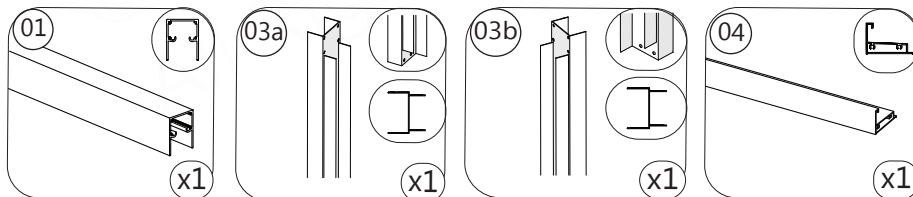


Fig 3



Parts Needed



4

Assembling The Shower Door Frame (2 of 2)



Secure the **Top** and **Bottom Guide Rails (#01 and #04)** to the **Glass Profiles (#03a and #03b)** with the **ST4.0x20mm (#08) Pan Head Screws**. Fig 4

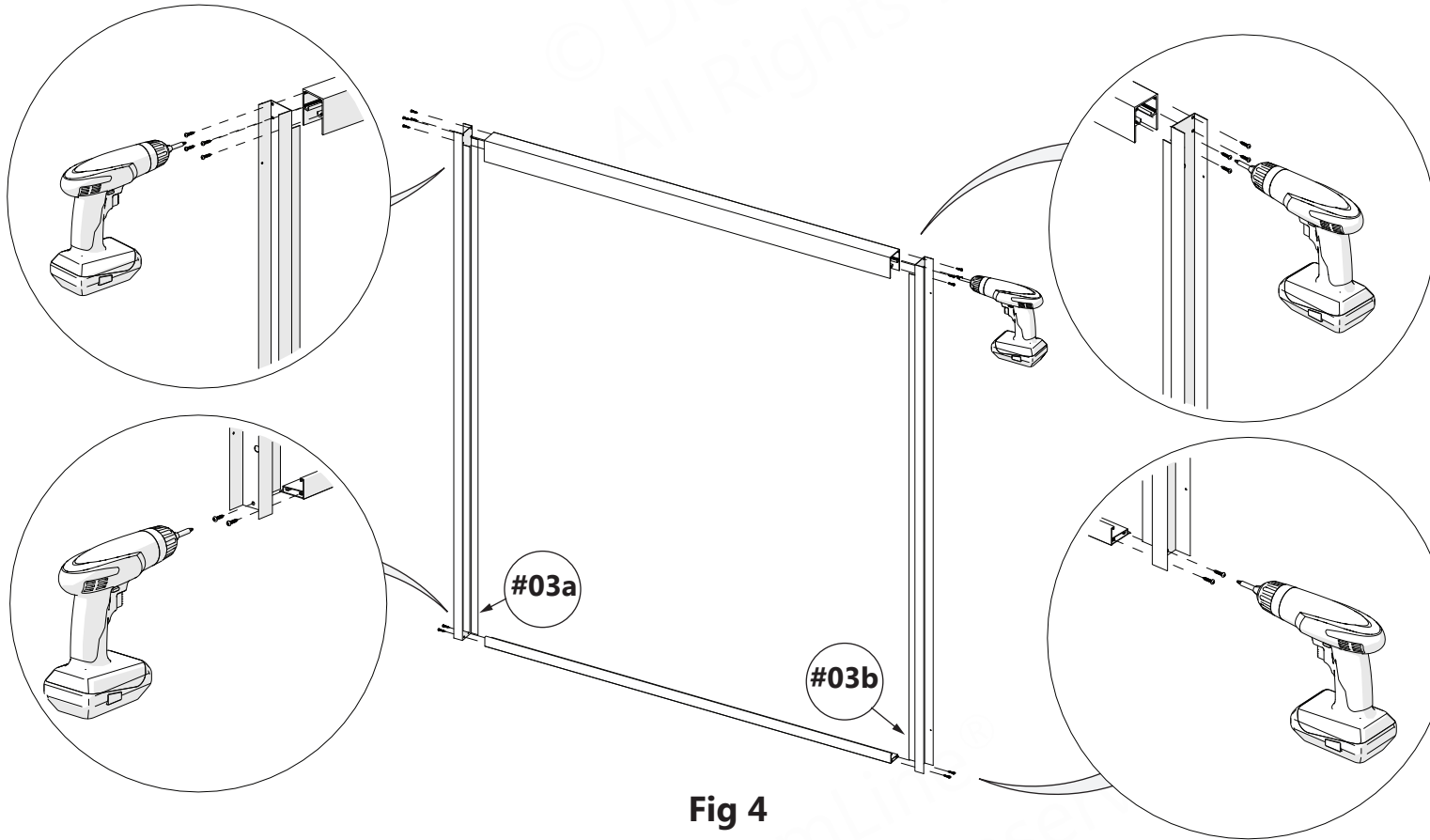
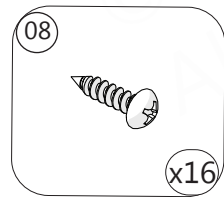
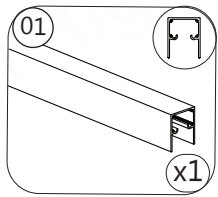
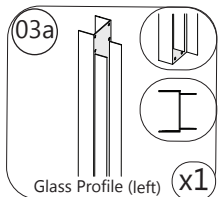
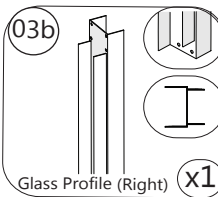
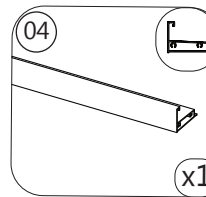


Fig 4



For ease of assembly, apply liquid soap, wax or lubricant to the screw threads prior to installing. Use low torque and steady pressure to prevent stripping the screws.

Parts Needed

 <p>(08) x16</p>	 <p>(01) x1</p>	 <p>(03a) Glass Profile (left) x1</p>	 <p>(03b) Glass Profile (Right) x1</p>	 <p>(04) x1</p>
---	---	--	---	--

Tools Needed



5



Install the **Wall Profiles (#02)** on both sides of the installed frame, inserting them **inside** the **Glass Profiles (#03)**. Check that the drilling holes line up on all profiles. **Fig 5**

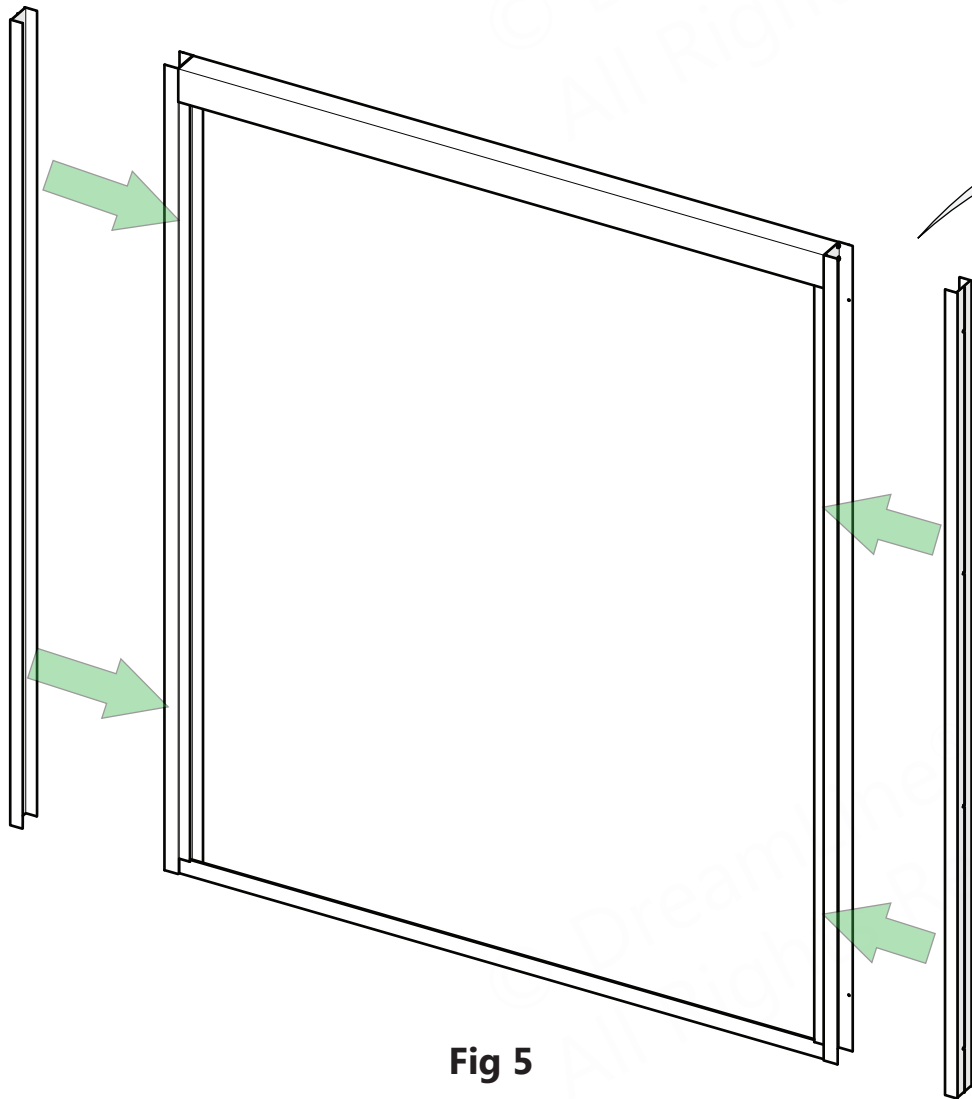
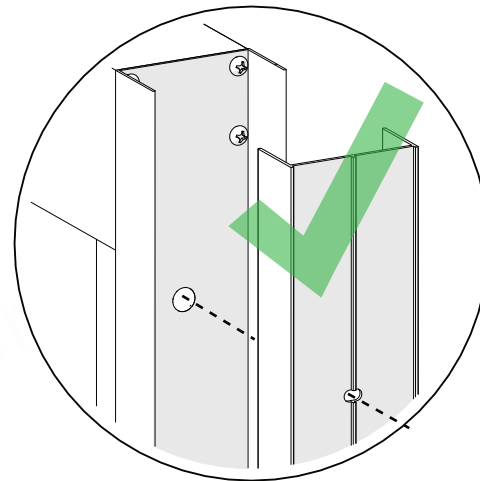
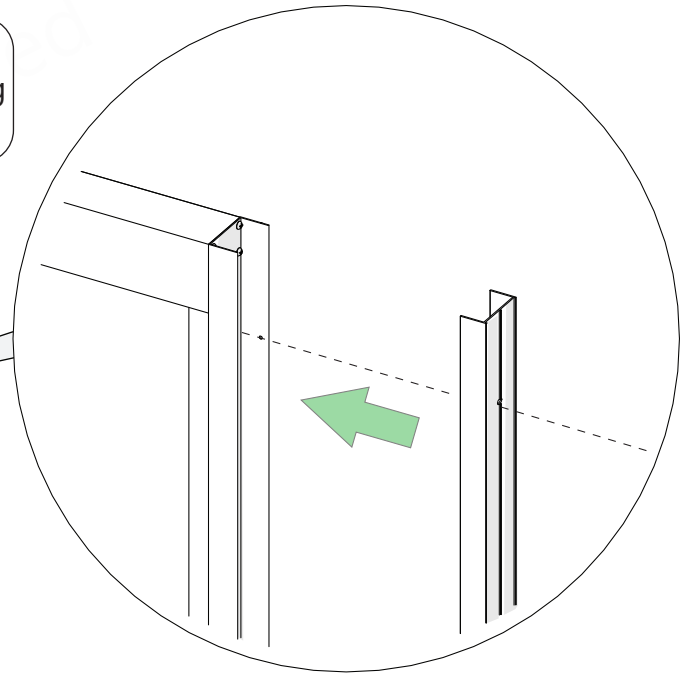
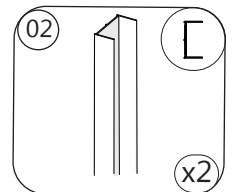


Fig 5



Holes in both profiles must line up

Parts Needed



6

NOTE

Place the assembled frame in the desired position in the finished opening. **Fig 6**

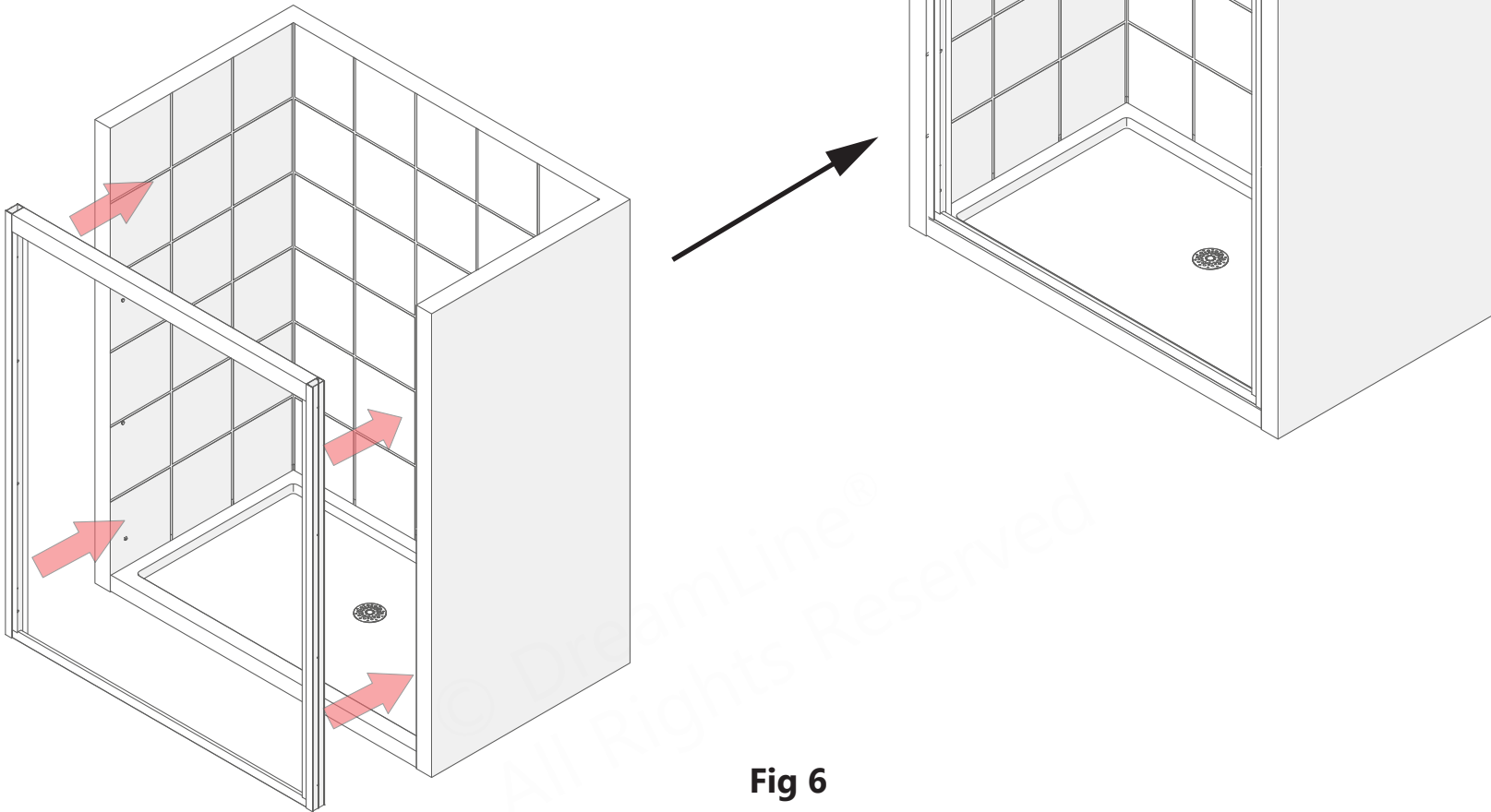


Fig 6

7

NOTE

Set the shower door frame in its final position in the opening. Use a level and a tape measure to plumb the **Wall Profiles (#02)** and to set the **Bottom Guide Rail (#04)** even with the edge of the threshold. Mark the edge of both **Wall Profiles** and the **Bottom Guide Rail**. Remove the frame from the shower opening and set it aside. **Fig 7**

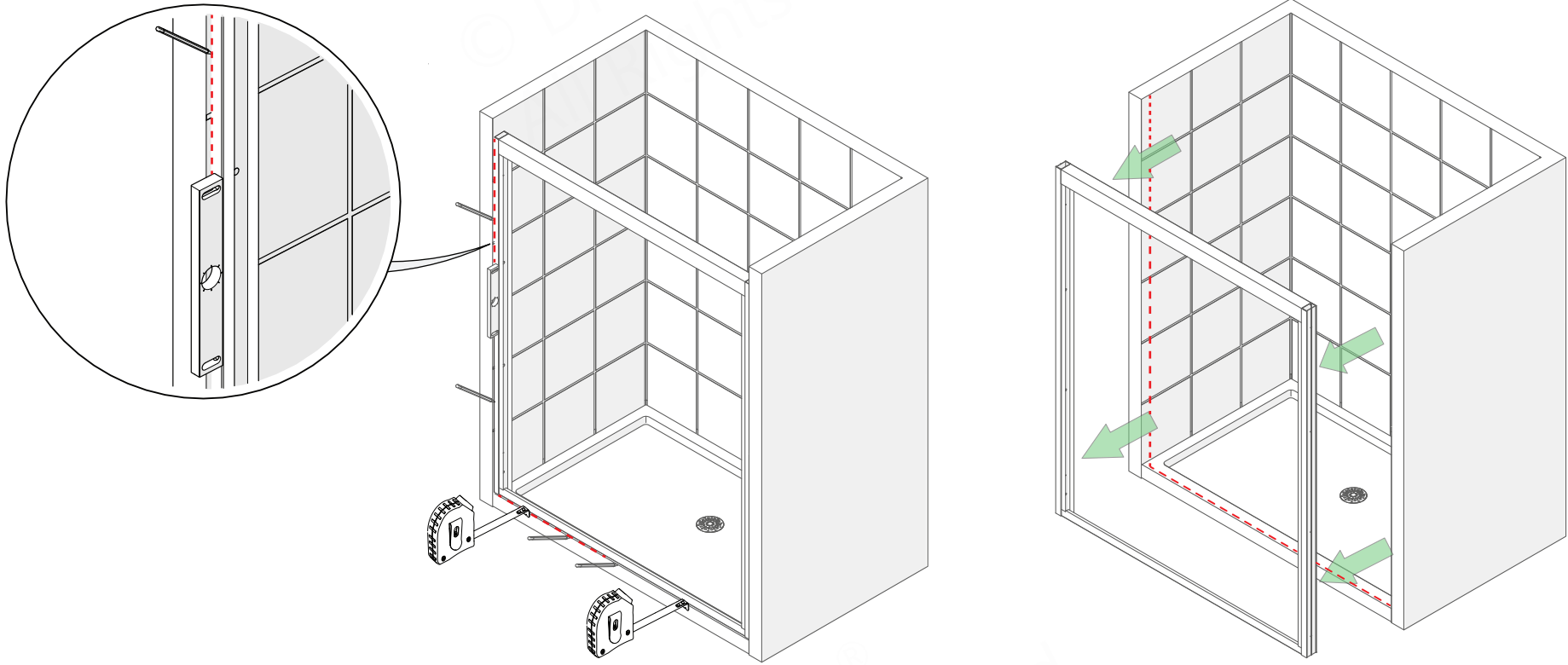


Fig 7

Tools Needed

The tools needed for this step are a tape measure, a level, and a pencil.

8

NOTE

Remove the **Wall Profiles (#02)** from the frame and place them back exactly on the marks made on the walls in the shower opening. Mark the four holes for drilling on each **Wall Profile**. **Fig 8**

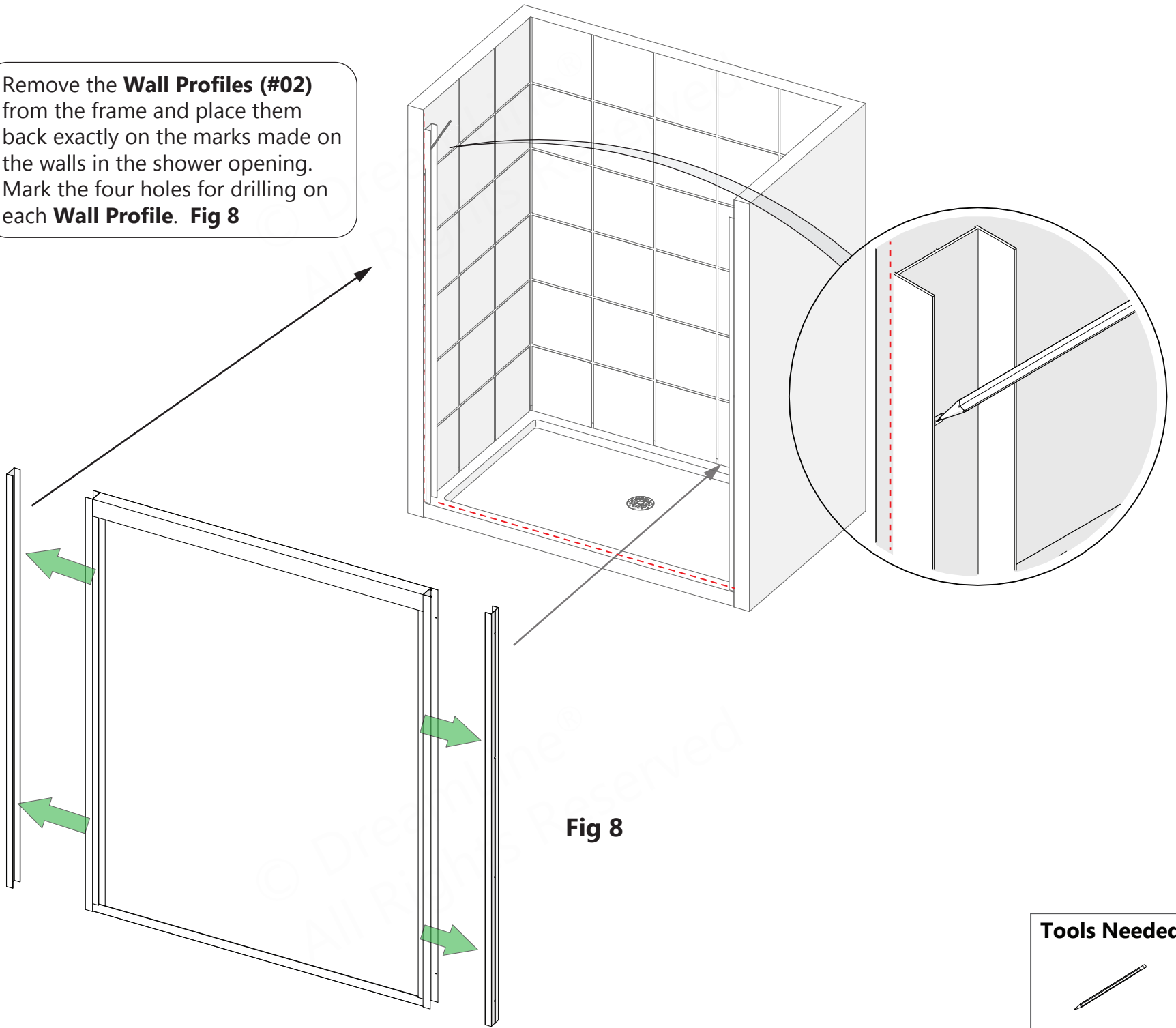


Fig 8

Tools Needed



9

NOTE

Place the **Wall Profiles (#02)** back on the frame. Drill 8 holes at the marks just made (both walls) for the profiles. See the drilling instructions below.

NOTE

- **If a stud is present behind the wall:** drill a $\text{Ø}3/16''$ (4mm) hole to the stud, drill an $\text{Ø}1/8''$ (3mm) pilot hole into the stud.
- **If no stud is present behind the wall:** drill a $\text{Ø}5/16''$ (7mm) hole and insert the **Wall Anchors (#07)**.
- For installation into **Acrylic Walls**, drill a $\text{Ø}1/8''$ (3mm) hole.

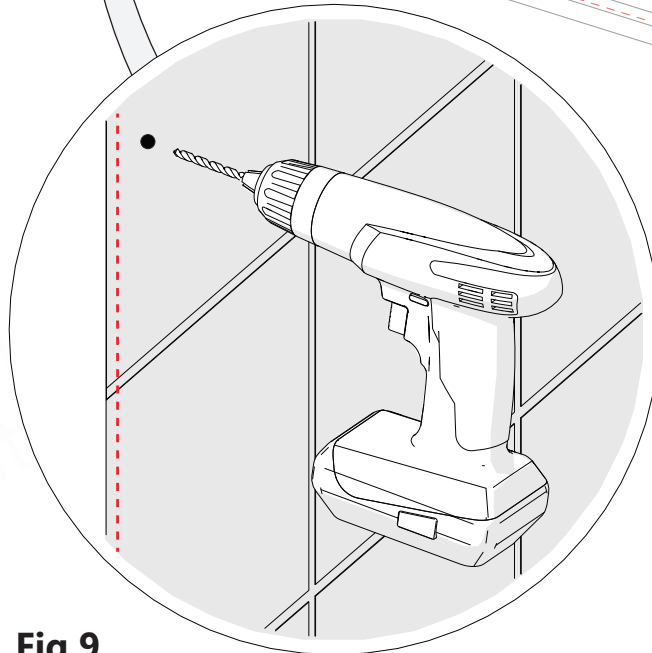
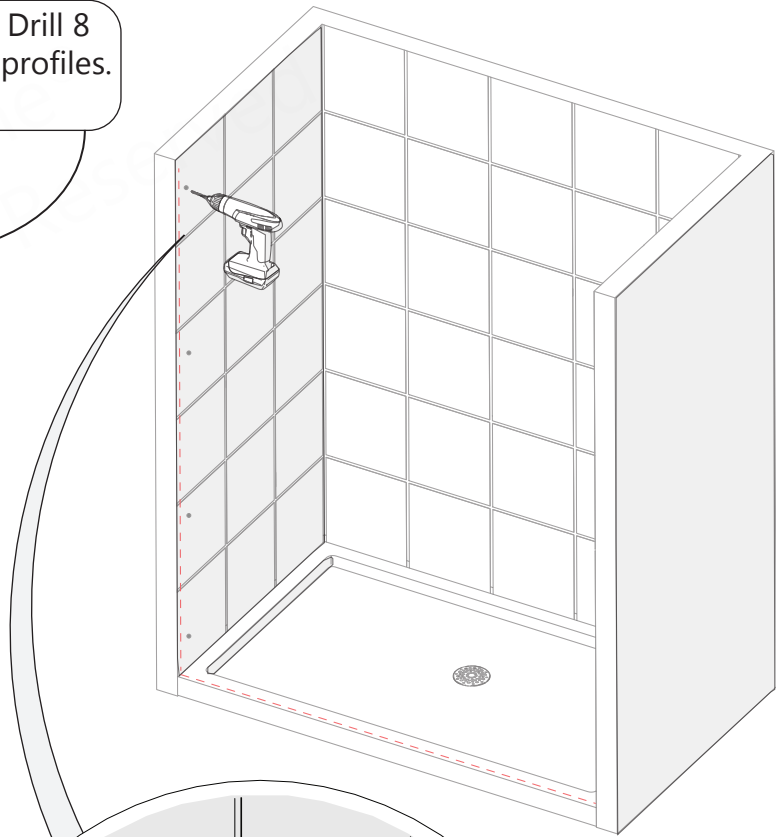
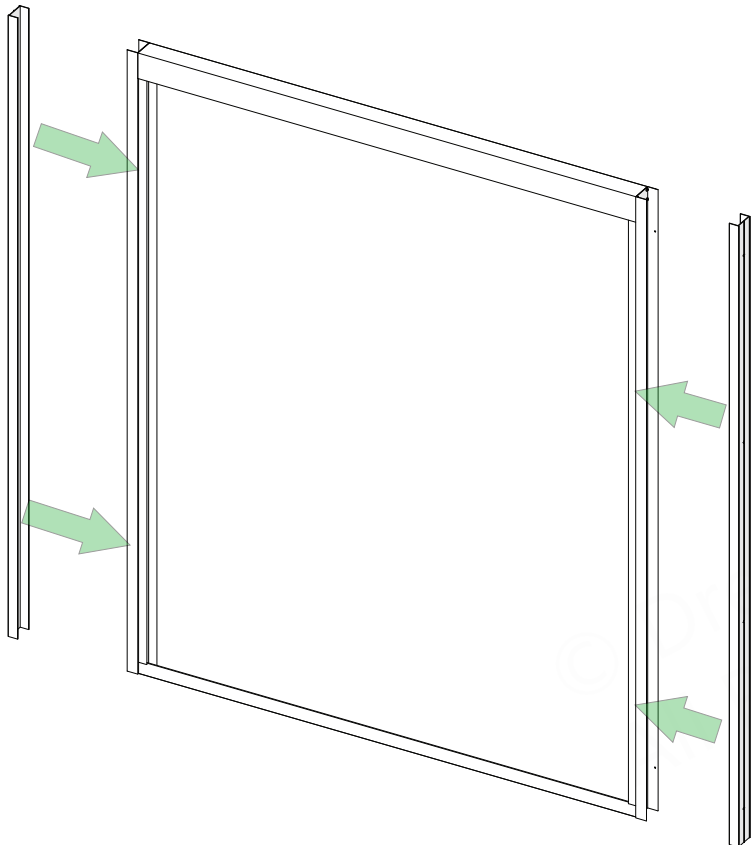
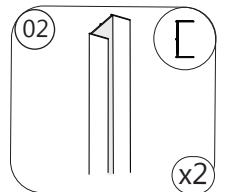


Fig 9

Parts Needed



Tools Needed



10

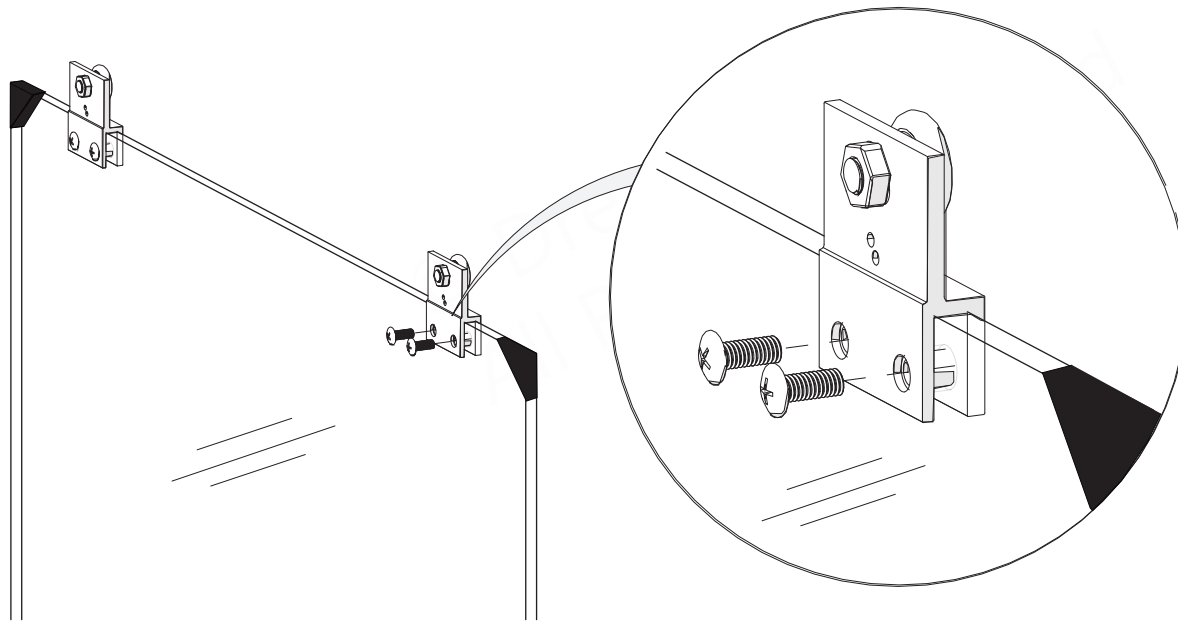



Fig 10a

 Leave corner protectors on the glass until it is necessary to remove them!

 Be sure the ClearMax™ sticker on each door will face the inside of the shower when installing the **Rollers (#11)**



NOTE

Install the **Rollers (#11)** on both lites of **Door Glass (#05)**, noting that the Rollers face opposite directions on the inside and outside doors. Center the **Rollers** in the slots in the brackets. **Figs 10a & 10b**

NOTE

Center the **Roller** in the slot if out of position. Adjustments can be made later to better align the doors with the **Glass Profiles** if needed. Use a helper to shim the glass then loosen the bolt on the **Roller** with a crescent wrench. Move the **Door Glass** up or down using a Glass Suction Cup and re-tighten the bolt.

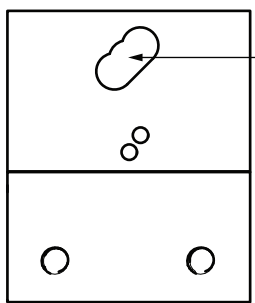

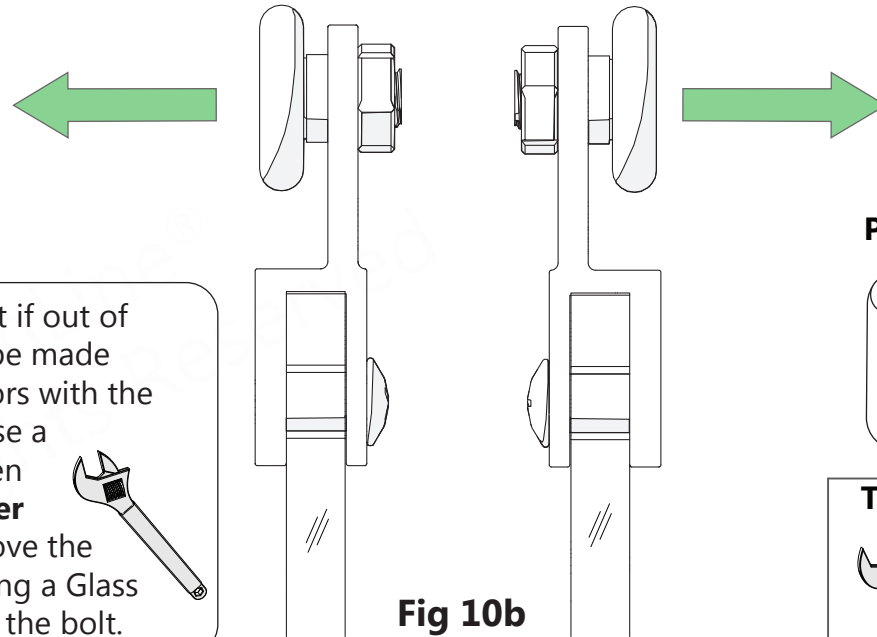
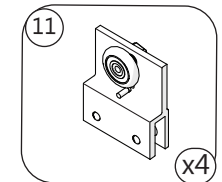
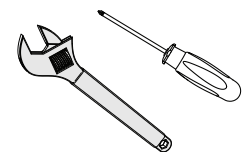




Fig 10b

Parts Needed

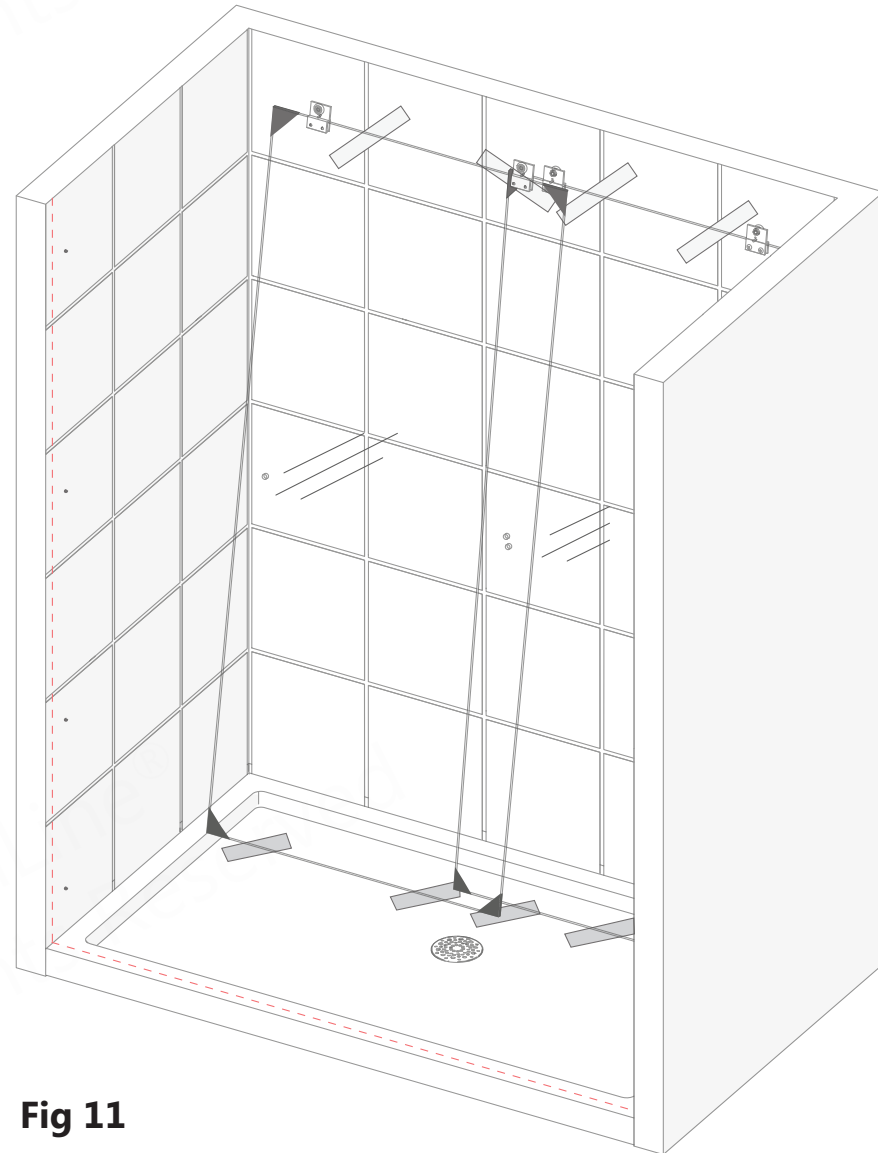


Tools Needed



11

Place both lites of **Door Glass (#05)** in the rear of the shower opening, with the **Outside Door Glass** behind the **Inside Door Glass**. Make sure the **Rollers** for each door are facing in the correct direction for installation. Cushion the edges of the glass and between the two doors with shims or other soft material. Leave the corner protectors on the glass until necessary to remove them. **Fig 11**

**Fig 11**

12



Use a good-quality, mildew-resistant silicone to seal the shower frame in the opening. Apply silicone to the underside of the **Bottom Guide Rail (#04)** and to the backs of both **Wall Profiles (#02)**. Apply a small amount of silicone in the screw holes on the walls as well. **Fig 12**

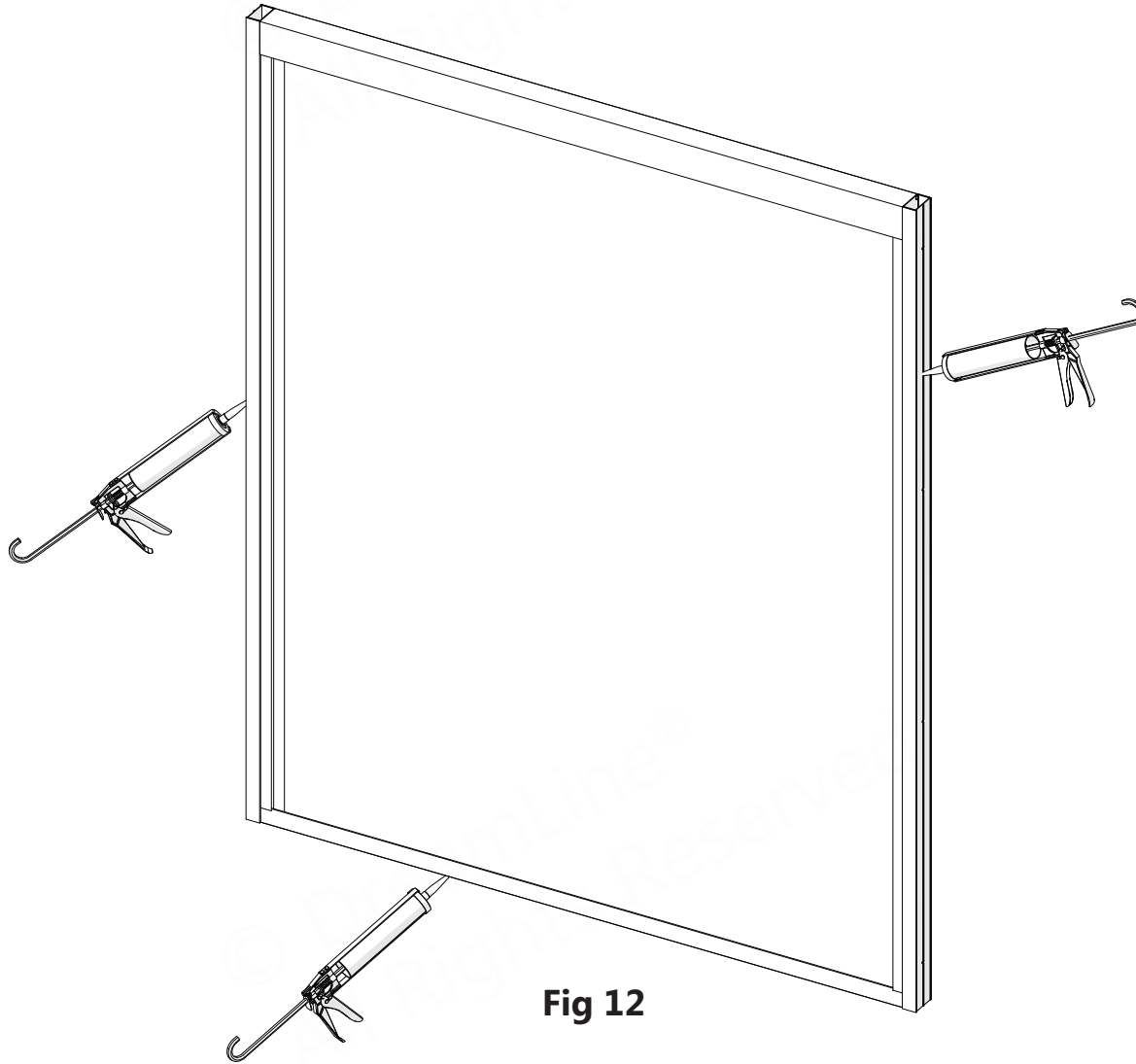
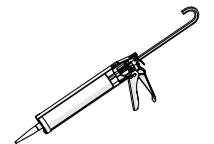


Fig 12

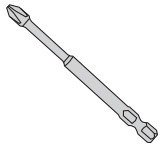
Tools Needed

13

NOTE

Place the frame back into position on the marks made earlier and check for plumb with a level. Secure the **Wall Profiles** to the walls using the **Truss Head ST4.0x40 screws (#09)**. **Fig 13a**

TIP



An Extended Driver Bit is recommended for the installation of these screws.

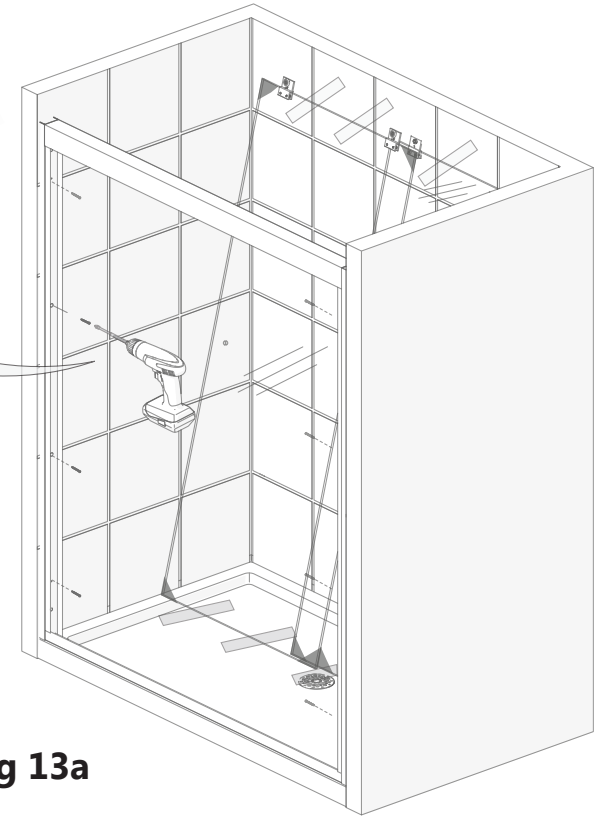
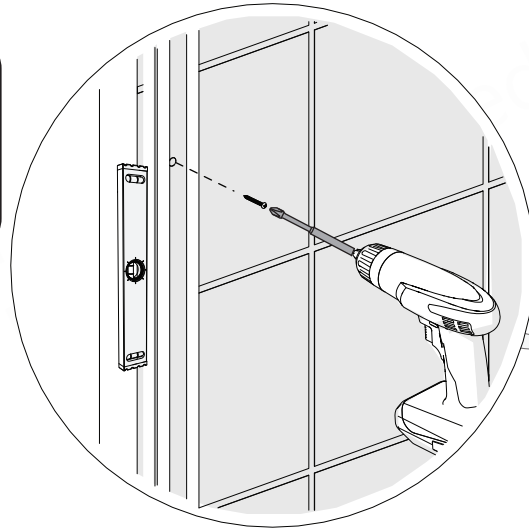


Fig 13a

Overhead View

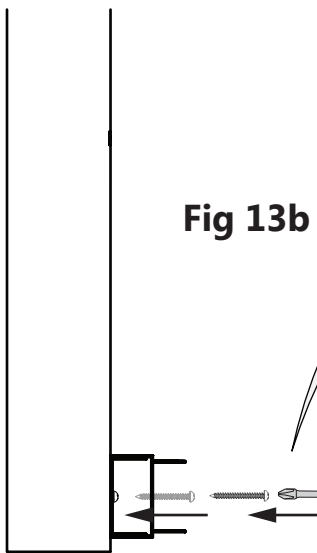
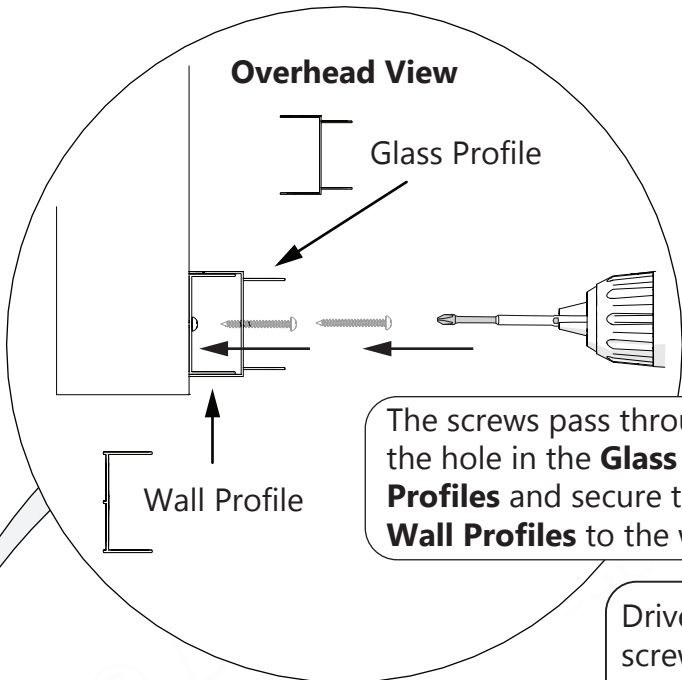


Fig 13b

Overhead View

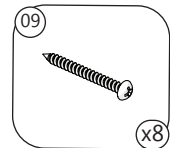


The screws pass through the hole in the **Glass Profiles** and secure the **Wall Profiles** to the walls.

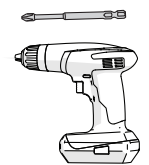
NOTE

Drive the **Truss Head ST4.0x40 (#09)** screws through the holes in the **Glass Profiles (#03a and #03b)** to secure the **Wall Profiles (#02)**. The frame (**Glass Profiles & Top and Bottom Rails**) should remain loose inside the **Wall Profiles**. **Fig 13b**

Parts Needed



Tools Needed



14

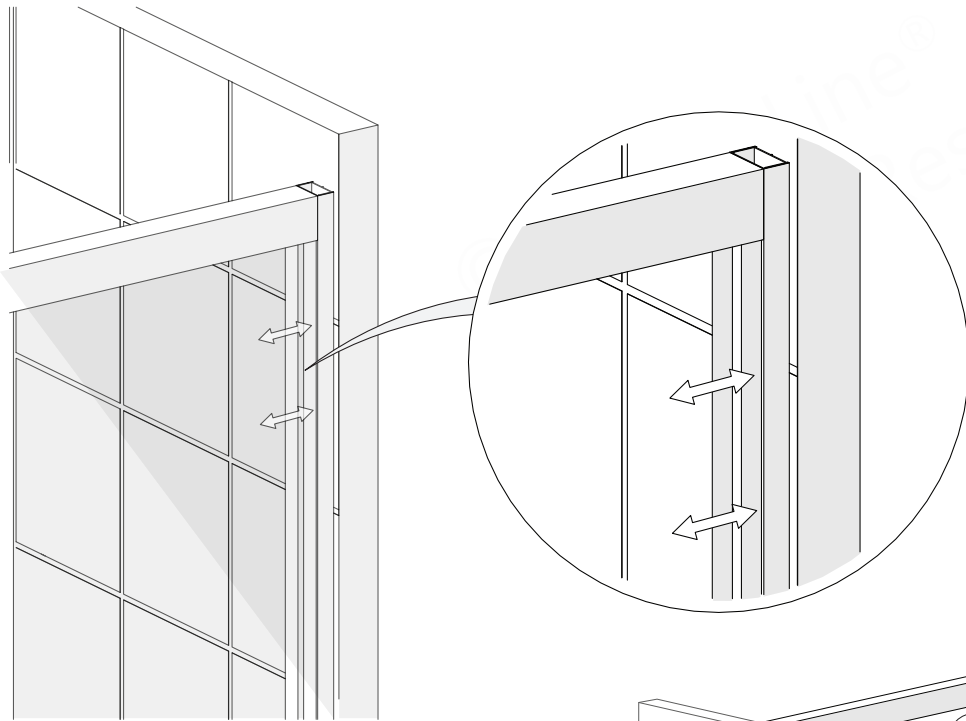


Fig 14a

NOTE

Make final adjustments by shifting the frame inside the **Wall Profiles**, moving it back and forth until the reveals are even on both sides. Installing the **Wall Profiles (#02)** in the previous step has automatically made any adjustments for out of plumb conditions. **Fig 14a**

NOTE

From inside the shower, drill four $\varnothing 1/8"$ (3mm) holes through the **Glass Profiles** using the four holes in the **Wall Profiles**. **Fig 14b**

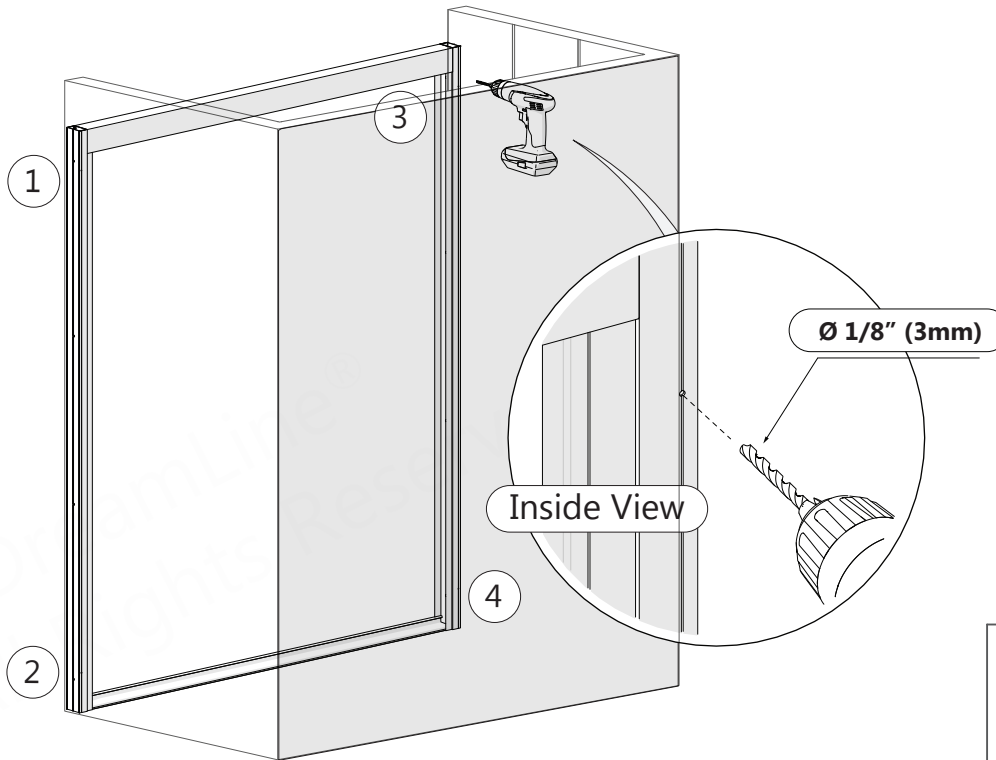
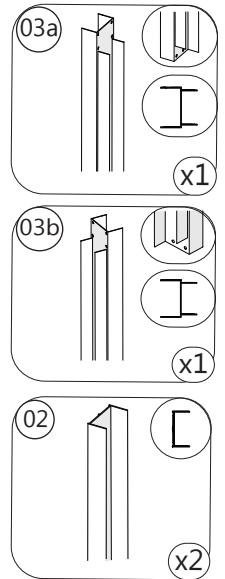
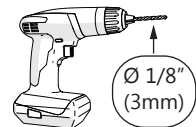


Fig 14b

Parts Needed



Tools Needed



15

NOTE

Use a **Phillips Screwdriver** to secure the **Glass Profiles (#03a and #03b)** to the **Wall Profiles (#02)** using the **Decorative Covers/Washers (#10)** and the **ST4.0 x 10 mm Pan Head Screws (#16)**. Do not overtighten. **Fig 15**

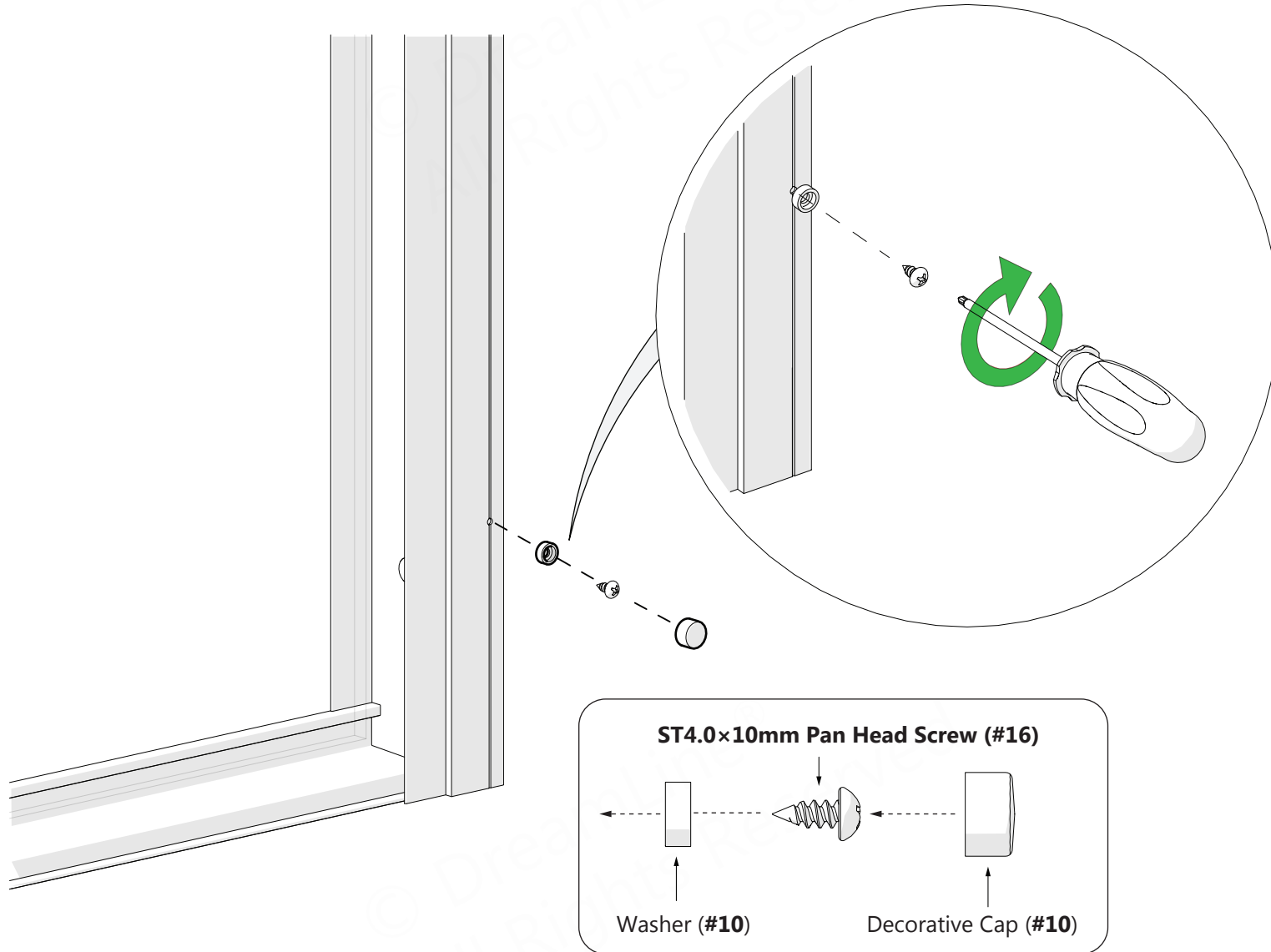
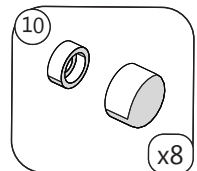
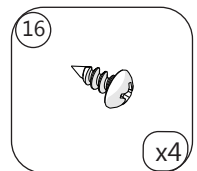
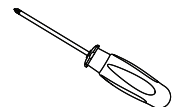


Fig 15

Parts Needed



Tools Needed



16

NOTE

Install the **Outside Door Glass (#05)** into the **Top Guide Rail (#01)** channel; carefully lifting the **Door** and the attached **Rollers** into the **Top Guide Rail** as shown and positioning the **Rollers** in the **outside** roller channel. Allow the door to hang freely. **Fig 16**

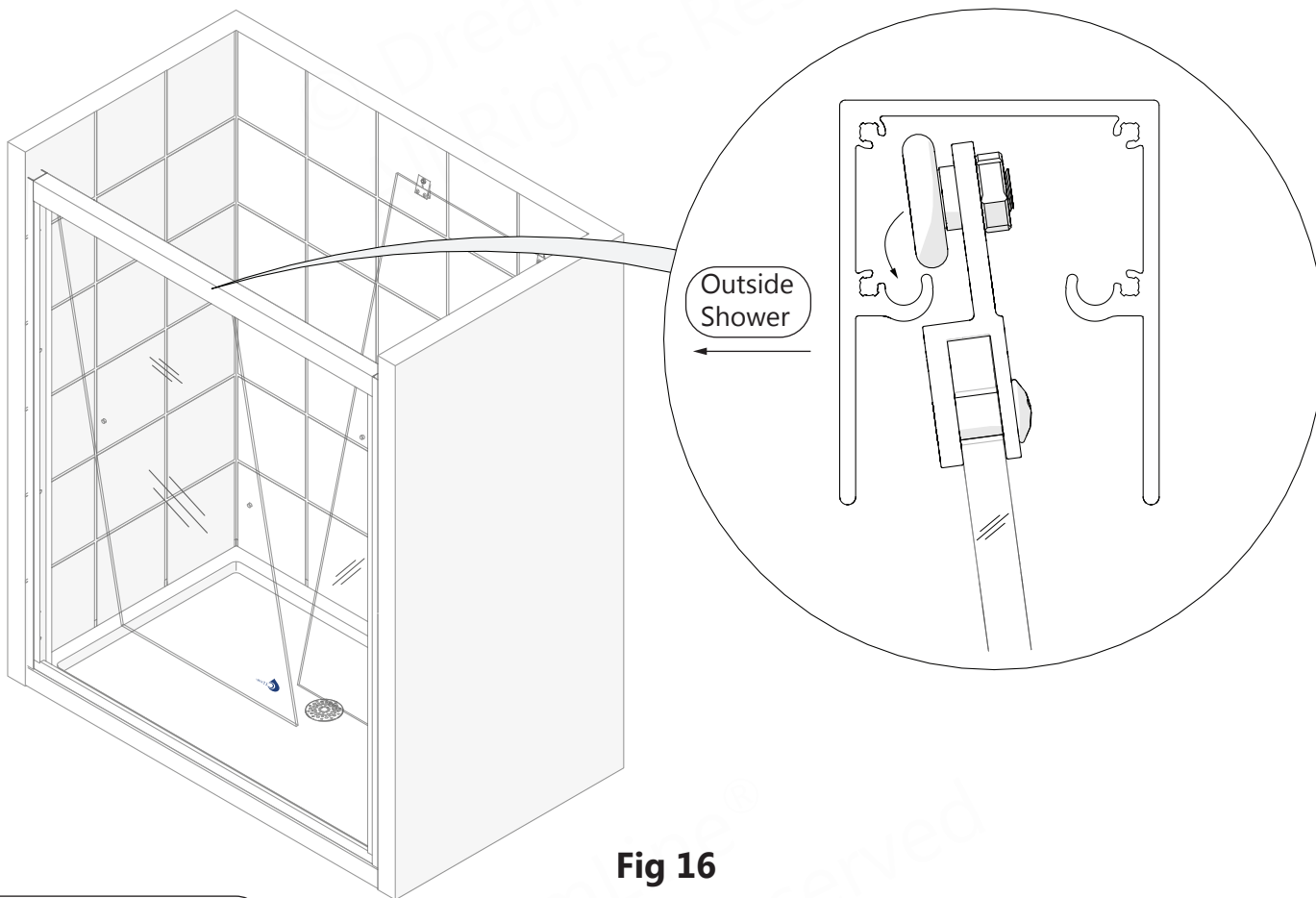
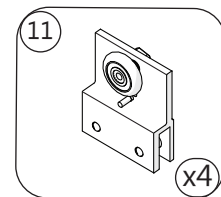
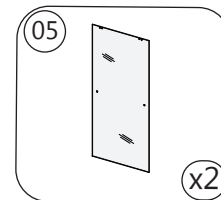


Fig 16

Parts Needed

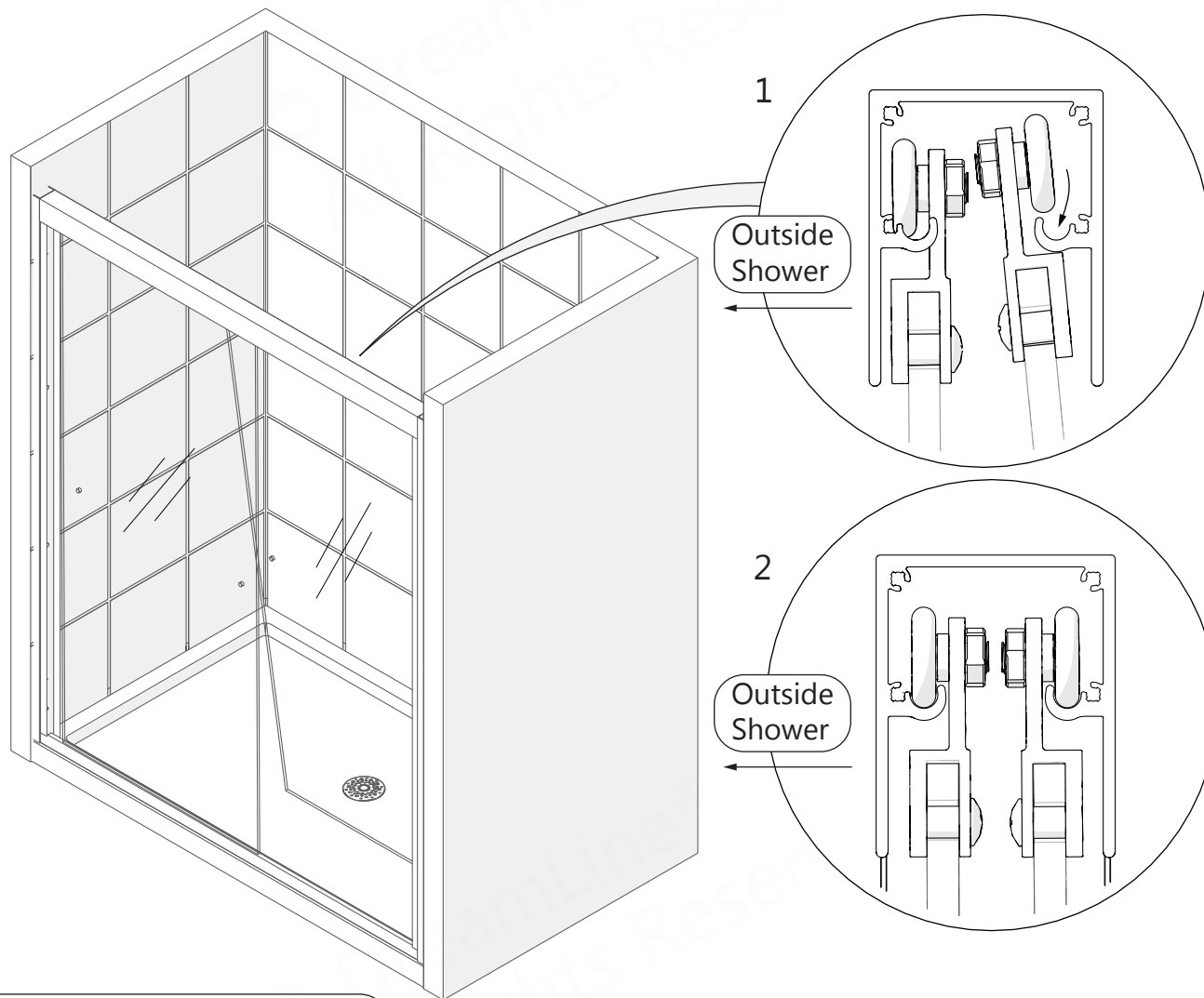


Be sure the ClearMax™ sticker on each door faces the inside of the shower when installed.

17

NOTE

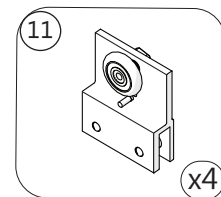
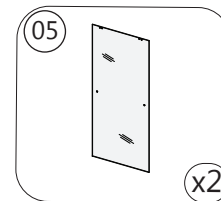
Install the **Inside Door Glass (#05)** into the **Top Guide Rail (#01)** channel; carefully lifting the **Door** and installed **Rollers** into the **Top Guide Rail** as shown, and positioning them in the **inside** roller track. Allow the door to hang freely. **Fig 17**



Confirm that all four **Rollers** glide smoothly inside the **Top Guide Rail**.

Fig 17

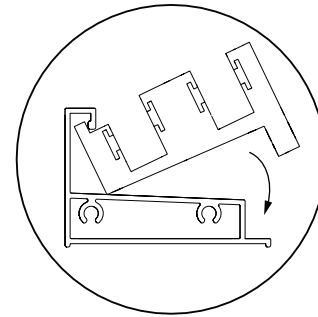
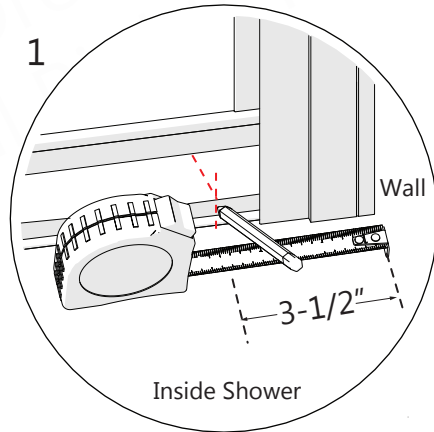
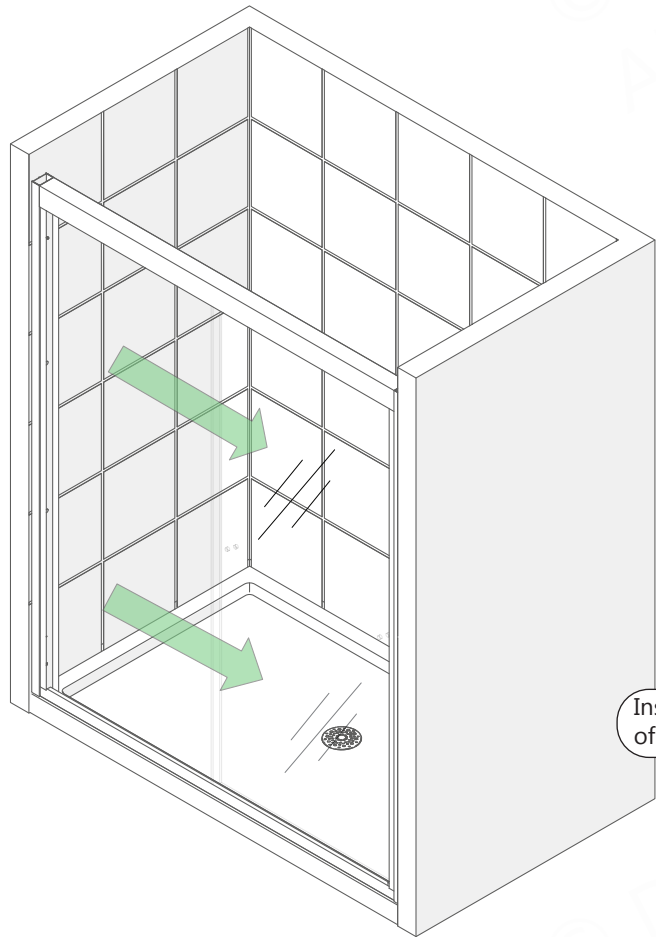
Parts Needed



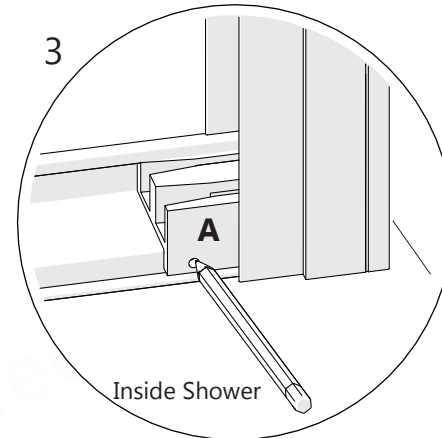
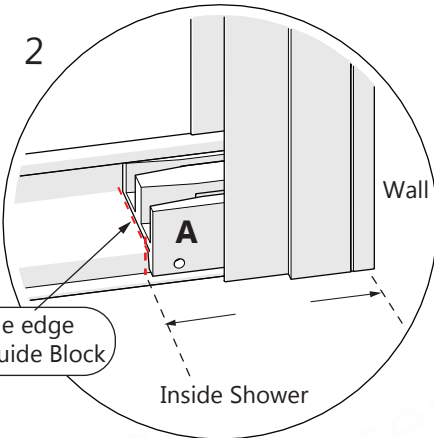
18

NOTE

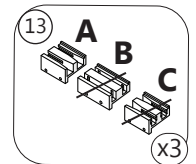
From inside the shower, slide both lites of **Door Glass (#05)** to the right. Measure in **3-1/2"** from the open-side wall along the **Bottom Guide Rail (#04)** and make a pencil mark. Place the inside edge of the **Left Guide Block (#13 A)** on the **Bottom Guide Rail** on the mark just made, and mark the hole on the side of the **Guide Block** for drilling. **Fig 18**



TIP Place the front edge of the guide block under the lip at the front of the Bottom Rail



Parts Needed



Tools Needed

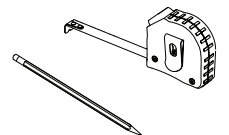
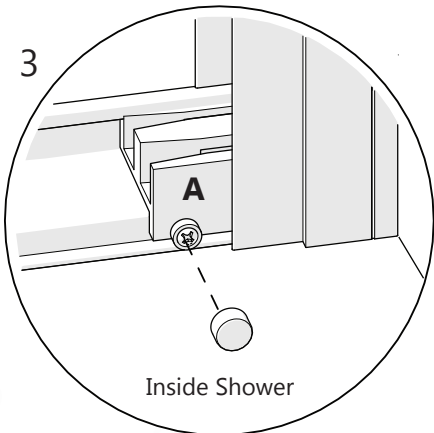
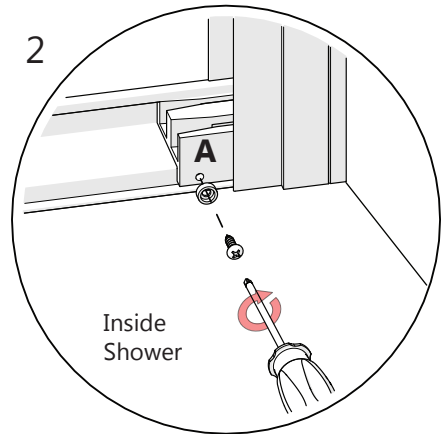
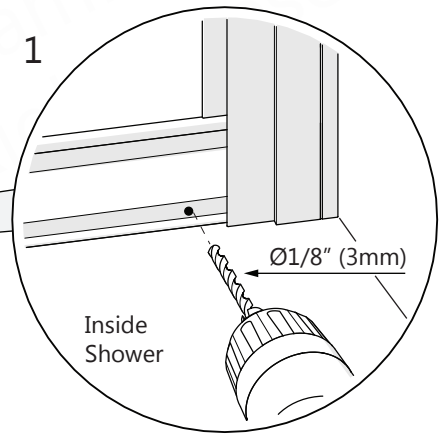
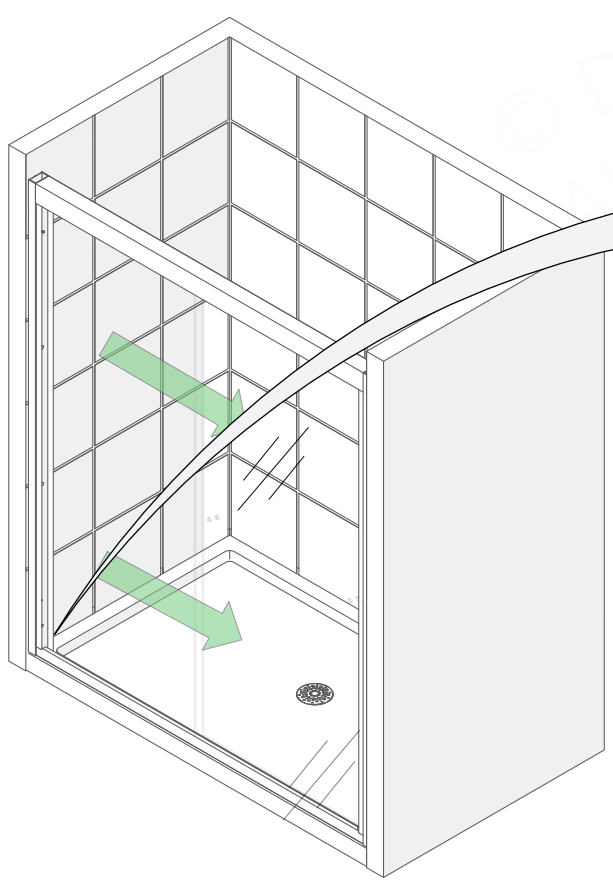


Fig 18

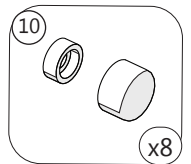
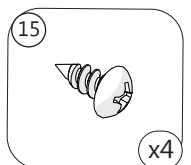
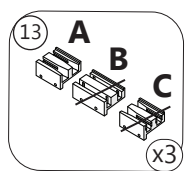
19

NOTE

Drill a 1/8" hole in the **Bottom Guide Rail** at the mark just made. Use a **Phillips Screwdriver** to install the **Left Guide Block (#13 A)** using the **ST4.0x16mm Pan Head Screw (#15)** and the **Decorative Cover and Washer (#10)**. **Fig 18**



Parts Needed



Tools Needed

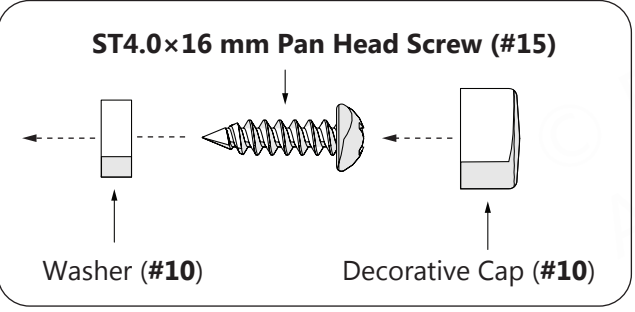
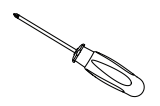
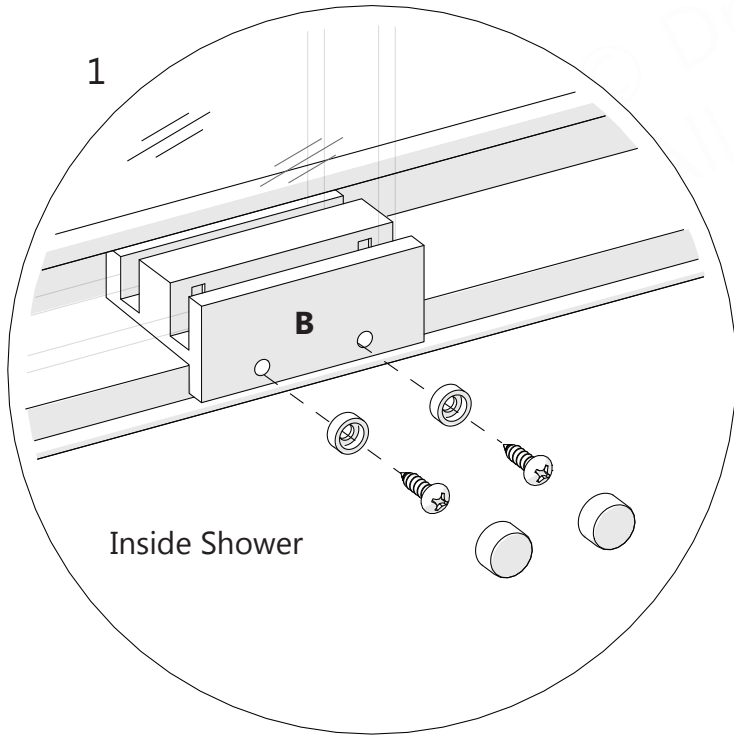


Fig 19

20



Repeat **Step #19** to install the **Middle Guide Block (#13 B)**. Move both doors to the opposite side and install the **Right Guide Block (#13 C)** to the **Bottom Guide Rail (#04)** using the **ST4.0 x 16mm Pan Head Screw (#15)** **Fig 20**



Move both lites of **Door Glass** to the opposite side of the shower before installing the **Right Guide Block (#13 C)**. The inside edge of the **Guide Block** should be **3-1/2"** from the wall.

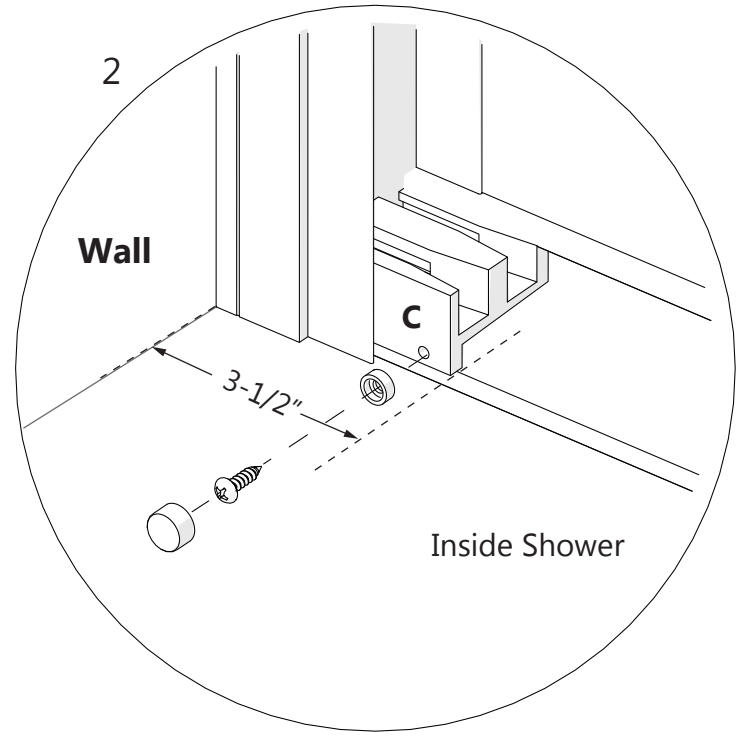
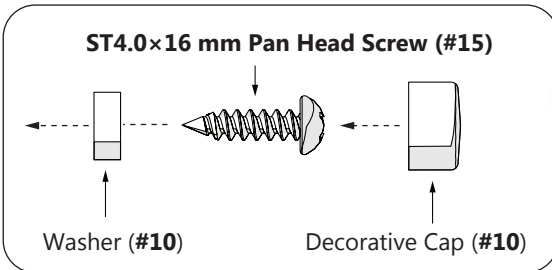
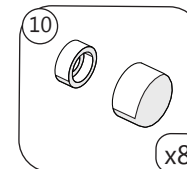
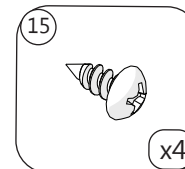
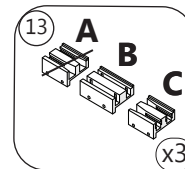


Fig 20

Installation of the Center Guide Block (#13 B) and the Right Guide Block (#13 C)



Parts Needed



21

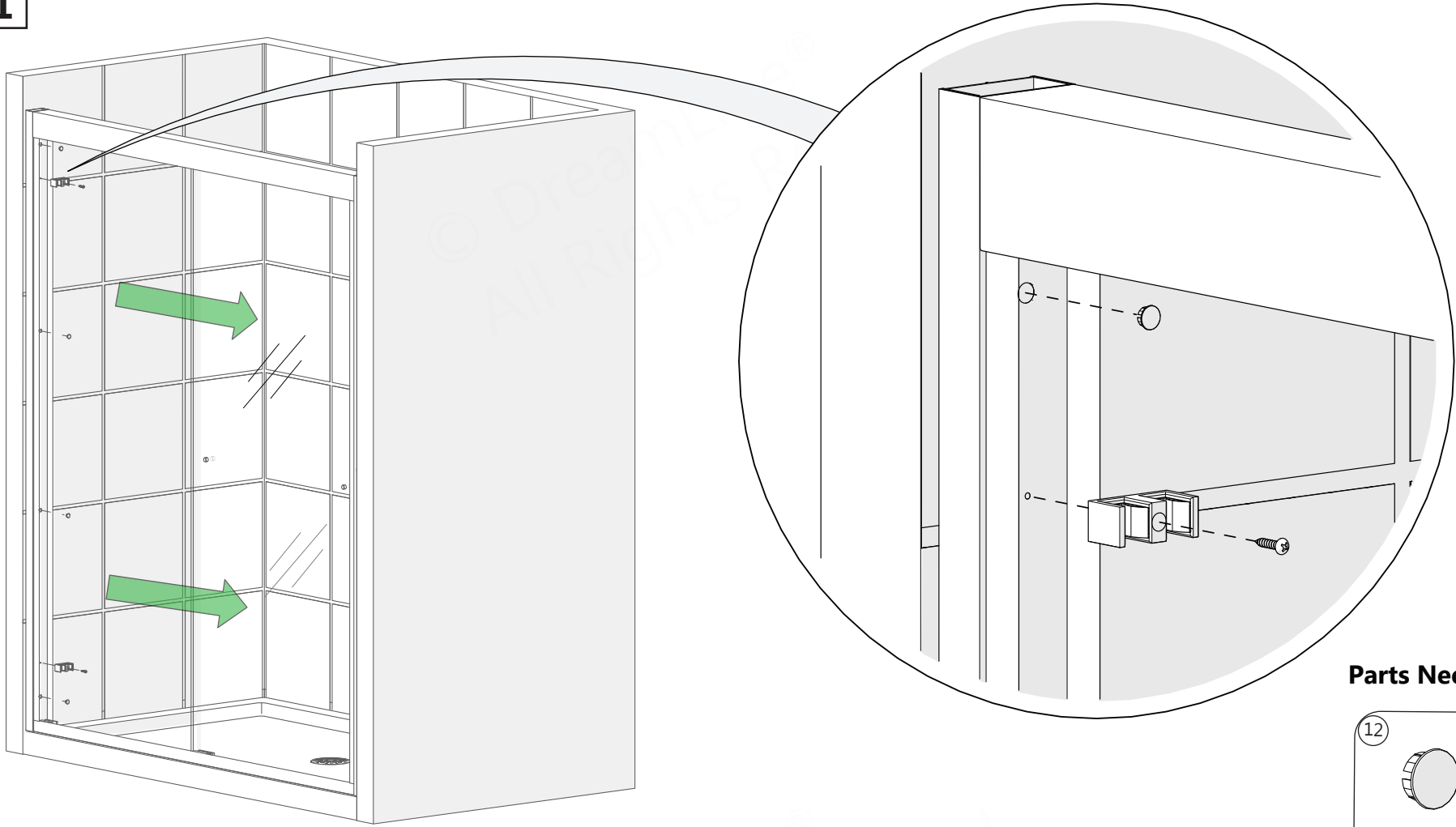
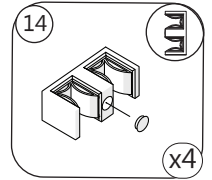
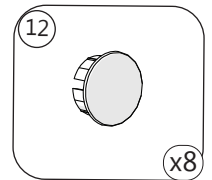


Fig 21

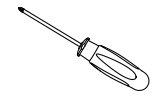
NOTE

Install the four **SafeClose™ Bumpers (#14)** into the **Glass Profiles** using the **ST4.0 x 20mm Pan Head Screws (#08)**. Install the **Round Plugs (#12)** in the holes where the **Wall Profiles** were attached in **Step 13. Fig 21**

Parts Needed



Tools Needed



22

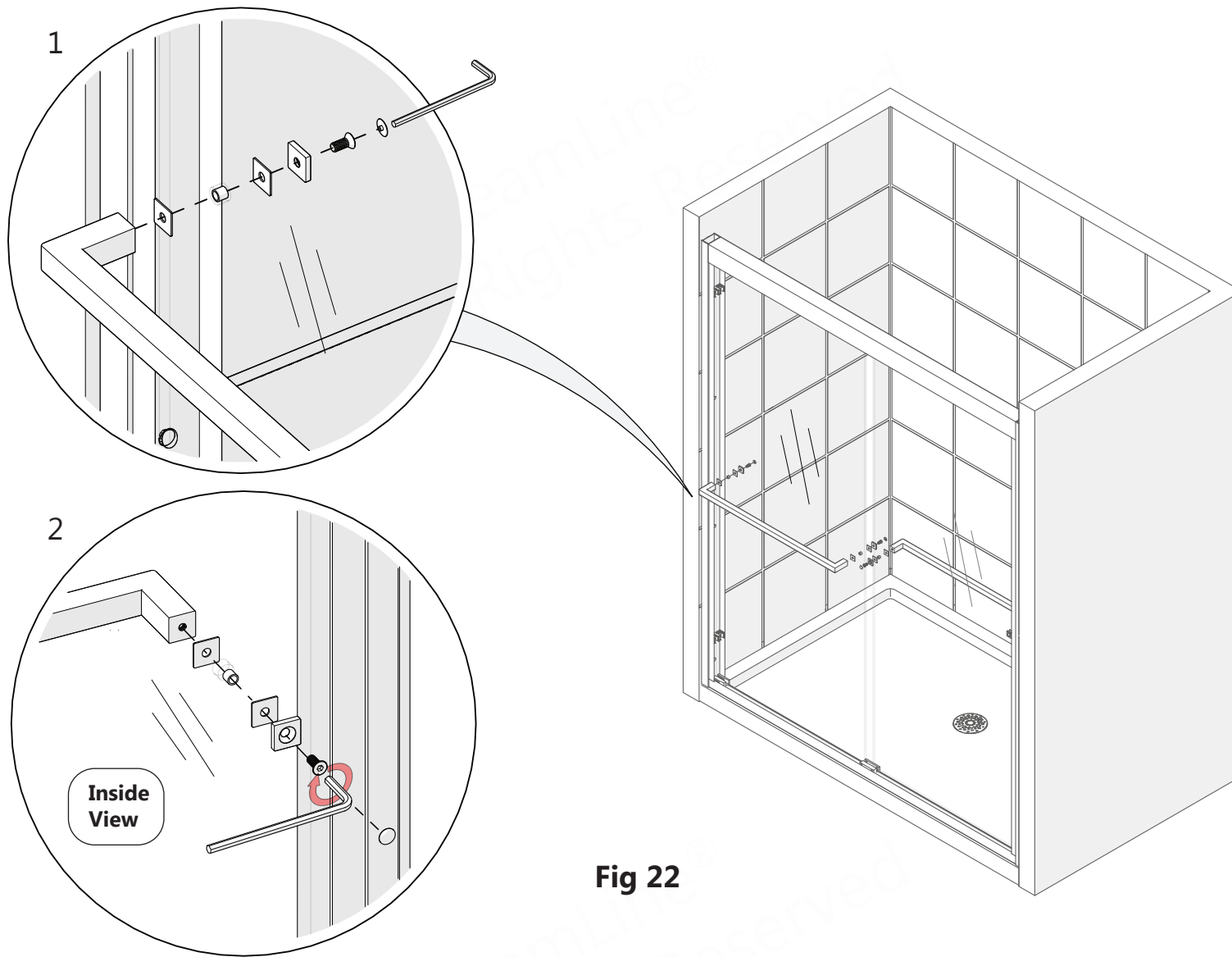
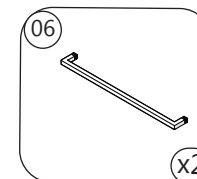


Fig 22

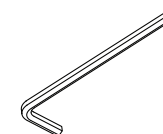
NOTE

Install both **Towel Bars (#06)** on both lites of **Door Glass (#05)**. Be sure the **Towel Bars** face the right direction, toward the outside for the Outside door, and toward the inside for the Inside door. Be sure to use the gaskets between the glass and metal **Towel Bars**. **Fig 22**

Parts Needed



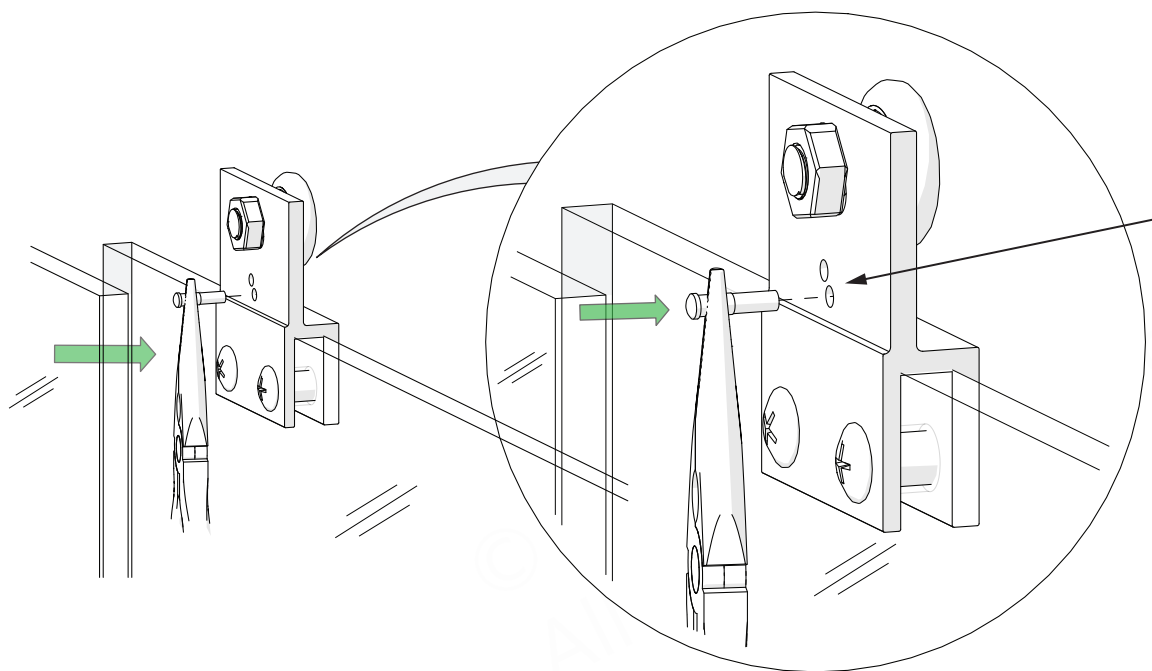
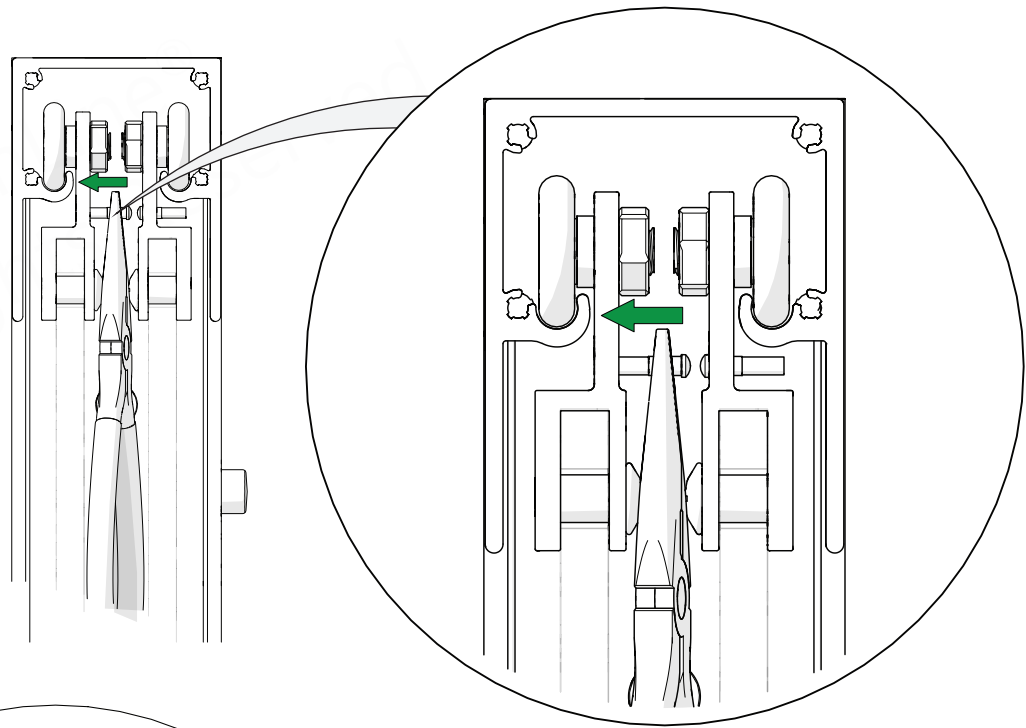
Tools Needed



23

NOTE

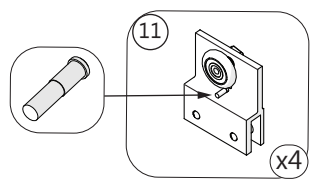
After final adjustments of the **Door Glass (#05)** use **Needle Nose Pliers** to install the small black **Pin Blockers** in all four **Rollers (#11)**. Insert the pins all the way into either of the holes in the Roller body, depending on prior adjustment of the **Door Glass (#05)**. The pins prevent the **Door Glass** from being lifted out of the channel. **Fig 23**



Insert pins in the hole closest to the bottom of the **Top Guide Rail (#01)**

TIP

Parts Needed



Tools Needed

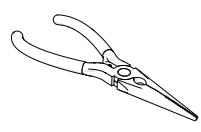
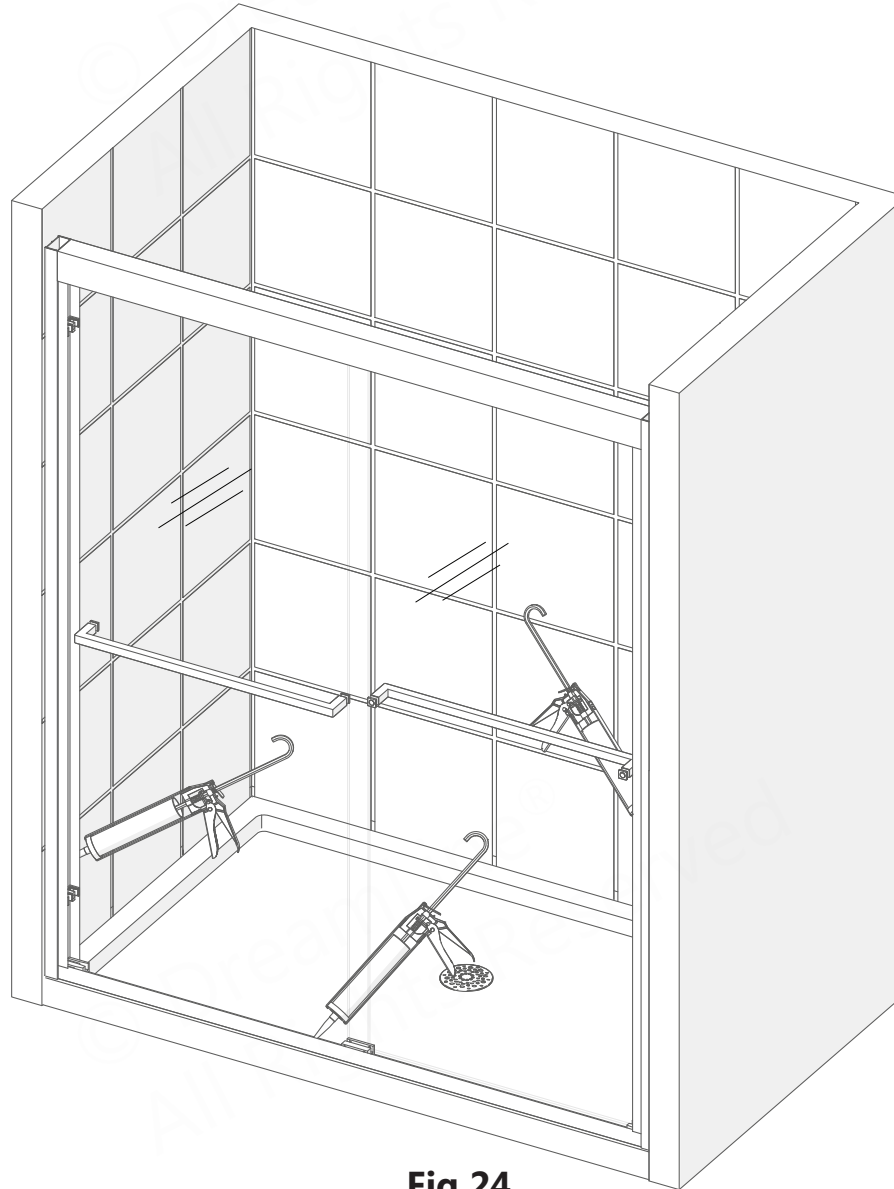
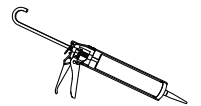


Fig 23

24

NOTE

From inside the shower, apply a good quality, mildew-resistant silicone where the **Profiles** meet the walls, on the seams between the **Bottom Guide Rail** and the vertical **Profiles** as well as where the **Bottom Guide Rail** meets the threshold. You may also apply silicone from the outside if you choose. **Allow 24 hours** for the silicone to fully cure before using the shower. **Fig 24**

**Fig 24****Tools Needed**

Product Maintenance

BASES and BACKWALLS: To ensure long lasting life for your acrylic back walls: wipe them off after each use with a soft cloth. To clean the acrylic back walls use non-abrasive sprays or cream based cleaners. Avoid the use of aerosol spray cleaners. Never use abrasive cleansers, metal brushes or scrapers that could permanently scratch or dull the surface.

GLASS: To ensure long lasting life for your glass shower products: wipe them off after each use with a soft cloth. Rinse and wipe off the glass using either a soft cloth or a squeegee to prevent soap buildup and water spots (Hard water can etch the surface of the glass over time if left to dry). To prevent scratching the surface: never use abrasive cleaners or cleaning products that contain scouring agents. Never use bristle brushes or abrasive sponges that may scratch the surface of the glass.

HARDWARE: To ensure a long lasting finish: wipe off all metal parts after each use with a soft cloth. Do not use abrasive cleaners or cleaning products containing ammonia, bleach or acid. If accidentally used, rinse the surface as soon as possible to prevent damage to the finish (peeling or corrosion). After cleaning the polished finishes, rinse thoroughly and wipe dry with a soft clean-cloth.

Clean stainless steel surfaces at least once a week. When applying stainless steel cleaner or polish to stainless steel hardware, work with the grain (not across the grain). Never use an abrasive sponge or cloth, steel wool or wired brush as these may permanently scratch the surfaces.



To maximize the life of your door, it is important to regularly inspect the glass and other hardware for misalignment, proper attachment, and/or damage. Contact DreamLine® with any questions or concerns.

Duet Plus Shower and Tub Door Maintenance Checklist

- Check that the unit is stable, operates smoothly and that installation is secure.
- Confirm that all screws/bolts are tight. Confirm that Wall Profiles (#02) are snug to the walls.
- Confirm that the bolts for the Rollers (#11) are tight and that the Rollers are tracking smoothly in the Top Guide Rail (#01).
- Confirm both lites of Door Glass are gliding smoothly through the Guide Blocks.
- Confirm both lites of Door Glass sit evenly in the cutouts in the SafeClose™ Bumpers when closed.
- Inspect exposed and concealed glass edges for damage (**damaged glass must be replaced!**).
- Inspect silicone caulk for gaps. Replace silicone as necessary to prevent water leakage.

Troubleshooting

Problem/Symptom	Suggested Solution	Page(s)
Missing Parts	<ul style="list-style-type: none"> •Check all shipping/packaging material for missing parts/components. •If not found, contact DreamLine Customer Support [1-866-731-2244] to order factory part replacement. 	5-7
Top Guide Rail (#01) and/or Bottom Guide Rail (#02) are cut too short	<ul style="list-style-type: none"> •If either the Top Guide Rail (#01) or the Bottom Guide Rail (#02) is cut too short during installation, contact DreamLine® Customer Support [1-866-731-2244] to order factory part replacement. 	9-11
Door Glass (#05) does not seal into the Glass Profiles (#03) during operation.	<ul style="list-style-type: none"> •Shim the Door Glass (#05) and adjust the Roller Assemblies (#11) with a helper to achieve a better seal with the Glass Profiles (#03) [see Page 17] •Confirm with a level that the Top Guide Rail (#01) and Bottom Guide Rail (#02) are installed level and parallel to one another. 	17-20
Water Leakage under the Bottom Guide Rail (#02)	<ul style="list-style-type: none"> •Confirm the Bottom Guide Rail (#02) has been tightly secured to the threshold with silicone caulk [see Pages 19 and 20] •Confirm the entire unit has been properly sealed with a waterproof, mildew-resistant 100% silicone caulk; allow at least 24 hours for the silicone to cure and set before using the shower unit. •Direct the shower head/water flow away from the area 	19-20
Towel Bar Handle(s) (#06) are loose.	<ul style="list-style-type: none"> •Verify that the vinyl gaskets and screws are in place and tightly secured. [see Page 29] 	29



Prior to contacting DreamLine® Customer Service, please have the following information readily available:

- Purchase Order Information
 - Name, PO Number, Dealer/Vendor Name, etc.
- SKU/Model Number (see Cover Page)
- Factory Part Information (see Pages 34-35)

Factory Parts Information

DUET PLUS SHOWER DOOR		FACTORY PARTS INFORMATION	
ITEM #	FACTORY PART NUMBER	ITEM DESCRIPTION	QTY
01	See Page 35	Top Guide Rail	1
02	042740 X 1-1829; 042740 X 1-1473	Wall Profile	2
03a	042720 X 1-1829B; 042720 X 1-1473B	Glass Profile (Left)	1
03b	042720 X 1-1829A; 042720 X 1-1473A	Glass Profile (Right)	1
04	041120 X 1-1156, 041120 X 1-1309; 041120 X 1-1435; 041120 X 1-1466A	Bottom Guide Rail	1
05	See Page 35	Door Glass	2
06	0722 X 036; 0722 X 061; 0722 X 035	Towel Bar	2
07	07552148	Wall Anchor	8
08	091103	ST4.0 x 20mm Pan Head Screw	16
09	091107	ST4.0 x 40mm Truss Head Screw	8
10	07551011	Decorative Cover with Washer	8
11	0733 X 003	Roller	4
12	0755 X 165	Round Plug	8
13a	07550003	Guide Block A (Left)	1
13b	07550002	Guide Block B (Middle)	1
13c	07550001	Guide Block C (Right)	1
14	0755 X 065	SafeClose™ Bumper	4
15	091102	ST4.0 x 16mm Truss Head Screw	4
16	091101	ST4.0 x 10mm Pan Head Screw	4

X = Indicates finish color

1 = Chrome

4 = Brushed Nickel

6 = Oil-Rubbed Bronze

9 = Satin Black

Contact **Support@DreamLine.com** for Part replacement, installation assistance or additional information.

Complete **Warranty** information is available on **DreamLine.com**.

Factory Parts Information - Top Guide Rail

TOP GUIDE RAIL		FACTORY PARTS INFORMATION	
ITEM #	FACTORY PART NUMBER	ITEM DESCRIPTION	QTY
48" MODEL			
01	042730 X 1-1156	Top Guide Rail	1
54" MODEL			
01	042730 X 1-1309	Top Guide Rail	1
59" MODEL			
01	042730 X 1-1435	Top Guide Rail	1
60" MODEL			
01	042730 X 1-1466	Top Guide Rail	1

Factory Parts Information - Door Glass

DOOR GLASS		FACTORY PARTS INFORMATION	
ITEM #	FACTORY PART NUMBER	ITEM DESCRIPTION	QTY
GL1848W720XXXCL			
05	010053002	Door Glass: 69" x 24" x 5/16" (1755mm x 603mm x 8mm)	2
GL1854W720XXXCL			
05	010053004	Door Glass: 69" x 28" x 5/16" (1755mm x 680mm x 8mm)	2
GL1859W580XXXCL			
05	010053003	Door Glass: 55" x 30" x 5/16" (1399mm x 756mm x 8mm)	2
GL1860W720XXXCL			
05	010053001	Door Glass: 69" x 30" x 5/16" (1755mm x 756mm x 8mm)	2

X = Indicates finish color

1 = Chrome

4 = Brushed Nickel

6 = Oil-Rubbed Bronze

9 = Satin Black

Contact Support@DreamLine.com for Part replacement, installation assistance or additional information.

Complete **Warranty** information is available on DreamLine.com.



TEL: 866-731-2244
FAX: 866-857-3638
DREAMLINE.COM

For more information on DreamLine® Shower Doors and Enclosures please visit **DreamLine.com**