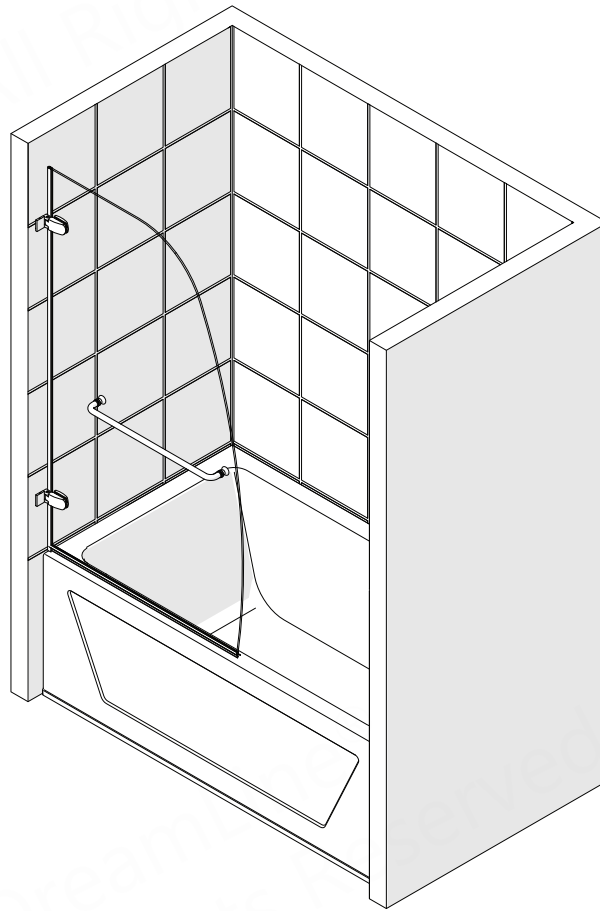




AQUA UNO

TUB DOOR INSTALLATION INSTRUCTIONS

PLEASE REVIEW THIS ENTIRE MANUAL PRIOR TO INSTALLATION



left-swing door installation shown

SHDR-3534586-##

##=finish

01 - Chrome

04 - Brushed Nickel

06- Oil Rubbed Bronze

09- Satin Black

IMPORTANT!

DreamLine® reserves the right to alter, modify or redesign products at any time without prior notice for the purpose of product improvement and customer experience. Please refer to the model's web page on **DreamLine.com** for the latest technical drawings, installation manuals, warranty information or additional product details.

Do Not Return Product to the Store. Contact DreamLine® with any questions



Questions?

Please Call **DreamLine Customer Support: 1-866-731-2244**
Hours of Operation M-F 8AM - 6PM EST

Support@DreamLine.com





Record the following purchase information for your records or in the event you need to contact DreamLine®:

Purchase Order
Number _____

Store/Vendor
Purchased From _____

Installation Date _____

OD Number
(optional) _____
located on the shipping box or label
if available.

Installed By: _____

SKU Number _____

Table of Contents

Section Title	Page #
Warnings and General Preparation	2
Model Specific Preparation	3
Tools	4
Detailed Diagram of Aqua Uno Tub Door Components	5
Parts List	6
Installation Steps	7-15
Vinyl Seals Installation	13-14
Towel Bar / Handle Installation	15
Product Maintenance	16
Troubleshooting	17
Factory Parts Information	18

Symbol Legend



TIP - for ease of installation.



CORRECT - recommended.



NOTE - take note of special feature; additional information.

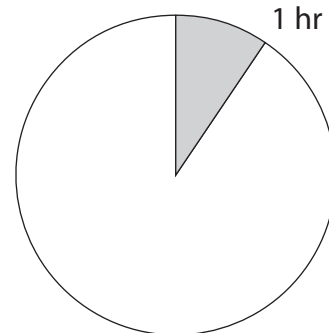


INCORRECT - not recommended.



REQUIRED - requires special attention; signifies a warning.

Average Installation Time





IMPORTANT

- DreamLine® reserves the right to alter, modify or redesign products any time without prior notice for product improvement and customer experience. Please refer to the model's web page on **DreamLine.com** for the latest technical drawings, installation manuals, warranty information or additional product details.
- This product should be installed by someone familiar with the construction requirements for this type of project and the care necessary for the safe installation and operation of the product.
- The safety of any installation is the responsibility of the installer.
- Professional installation recommended. (*All Models*)
- Professional installation required. (*Enigma Series*)
- To prevent damage or serious injury, Do Not lean against the installed panel/door/glass.
- To prevent damage or serious injury: Do Not attempt to lift or move a heavy lite of glass alone. Use an assistant and/or a professional grade glass suction cup.
- The installation of some models may require drilling down into the threshold. Contact the manufacturer of the base, tub, or threshold material with any questions regarding the drilling of holes into their product.
- All drawings in this installation manual are for illustrative purposes only and are not drawn to scale.

TEMPERED GLASS WARNING

- Your Shower Door Glass Could Shatter Without Warning if Improperly Installed or Mishandled
- Do Not install or operate a shower door if the glass has chipped corners, slivered edges or is otherwise damaged and/or has been dropped or banged into a hard surface such as tile, marble or glass.
- **The main causes of tempered glass breakage are:**
 - Improper handling, storage or installation
 - Misuse/abuse
 - Lack of maintenance
 - Failure to replace damaged glass
 - **Improper handling during storage, unpacking and installation:**
 - Corners and edges are the most susceptible area to damage on a lite of tempered glass and should be protected and handled with care during storage, unpacking, installation and operation. A concentrated point of pressure or impact with a surface harder than itself may cause the tempered glass to shatter. The tempered glass may release immediately, within several hours or even days later.
 - **Incorrect installation of door hardware, rollers, hinges, channels, stopper or glass:**
 - Improper installation may include: loose hardware and/or lack of proper gaskets between the hardware and glass. Additionally, improper alignment of guide rails, wall profiles or other hardware during installation or operation may place stress on the glass edges and cause it to break.
 - This product must be installed by a professional and experienced installer familiar with the safe handling of tempered glass.
 - **Improper use of this product:**
 - Aggressively opening or closing the door may cause trauma to the glass, which can lead to breakage. This may occur immediately or hours or even days later.
 - **The shower door hardware and glass should be inspected periodically:**
 - Instruct the homeowner how to perform a periodic inspection of the shower hardware and glass - some minor adjustments may be necessary based upon the use (or misuse) of the shower door. Ensure that the hardware remains tight and that the door alignment and operation are correct. Any adjustments should be made upon discovery to prevent damage to the product.
 - Additional considerations should be given to the installation of frameless tempered glass products in households with young children or an elderly person due to an increased chance of improper handling. In such cases, alternatives such as shower curtains or grab bars should be considered.

GENERAL PREPARATION

- After opening all boxes and packages, read this introduction carefully. Check that all the items are included in the package by marking off the components on the **“Detailed Diagram of Product Components”** page. Examine all boxes and packages for shipping damage. If the unit has been damaged, has a finishing defect, or is missing parts; please contact our Customer Support department within 3 business days of the delivery date. **Please note that DreamLine® will not replace any damaged products or missing parts free of charge after 3 business days or if the product has been installed.** Please contact DreamLine® if you have any questions.
- **Please note that you should refer to your local building codes with questions on installation compliance standards. Building and plumbing codes may vary by location, and DreamLine® is not responsible for code compliance standards for your project and will not accept any returns.**
- If this unit is going to be installed in a new construction, install all the required plumbing and drainage before installing the shower. **Use a competent and licensed (if required by local code) plumber for all plumbing installation.**
- Make sure that prior to beginning the installation, the surfaces are leveled and solid and will be able to support the total weight of the unit. Also make sure the walls are at right angles. Irregular installation surface level, radius corners or improper angle of side walls will result in serious problems for your installation. Please note that some adjustments and drilling will be necessary during the installation process.
- Protect all primary surfaces of the product during installation. Never set your glass down directly onto a tile floor. Leave corner protectors in place until it is necessary to remove them. Always use a piece of wood or cardboard to protect the bottom edge and corners of the glass prior to and during installation.
- This unit must be installed upon a finished threshold and against finished walls.
- *DreamLine® shower doors are not designed to be installed into a fiberglass surround due to the radius corners and lack of a solid surface to mount the hardware.*

WARNING: TO AVOID THE RISK OF DAMAGE OR INJURY:

- **Follow all recommendations and requirements as shown in the installation instructions.**
- Perform a thorough inspection of the glass and all parts for any damage prior to installation. Any damage to tempered glass can cause breakage. **Do Not install damaged glass!**
- Do Not install or operate a shower or tub door if the glass has chipped corners, slivered edges or is otherwise damaged. Do Not install or operate a shower or tub door that has been dropped or banged into a hard surface such as tile, marble or glass.
- **CAUTION:** Contact with any hard surface can damage tempered glass and cause it to shatter.
- This product uses tempered glass. Glass cannot be cut after it has been tempered. **Do Not attempt to cut tempered glass.**
- DreamLine® Glass Shower doors, Tub doors, Inline panels, and Return panels can shatter due to improper handling or lack of maintenance. Conduct periodic inspections of glass and all parts for possible damage, missing or loose parts.
- Always wear proper safety equipment such as: safety goggles, work gloves and appropriate footwear during the installation process.
- **WARNING. Risk of leakage and/or damage.** Follow all instructions regarding the application of silicone sealant or caulk. Allow 24 hours for the sealant to cure before the initial use of the shower or tub product. Follow the silicone manufacturer's recommendations regarding the use of their product.
- **Thoroughly read these instructions before installing or using this product.**
- **Leave this manual for the end-user of the product.**



This product should be installed by someone familiar with the construction requirements for this type of project and the care necessary for the safe installation and operation of the product.

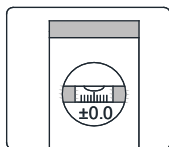


Professional Installation recommended

Model Specific Preparation

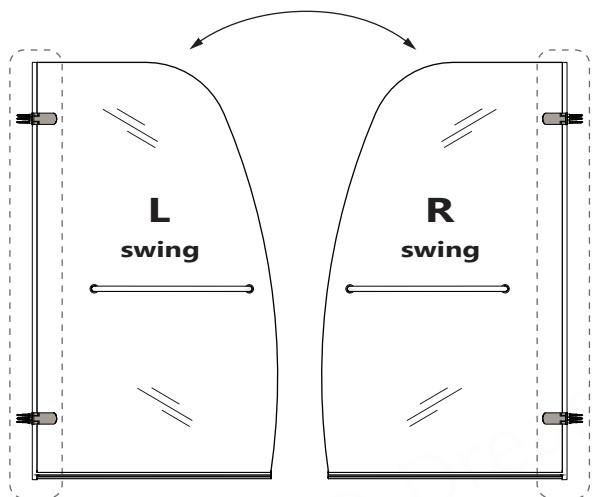
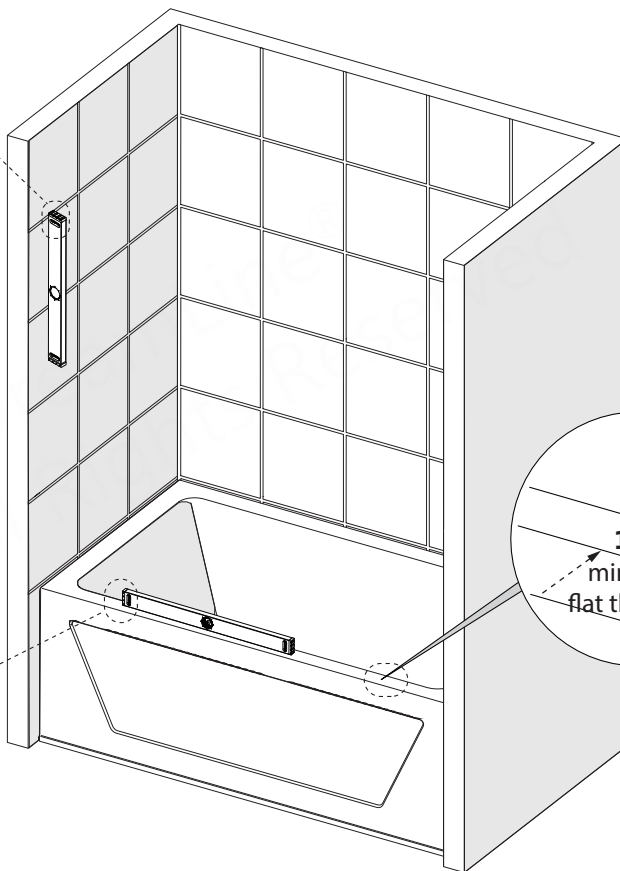
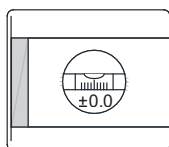
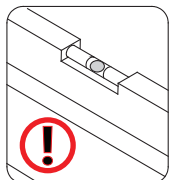
! REQUIRED:

Installation wall must be plumb



Verify tub deck and walls with a level

Threshold must be level



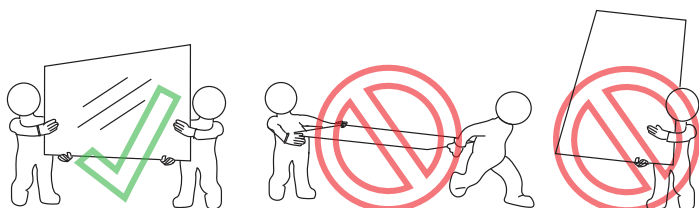
DO NOT attach the towel bar to the door glass until instructed.
DO NOT use the towel bar to lift the glass during installation. This may result in damage to the glass and/or serious injury. Always use an assistant or a professional grade glass suction cup when handling heavy glass.
NOTE: The Towel Bar is NOT a grab bar.

NOTE

This model is reversible for right or left swing door installation. The left swing door installation is shown as an example throughout this manual. For the right swing door installation, simply begin on the opposite wall and reverse the orientation of the installation steps shown.

NOTE

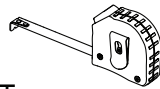
Professional installation with two installers is recommended for this product.



Tools



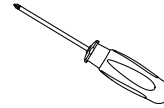
Level



Tape Measure



Pencil



#2 Phillips Screwdriver



Power Drill



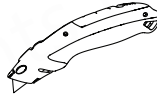
Drill Bit
Ø1/8"
(3mm)



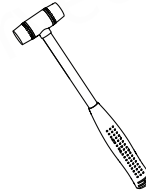
Drill Bit
Ø3/16"
(4.76mm)



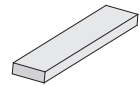
Drill Bit
Ø5/16"
(8mm)



Razor Knife



Soft Head Hammer



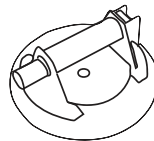
1/2" (12mm) shims
(wood or plastic)



Safety Glasses



Work Gloves



Professional-grade Glass suction cup
(optional but recommended)



Verify that the correct model size has been ordered; measure the finished opening **before** proceeding with the installation.

Confirm that the finished walls are plumb and the threshold is level and pitched into the shower area.

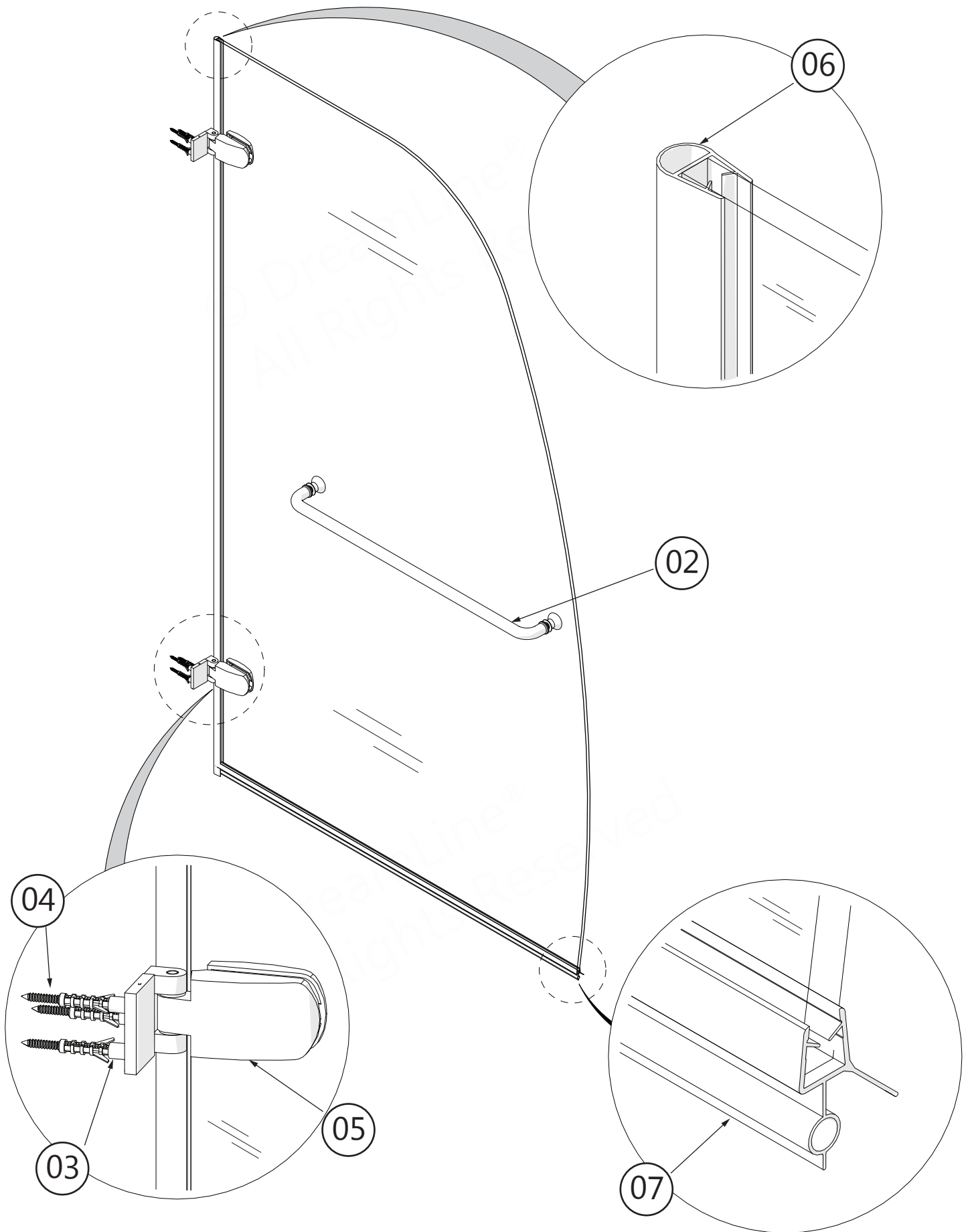
Cover the shower/tub drain with tape prior to installation to prevent the loss of screws or small parts.

Use a type of drill bit that is appropriate for drilling into the finished surface material.

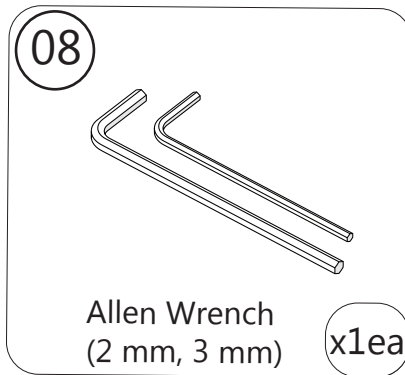
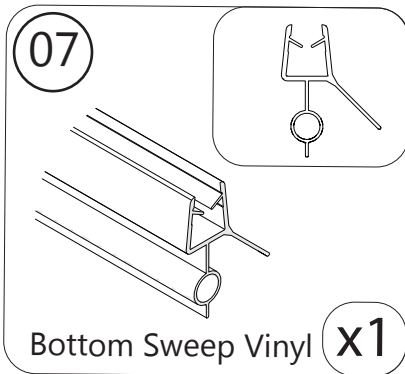
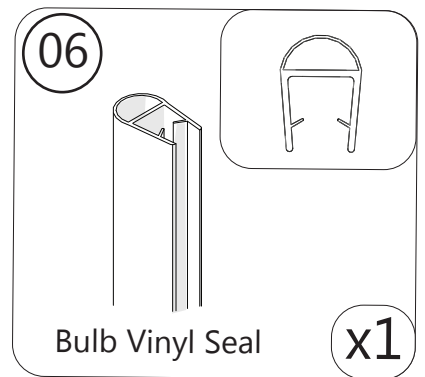
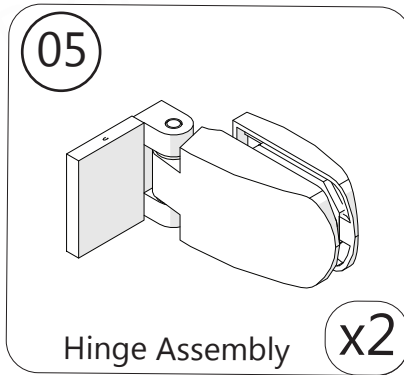
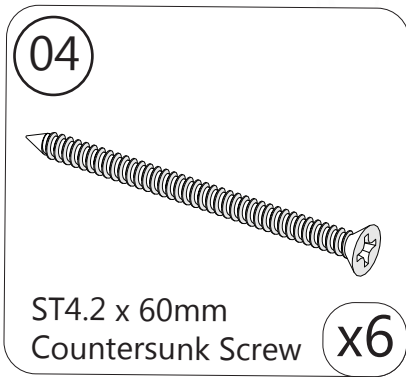
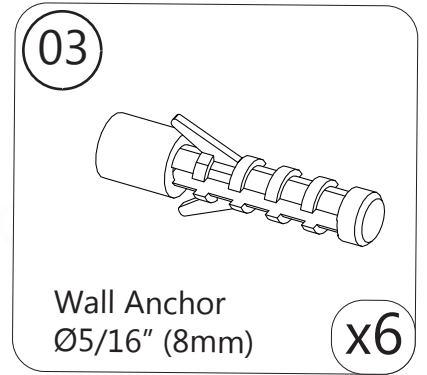
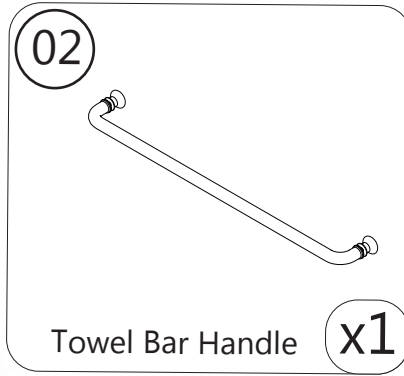
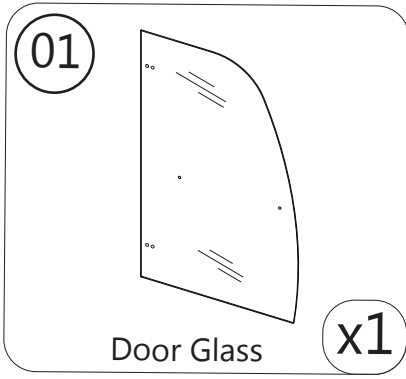


Unpack your unit carefully and inspect it. Lay it out and identify all parts using the Detailed Diagram on page 5; and packing list in this manual as a reference. Before discarding the carton, check for small hardware bags that may have fallen to the bottom of the box. If any parts are damaged or missing, please contact DreamLine® for replacement. The shipping boxes may contain extra parts not used in your model configuration. Retain these installation instructions for future reference.

Detailed Diagram of AQUA UNO Tub Door Components



Parts List



1

Installation Steps

Remove the decorative cover.
Remove the Hinge Plate Cover by loosening the set screw.
Then remove the Hinge Plate. **(Fig 1)**

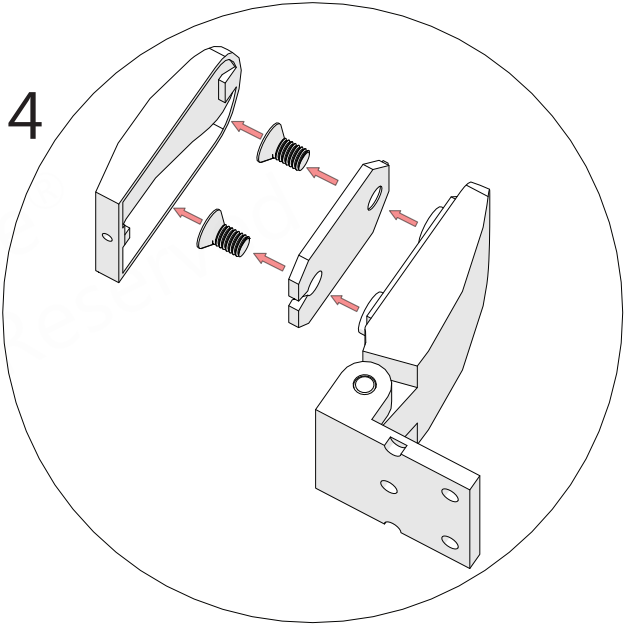
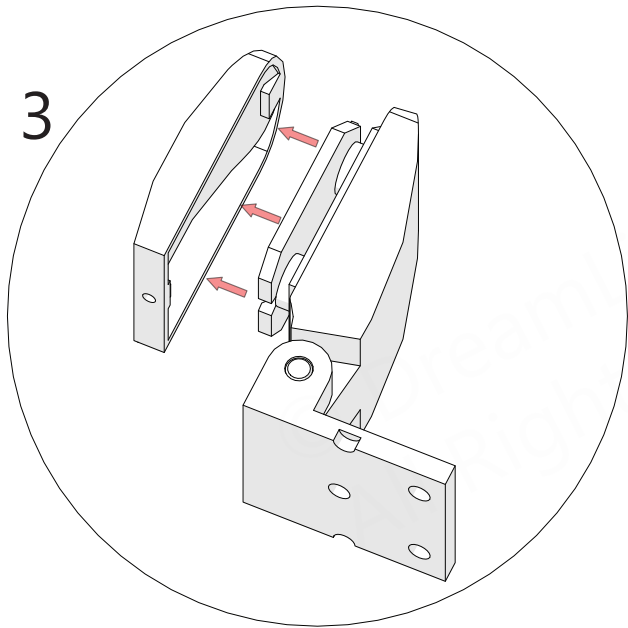
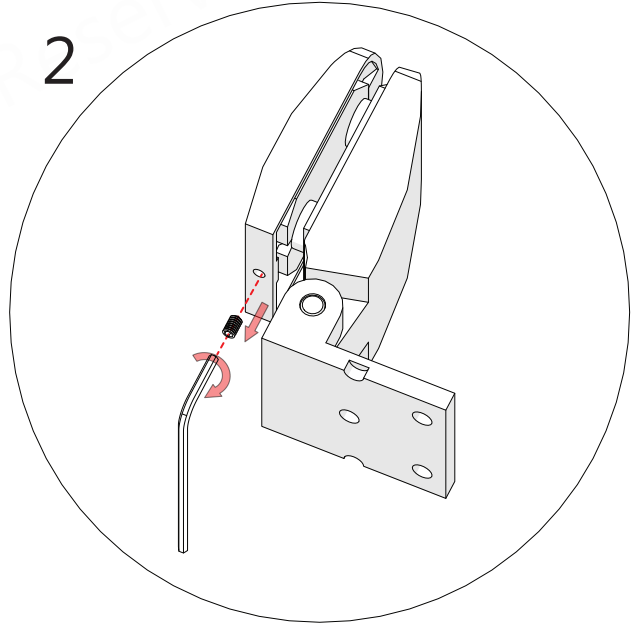
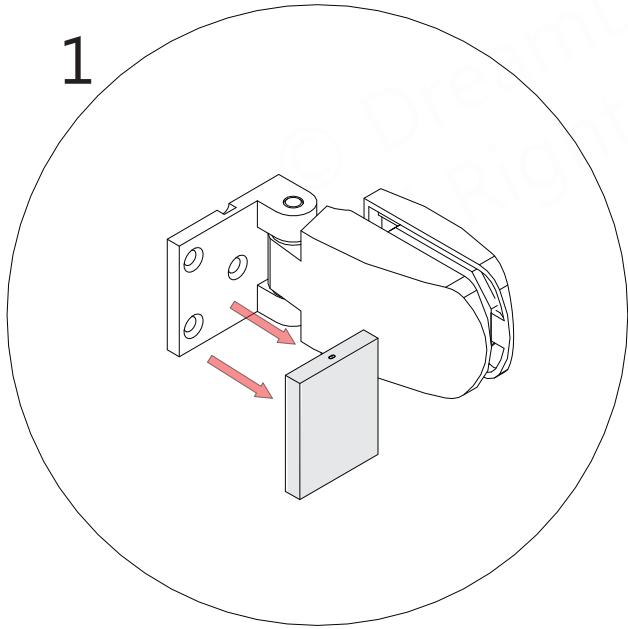
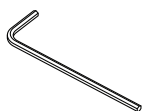


Fig 1

Tools Needed



2



Never set glass down directly onto a tile or concrete floor surface. Always use a piece of wood or cardboard and leave the corner protectors on the glass until it becomes necessary to remove them. Always protect the bottom edge and corners of the glass from damage which could lead to breakage and/or serious personal injury.



Attach both **Hinge Assemblies (#05)** squarely onto the **Door Glass (#01)**.

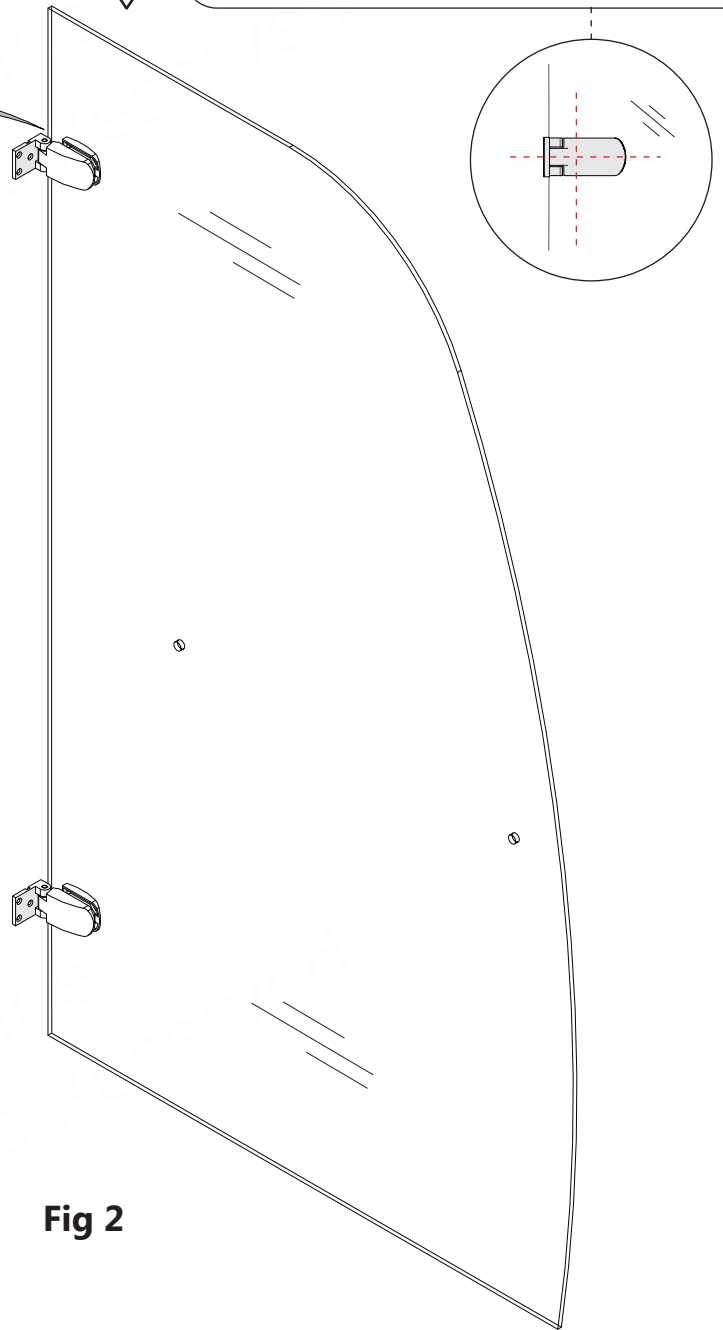
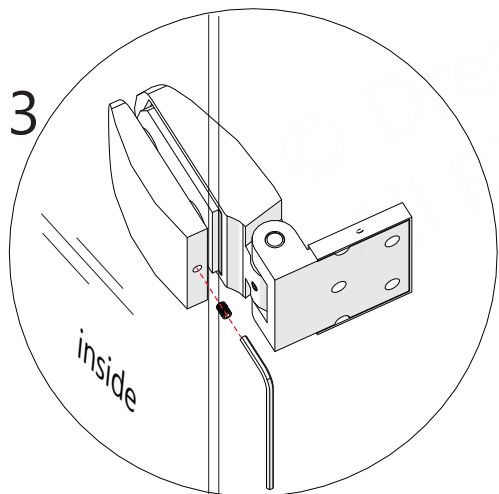
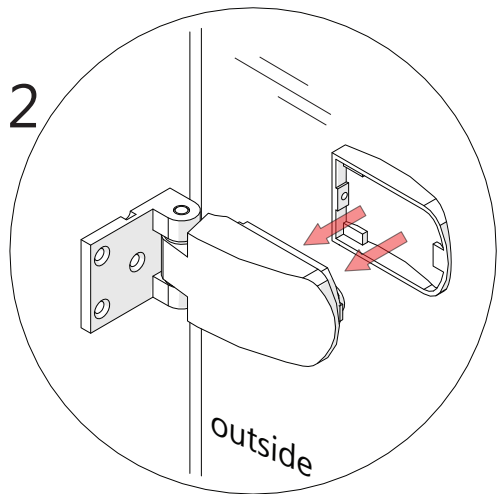
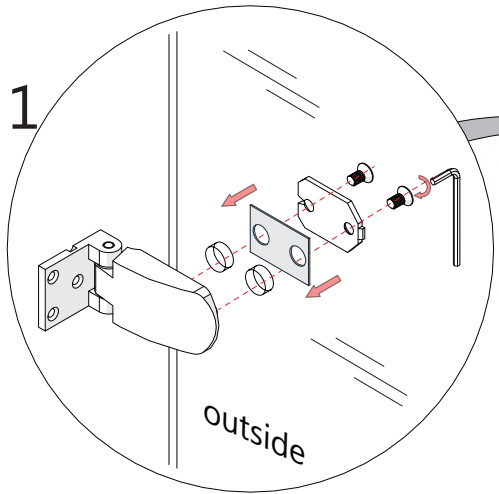
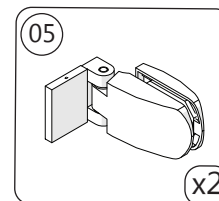
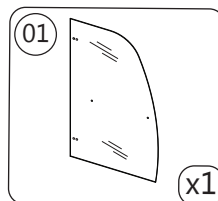
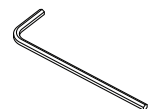


Fig 2

Parts Needed



Tools Needed



3



NOTE: DO NOT attach the towel bar to the door glass until instructed. **DO NOT** use the towel bar to lift the glass during installation. This may result in damage to the glass and/or serious injury. Always use an assistant or a professional grade glass suction cup when handling heavy glass.

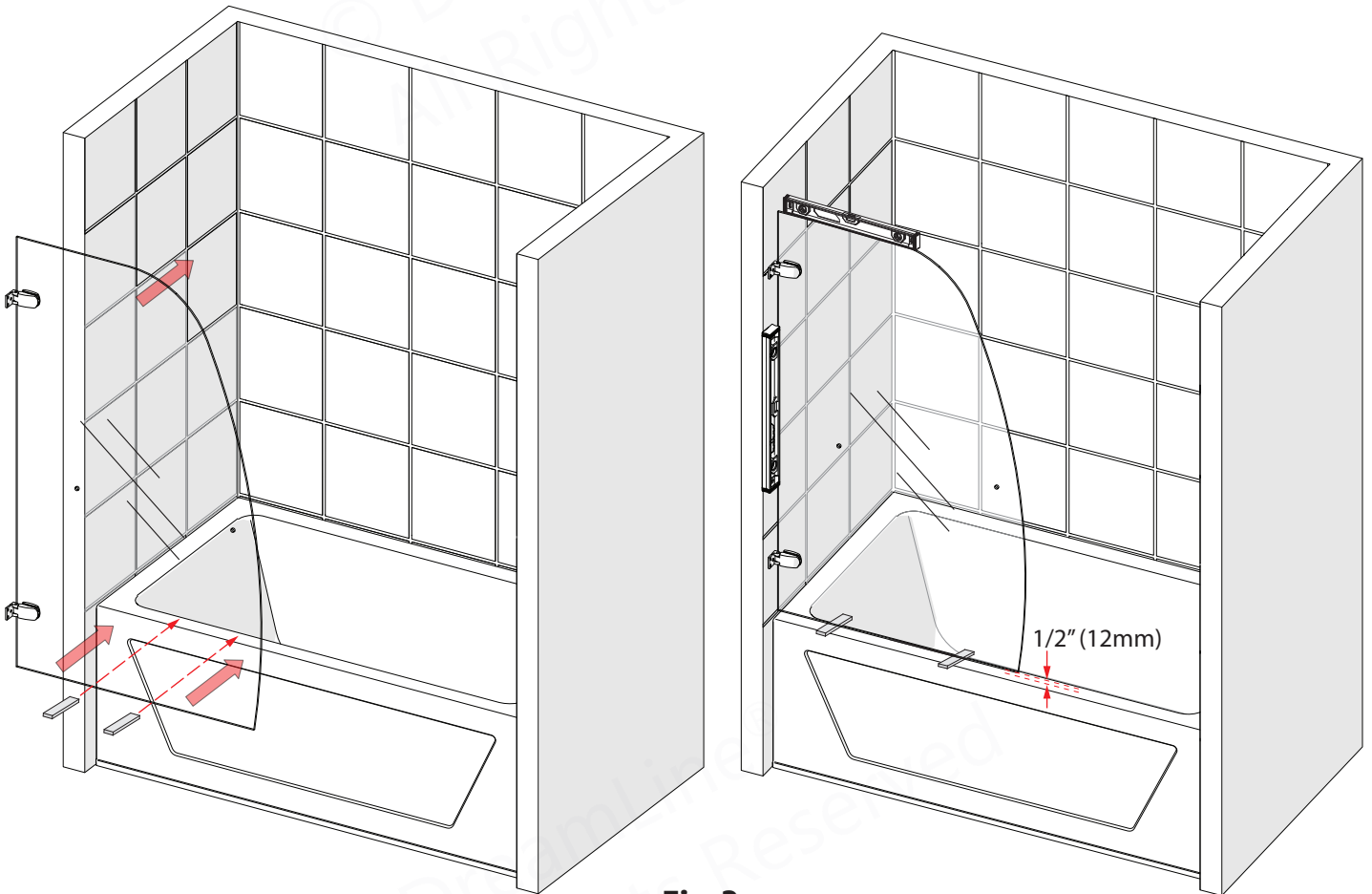
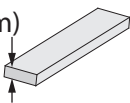


Fig 3

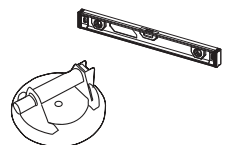


Place **1/2" (12mm)** thick wood or plastic shims onto the bathtub deck to provide for proper spacing beneath the door glass.

1/2" (12mm)



Tools Needed



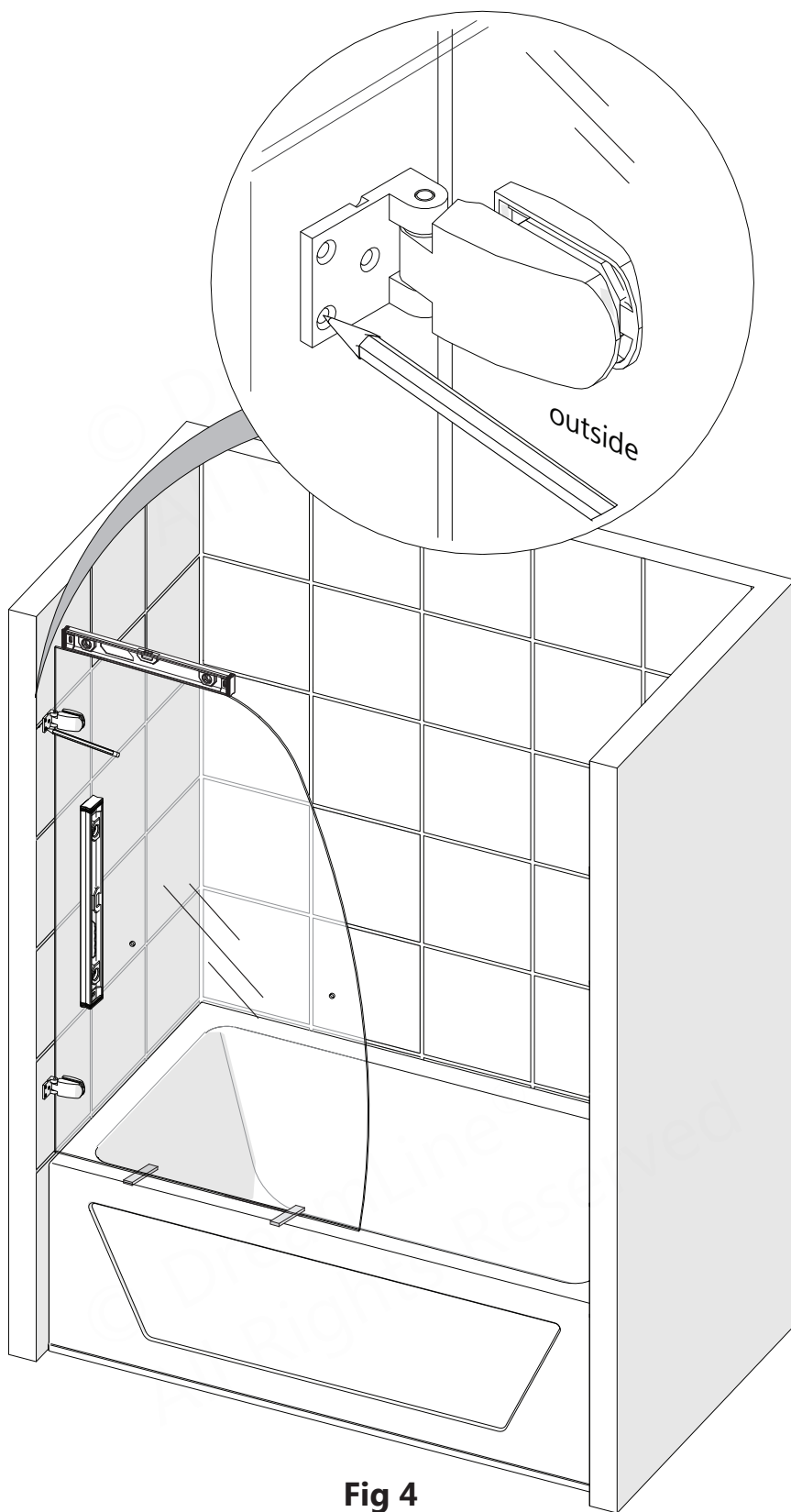
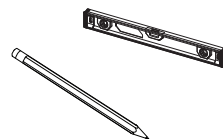


Fig 4



Check the **Door Glass (#01)** with a level to verify it is plumb **BEFORE** marking the **Hinge Assembly (#05)** positions on the wall.

Tools Needed



5

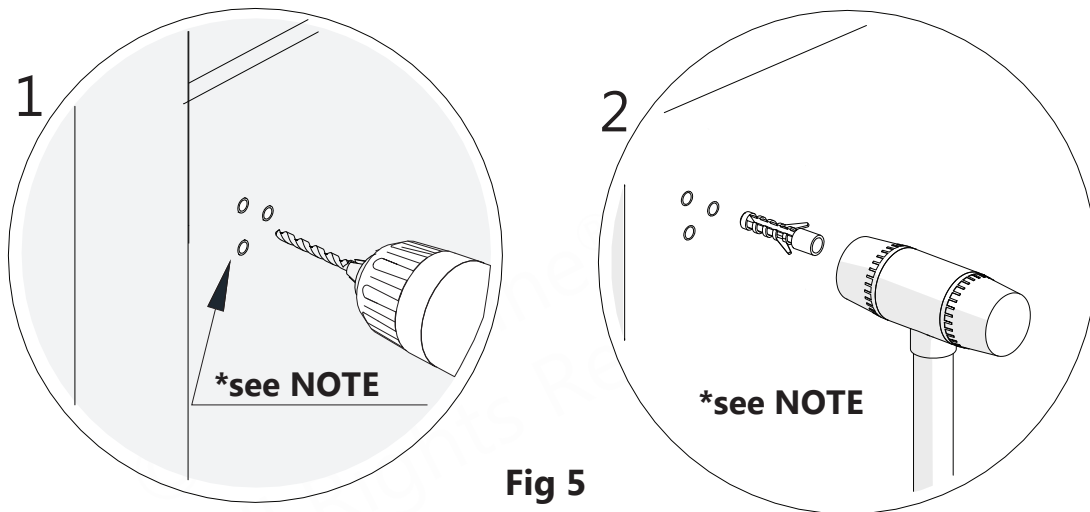
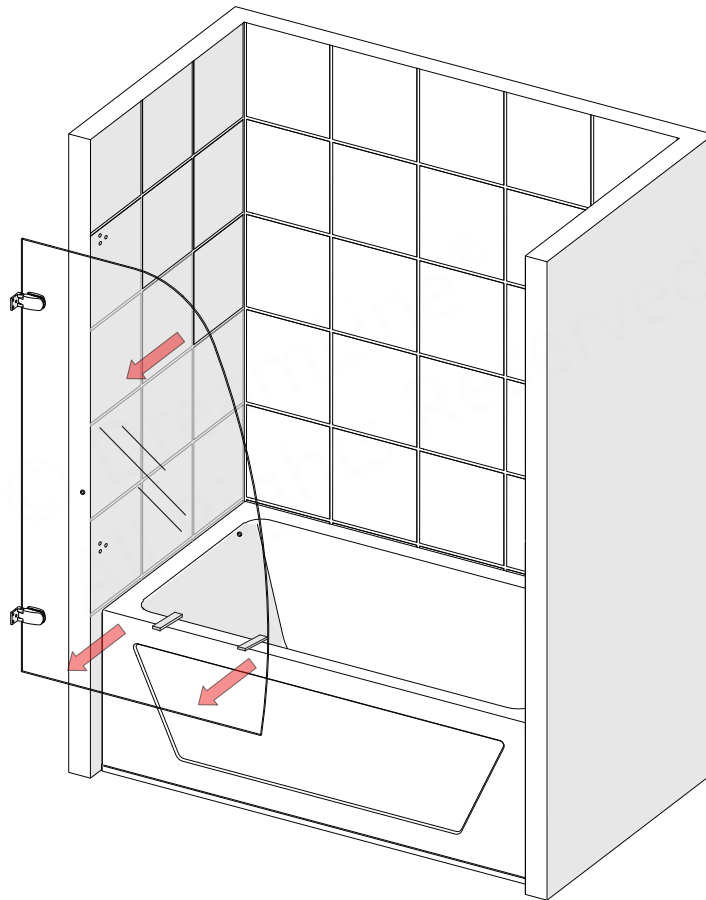


Fig 5

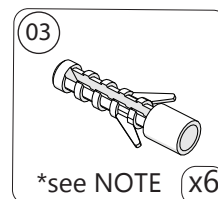
NOTE

▪ **If a stud is present behind the wall:**
 drill a $\text{Ø}3/16''$ (4.76mm) hole up to the stud, drill an $\text{Ø}1/8''$ pilot hole into the stud and use the **ST4.2 x 60mm Countersunk Screws (#04)**

OR

▪ **If no stud is present behind the wall:**
 drill a $\text{Ø}5/16''$ (8mm) hole and insert the **Wall Anchors (#06)** and use the **ST4.2 x 60mm Countersunk Screws (#04)**.

Parts Needed



Tools Needed



6

NOTE

Place the **Door Glass (#01)** back into position onto the 1/2" shims on the tub deck and secure the **Hinges (#05)** to the wall using the **ST4.2 x 60mm Countersunk Screws (#04)**. Snap the decorative covers back onto the wall plates.

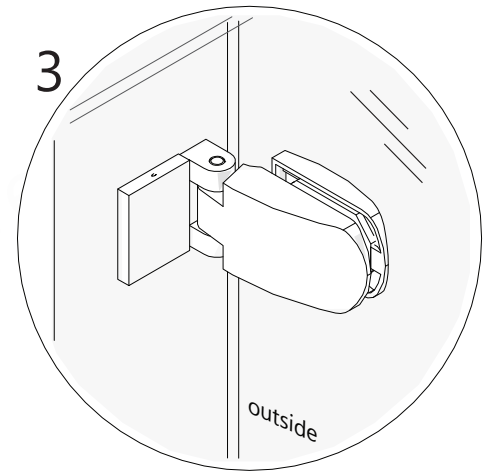
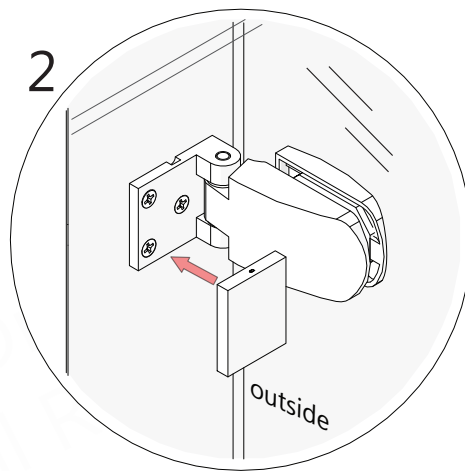
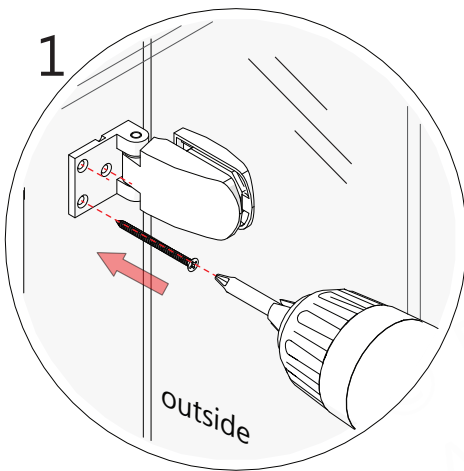
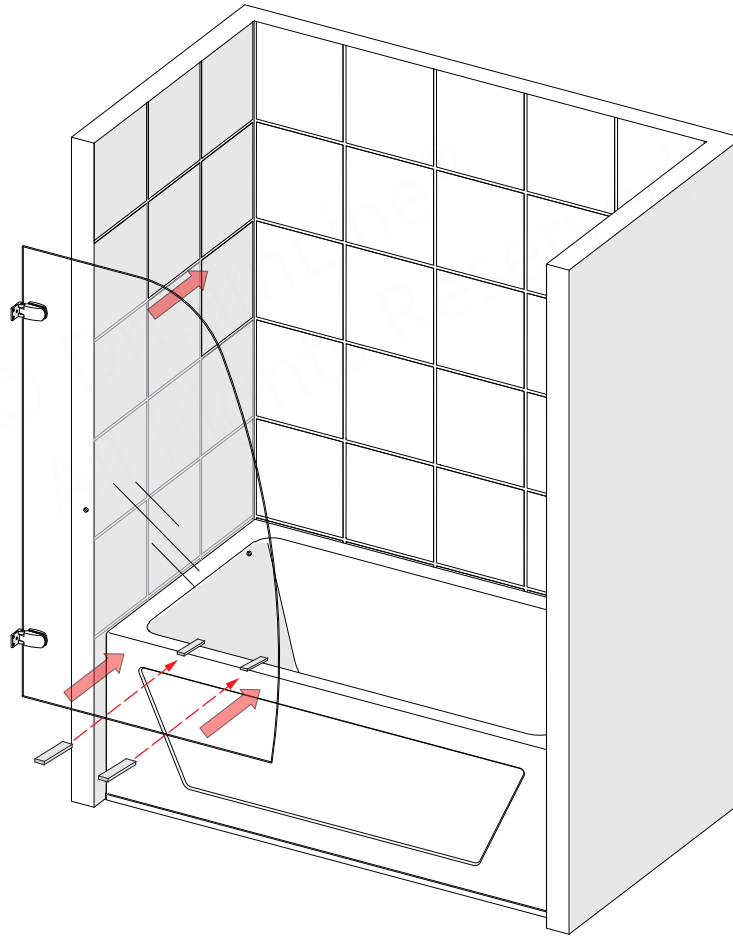
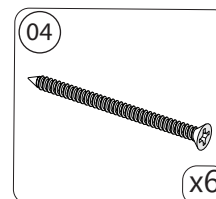


Fig 6

Parts Needed



Tools Needed



7



Remove the 1/2" shims and open the door.
Press the **Bottom Sweep Vinyl Seal (#07)** onto the bottom edge of the **Door Glass (#01)**.

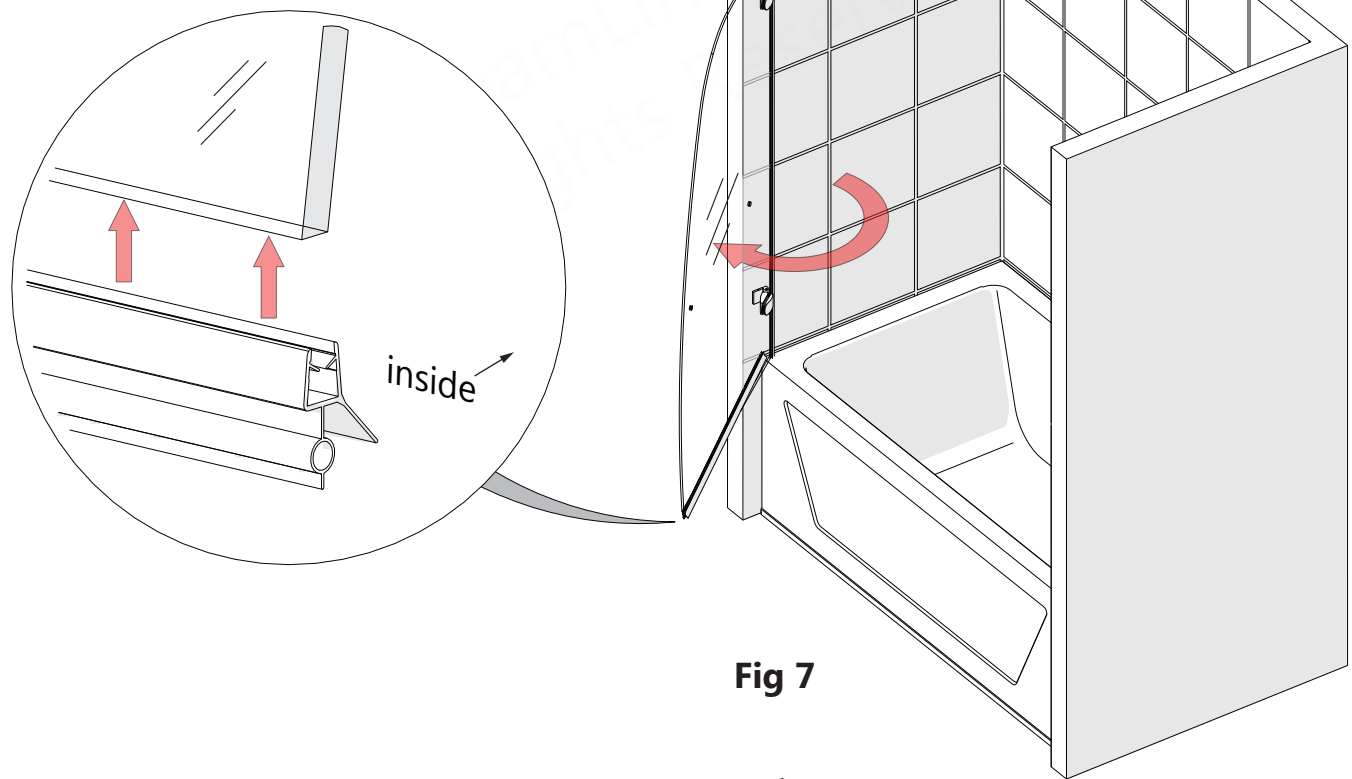
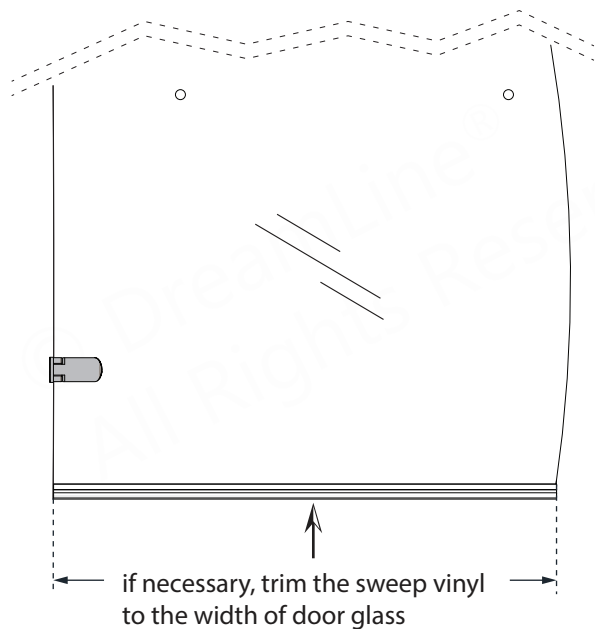
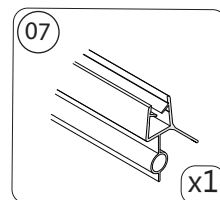


Fig 7



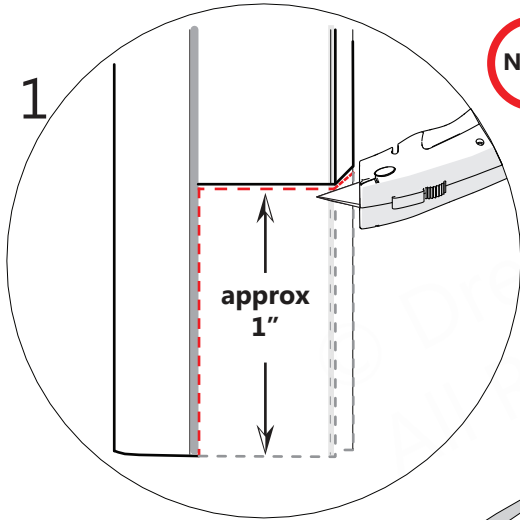
Parts Needed



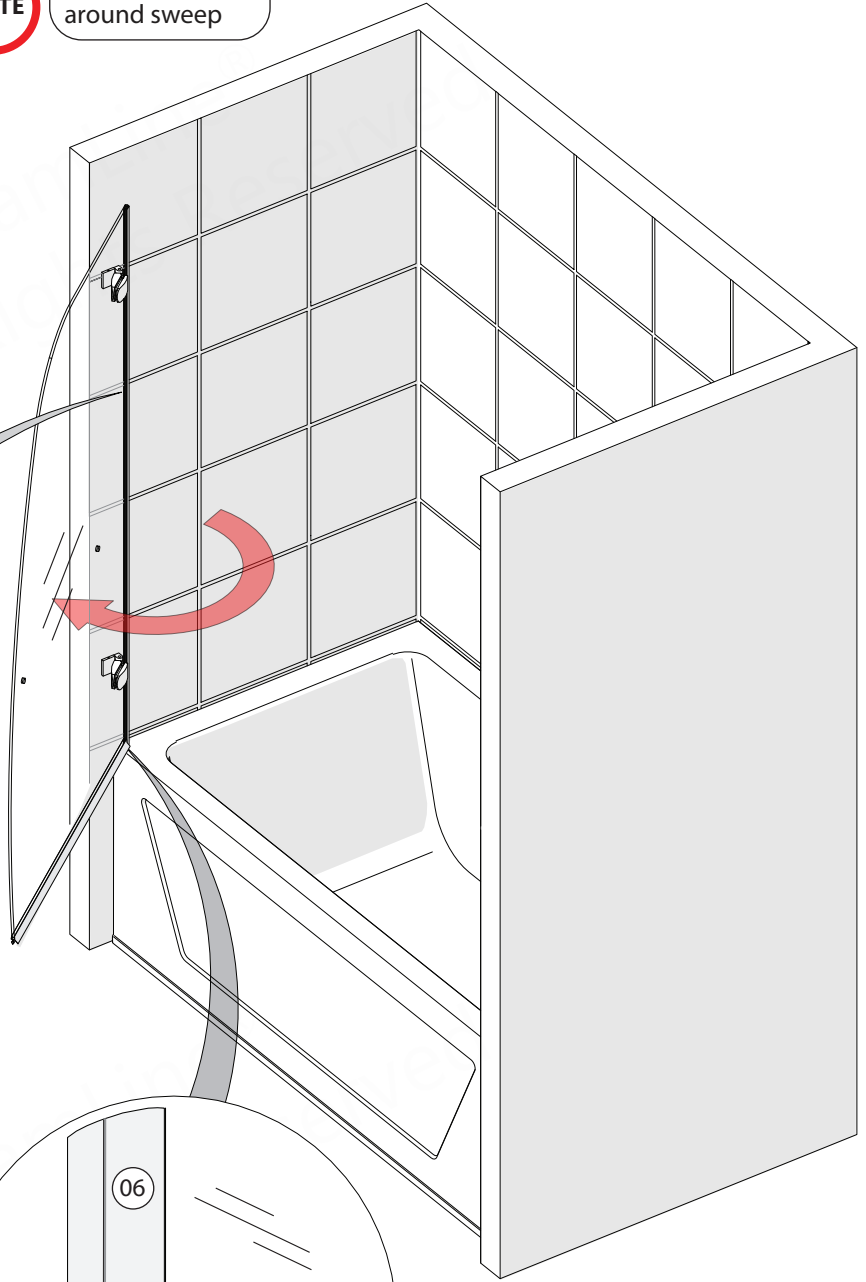
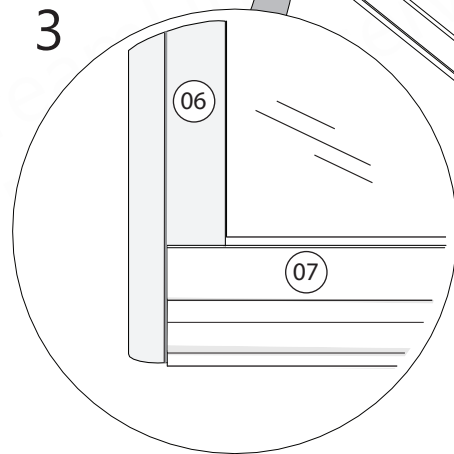
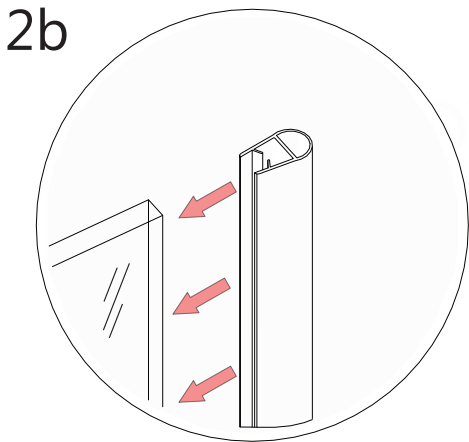
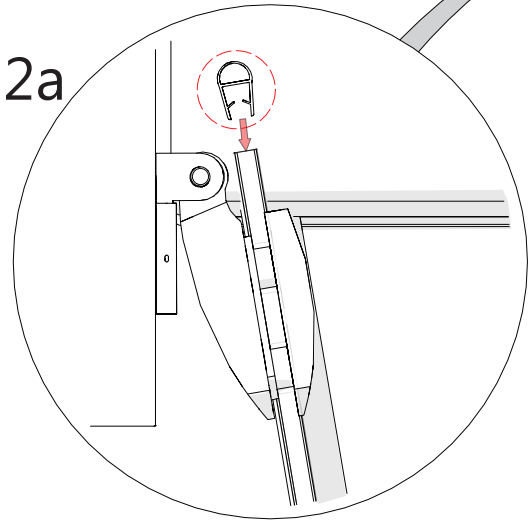
8



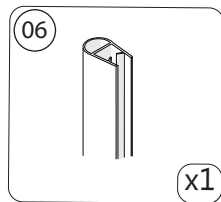
Use a razor knife to notch the **Hinge Side Vinyl Seal (#06)** to fit around the **Bottom Sweep Vinyl (#07)** as shown to prevent leakage in the corner.



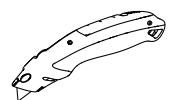
notch 1" +/- to fit around sweep



Parts Needed



Tools Needed



9



Install the **Towel Bar/ Handle (#02)** through the pre-drilled holes on the **Door Glass (#01)**. Be sure to use all of the included gaskets and sleeves to prevent glass-to-metal contact.

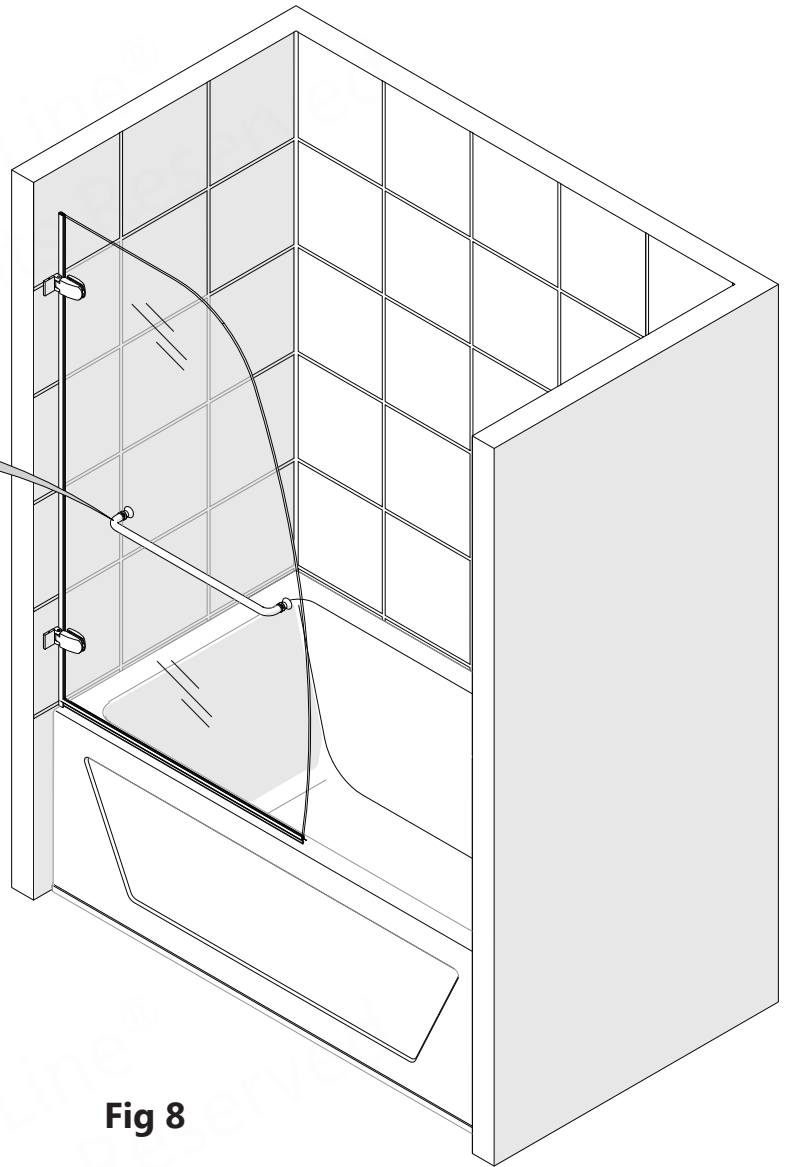
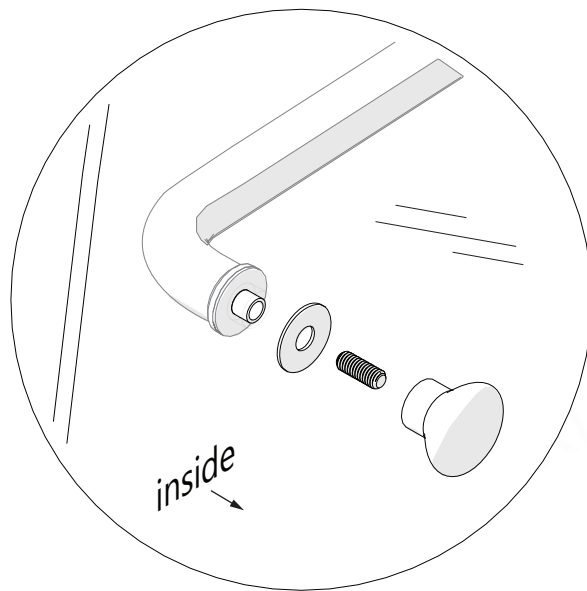
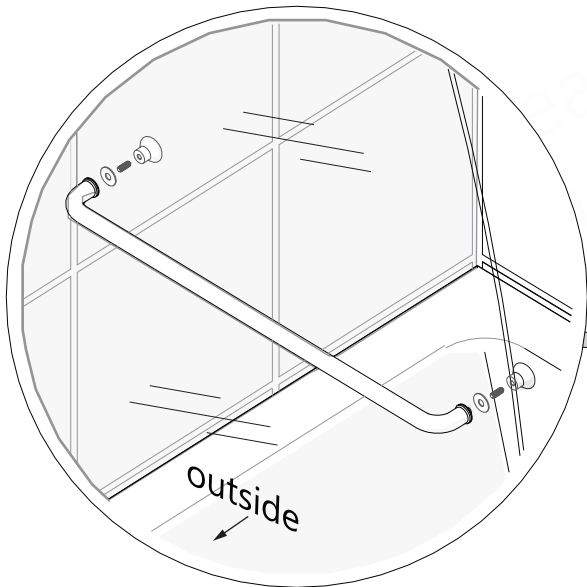
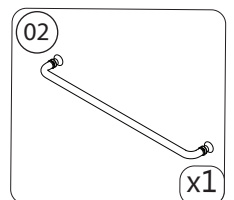


Fig 8

Parts Needed



Product Maintenance

BASES and BACKWALLS: To ensure long lasting life for your acrylic back walls: wipe them off after each use with a soft cloth. To clean the acrylic back walls use non-abrasive sprays or cream based cleaners. Avoid the use of aerosol spray cleaners. Never use abrasive cleansers, metal brushes or scrapers that could permanently scratch or dull the surface.

GLASS: To ensure long lasting life for your glass shower products: wipe them off after each use with a soft cloth. Rinse and wipe off the glass using either a soft cloth or a squeegee to prevent soap buildup and water spots (Hard water can etch the surface of the glass over time if left to dry). To prevent scratching the surface: never use abrasive cleaners or cleaning products that contain scouring agents. Never use bristle brushes or abrasive sponges that may scratch the surface of the glass.

HARDWARE: To ensure a long lasting finish: wipe off all metal parts after each use with a soft cloth. Do not use abrasive cleaners or cleaning products containing ammonia, bleach or acid. If accidentally used, rinse the surface as soon as possible to prevent damage to the finish (peeling or corrosion). After cleaning the polished finishes, rinse thoroughly and wipe dry with a soft clean cloth.

Clean stainless steel surfaces at least once a week. When applying stainless steel cleaner or polish to stainless steel hardware, work with the grain (not across the grain). Never use an abrasive sponge or cloth, steel wool or wired brush as these may permanently scratch the surfaces.



To maximize the life of your door, it is important to regularly inspect the glass and other hardware for misalignment, proper attachment, and/or damage. Contact DreamLine® with any questions or concerns.

AQUA UNO Maintenance Checklist

- Check that the unit is stable, operates smoothly and that installation is secure.
- Confirm that all screws/bolts are tight.
- Towel Bar is tightly secured to the Door Glass and that all gaskets are in place to prevent glass-to-metal contact.
- Confirm that all vinyl seals are intact (replace if missing or damaged to prevent leakage)
- Inspect exposed and concealed glass edges for damage
 - Damaged Glass Must be Replaced!**

Troubleshooting

Problem/Symptom	Suggested Solution	Page(s)
Missing Parts	<ul style="list-style-type: none"> • Check all shipping/packaging material for missing parts/components. • If not found, contact DreamLine Customer Support [1-866-731-2244] to order factory part replacement. 	—
Door Glass (#01) feels loose in the hinges; the hinges are pulling out of the wall; Door glass is not level across the top; sweep vinyl drags	<ul style="list-style-type: none"> • Remove the vinyl seals (including the sweep vinyl) from the Door Glass (#01) and place two 1/2" shims under the door glass. • Remove the decorative backplates from the Hinge Assemblies (#05). • Remove the door glass and set on a protective surface. • Remove and clean the Hinge Assembly gaskets and the area around the hinge holes or cutouts. • Using an assistant, re-install the door glass using the 1/2" shims for proper spacing. • Reinstall hinge plates and fully tighten the hinge bolts. • Reinstall the vinyl seals. 	8; 9; 12; 14
Leakage: Bottom Sweep Vinyl Seal (#07)	<ul style="list-style-type: none"> • Confirm the vinyl is tightly secured to the bottom of the Door Glass (#01). Also, confirm the distance between the bottom of the Door Glass and threshold is 1/2" (12mm). Confirm the Hinge Side Vinyl Seal (#06) is correctly notched around the Bottom Sweep Vinyl Seal (#07). • Direct the water flow away from the area 	14
Handle (#02) rattles during operation	<ul style="list-style-type: none"> • Confirm the vinyl gaskets are present and the towel bar is tightly secured to the glass. 	15



NOTE: DO NOT use the towel bar for support. The Towel Bar is NOT a grab bar.

NOTE: The Aqua Uno tub door is designed to swing out. DO NOT push the door into the tub area.



Prior to contacting DreamLine® Customer Service, please have the following information readily available:

- Purchase Order Information
 - Name, PO Number, Dealer/Vendor Name, etc.
- SKU/Model Number (see Pages XX-XX)
- Factory Part Information (see Pages XX-XX)

Factory Parts Information

AQUA UNO Tub Door		FACTORY PARTS INFORMATION	
ITEM #	FACTORY PART NUMBER	ITEM DESCRIPTION	QTY
01	010015001	Door Glass	1 pc
02	0722 1 022 / 0722 4 022	Towel Bar Handle Assembly for 6mm (1/4in) Glass	1 pc
03	07552148	Wall Anchor 8mm (5/16in)	6 pcs
04	092120	ST4.2 x 60 Countersunk Screw	6 pcs
05	0741 1 007 / 0741 4 007	Glass-to-Wall Hinge Assembly for 6mm (1/4in) Glass	2 pcs
06	063007060-1480	Bulb Vinyl Seal for 6mm (1/4in) Glass	1 pc
07	063015060-0840	Bottom Sweep Vinyl for 6mm (1/4in) Glass	1 pc
08	098001 / 098004	Allen wrenches - 2mm / 4mm	1 ea

BOLD digit indicates finish:

1 = Chrome

4 = Brushed Nickel

© DreamLine®
All Rights Reserved



TEL: 866-731-2244
FAX: 866-857-3638
DREAMLINE.COM



For more information on DreamLine® Shower Doors and Enclosures please visit **DreamLine.com**