

# ENIGMA

## SHOWER DOOR INSTALLATION INSTRUCTIONS

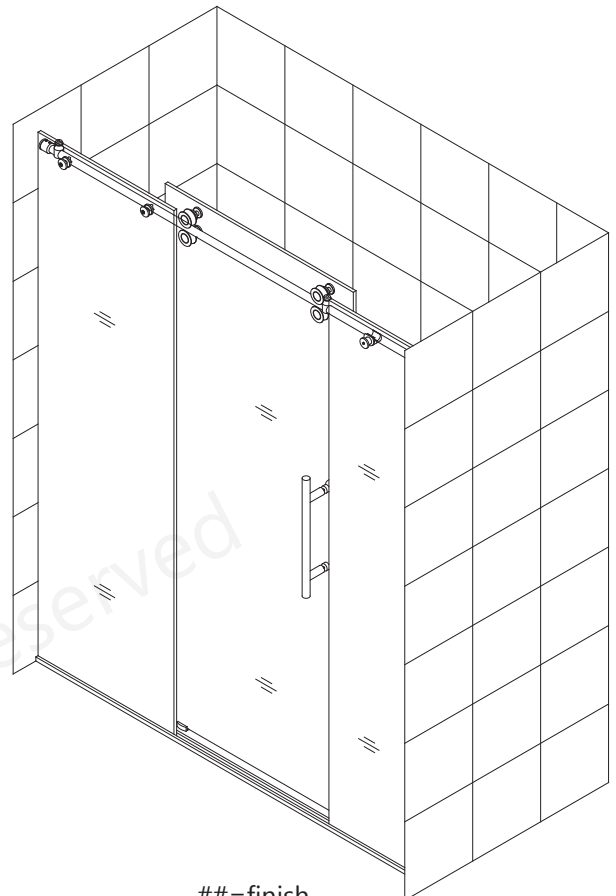
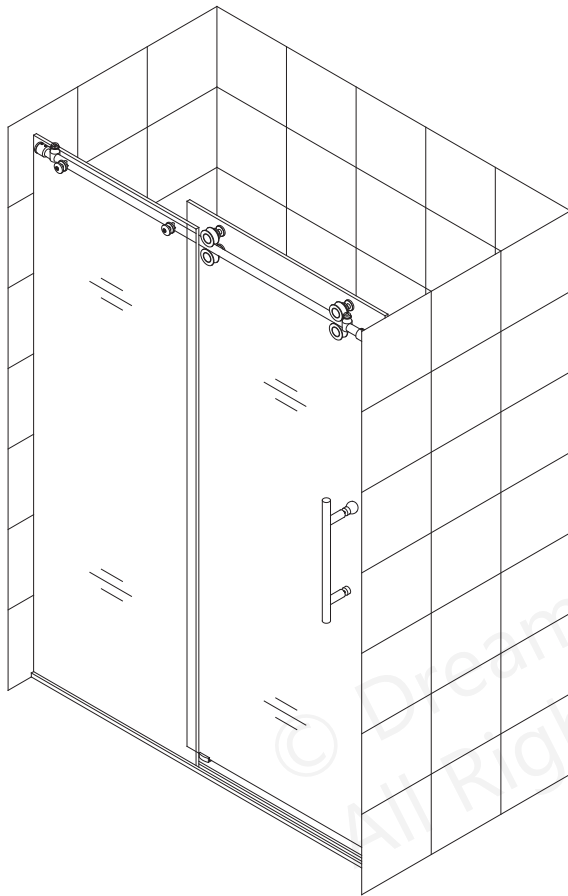
### IMPORTANT

DreamLine<sup>®</sup> reserves the right to alter, modify or redesign products at any time without prior notice. For the latest up-to-date technical drawings, manuals, warranty information or additional details please refer to your model's web page on **DreamLine.com**

<http://dreamline.com/content/technical-documentation-and-manuals>

60" model#: SHDR-60607912-##

72" model#: SHDR-60727912 -##



Right-hand door installation shown

##=finish  
07- Brushed Stainless Steel  
08- Polished Stainless Steel

**Please review this entire manual prior to installation**



### Questions?

Please Call **DreamLine** Customer Support: **1-855-831-2126**  
Hours of Operation M-F 8AM - 7PM EST and Saturday 9AM - 5PM EST

[Support@DreamLine.com](mailto:Support@DreamLine.com)



For more information about DreamLine<sup>®</sup> Shower Doors, Tub Doors & Enclosures, please visit **DreamLine.com**



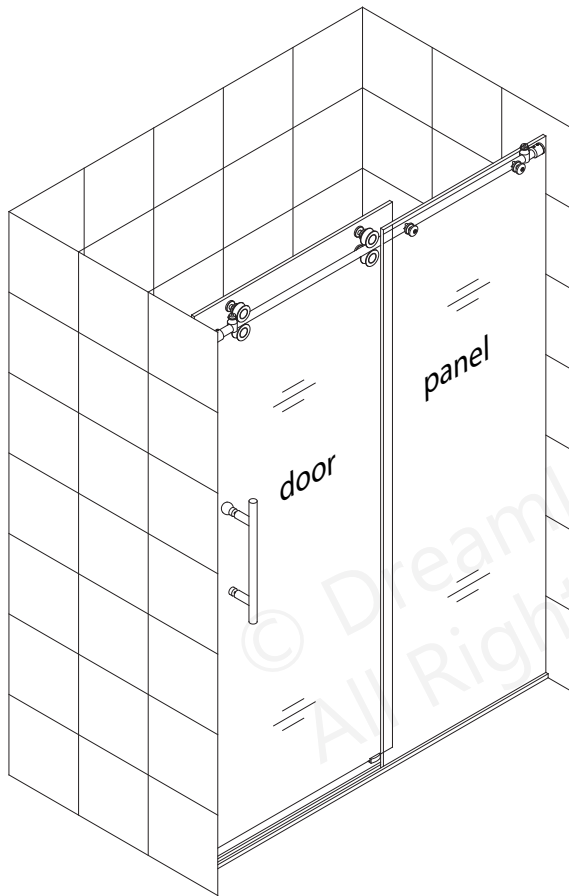
**This model is treated with DreamLine's exclusive ClearMax™ Glass technology. This is a specially formulated coating that prevents the buildup of soap and water spots.**

**Install the surface with the ClearMax™ label towards the inside of the shower. Please note that depending on the model, the glass may be coated on either one or both surfaces.**

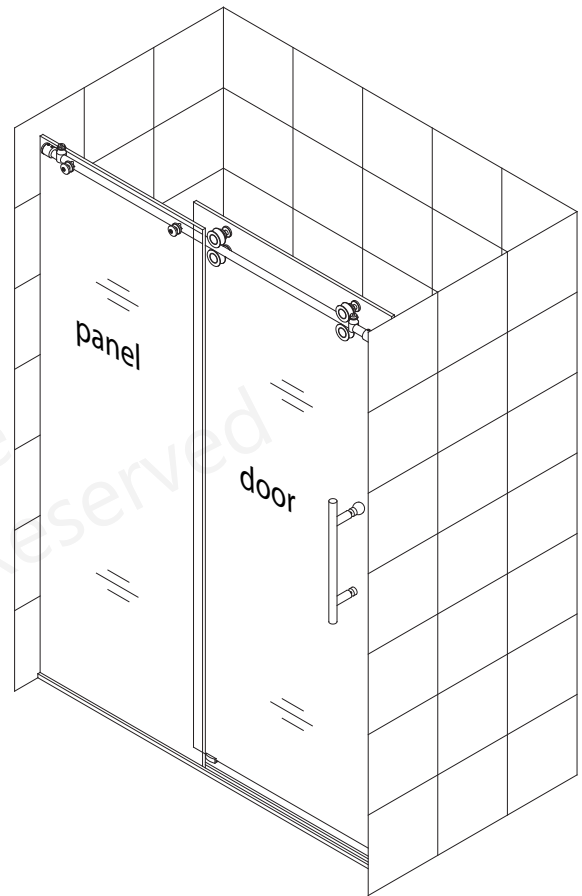
**For best results, squeegee the glass after each use and dry with a soft cloth.**

## Table of Contents

Section title	Page #
Model Information	3
Reinforcement For Enigma Series	4
Preparation	5
Tools	6
Detailed Diagram of Shower Door	7
Parts List	7
Installation Steps	8-20
Vinyl Seals	18
Enigma Roller Adjustment Procedure	21
Product Maintenance	22



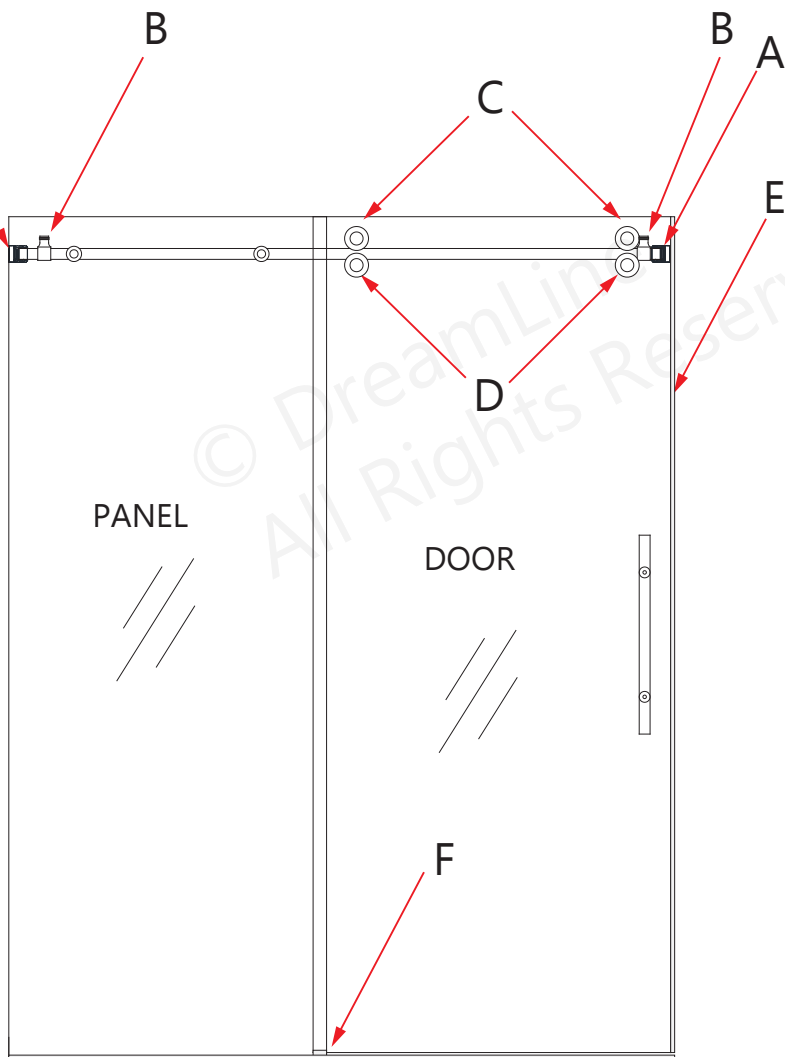
Left-hand door installation



Right-hand door installation



**NOTE:** This model is reversible for left or right-hand installation. This manual will show the right-hand door installation as an example throughout. For a left-hand door installation, simply begin on the opposite wall and reverse the orientation of the parts as necessary.



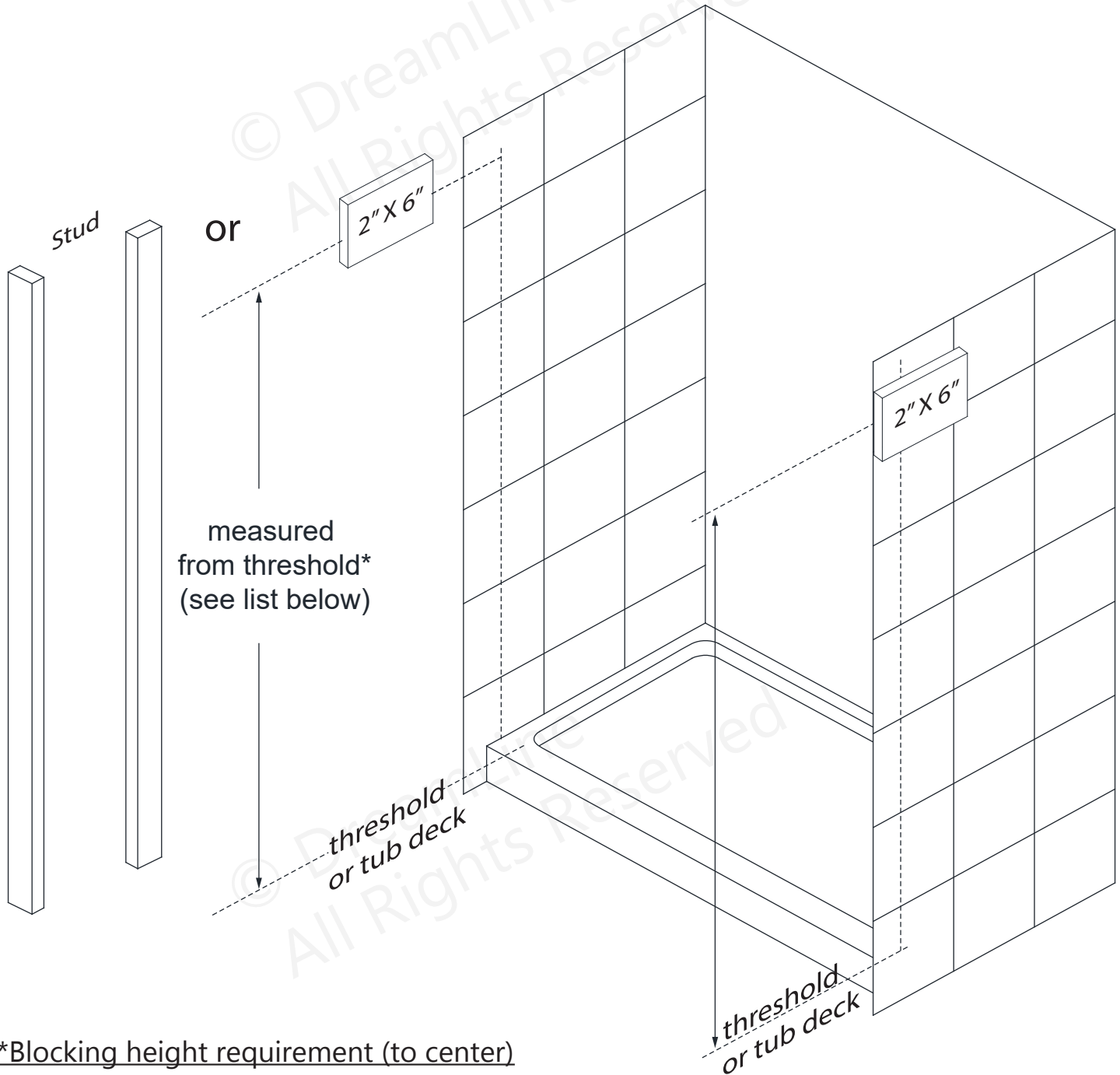
**IMPORTANT INFORMATION  
REGARDING THE INSTALLATION  
OF THIS SHOWER DOOR**

Right hand door installation shown as an example

- A** **Guide Rail Brackets** must be firmly attached to the wall. **Installation into a stud is strongly recommended.** All of the guide rail bracket set screws must be tightened.
  - B** **Thread Lock** must be applied to both stopper set screws. **Panel-side stopper** must be installed into the pre-drilled stopper hole in the upper guide rail. **Door-side stopper** must be installed at the proper position to stop the door from contacting the wall.
  - C** **Roller Wheel Safety Set Screws** must be re-tightened after installation. Apply thread lock.
  - D** **Lower Roller Wheels** must be positioned and secured making contact with the **Upper Guide Rail**. Apply thread lock to the roller bolts during installation.
  - E** **Bumper Vinyl Seal** must be installed on the closing edge of the door glass
  - F** **The Guide Block** must be screwed to the **threshold** and installed square to the door glass. Installing the guide block crooked may damage the bottom edge of the door glass and lead to breakage.
- PLEASE READ THE ENCLOSED INSTALLATION MANUAL FOR DETAILS REGARDING PROPER INSTALLATION.**  
**THE LATEST VERSION OF THE INSTALLATION MANUAL IS AVAILABLE TO VIEW OR PRINT ON DREAMLINE.COM**

# Reinforcement for Enigma Series Heavy Glass frameless sliding shower door

Install studs OR install 2"x 6" wood blocking between the studs where the  
Guide Rail Brackets will attach to the wall



\*Blocking height requirement (to center)  
as measured from threshold or tub deck:

Enigma Air/Sky = 73" for shower ht / 59" for tub ht

Enigma-X /XO = 72-1/2" for shower ht / 58-1/2" for tub ht

Enigma-Z = 73-1/2" for shower ht / 59-1/2" for tub ht

**Enigma = 75-1/2" for shower ht only**

## Preparation

1. Prior to installation, examine all boxes and packages for shipping damage and compare the piece count with the packing slip. After opening all boxes and packages read this introduction carefully. Check that all of the necessary parts are included in the package by checking off the components on the "Detailed Diagram of Shower Door Components". If the unit has been damaged, has a finishing defect, or has missing parts, please contact our customer support department within **3 business days** of the delivery date. **Please note that DreamLine® will not replace any damaged products or missing parts free of charge after 3 business days or if the product has been installed.** Contact DreamLine® if you have any questions, and please provide an order number, job name or other proof of purchase to help identify the original order.
2. **Please note that you should consult your local building codes with questions on installation compliance standards. Building and plumbing codes may vary by location, and DreamLine® is not responsible for code compliance standards for your project and will not accept any returns.**
3. If this unit is going to be installed in a new construction, please install all of the required plumbing and drainage before installing the shower. Use a competent and licensed (if required by local code) plumber for all plumbing installation
4. Make sure that prior to beginning the installation, the surfaces are leveled and solid and will be able to support the total weight of the unit. Also make sure the walls are at right angles. Irregular installation surface level, radius corners or improper angle of side walls will result in serious problems for your installation. Note that some adjustments and drilling will be necessary during the installation process.
5. Protect all primary surfaces of the product during installation. Never set the glass down directly onto a tile floor. Leave corner protectors in place until necessary to remove them. Always use a piece of wood or cardboard to protect the bottom edge and corners of the glass prior to and during installation.
6. **This unit must be installed upon a finished threshold and against finished walls.**
7. **This door does not have out-of-plumb adjustment. Make sure the walls are plumb before proceeding with the installation.**
8. **This door requires a minimum of 3-3/4" of flat, level threshold space for installation.**
9. **Note that Step #9 calls for installation of the Guide Rail Brackets to the wall using anchors. However, the manufacturer strongly recommends installing these heavy doors to studs or to preinstalled 2" x 6" wood reinforcements behind the wall and attaching the Wall brackets into that reinforcement.**
10. For the **60"** model: refer to **Diagram A** with **Part List A**.  
For the **72"** model: refer to both **Diagram A** and **B** with **Part List A** and **B** to complete the installation.
11. **Note: The installation of this unit requires that you drill down into the threshold. Contact the manufacturer of the base or threshold material with any questions regarding the drilling of holes into their product.**
12. **Attention: This door is extremely heavy and requires professional installation with 2 installers.**



**This model is Not intended for installation onto an acrylic base.  
To prevent serious injury, do not lean against the installed panel glass.**

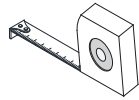


**NOTE: DO NOT** attach the handle to the door glass until instructed.  
**DO NOT** use the handle to lift the glass during installation. This may result in damage to the glass and/or serious injury. Always use an assistant or a professional grade glass suction cup when handling heavy glass.

# Tools



Level



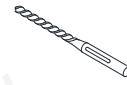
Tape Measure



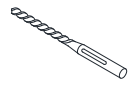
Pencil



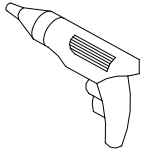
Phillips Screwdriver



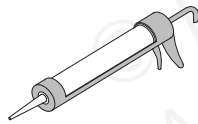
Drill bit  
Ø5/16"(8mm)



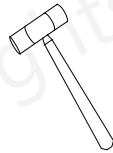
Drill bit  
Ø3/8"(10mm)



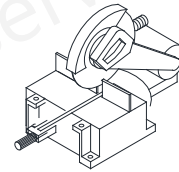
Power Drill



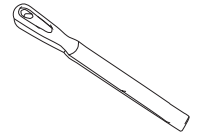
100% Silicone



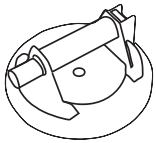
Hammer



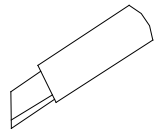
Chop saw and Hacksaw



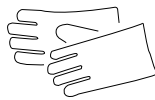
Metal File



Professional-grade  
Glass suction cup



Razor Knife



Work Gloves



Safety glasses



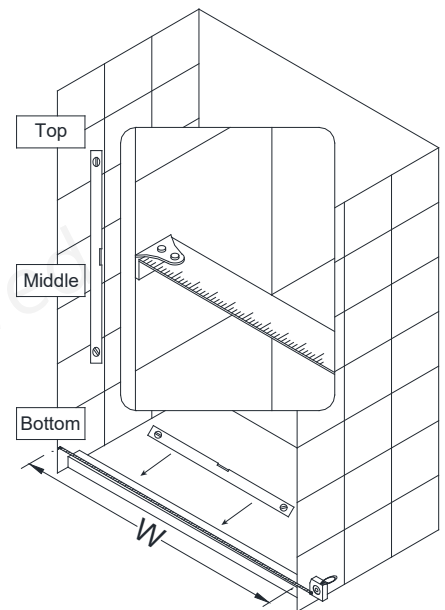
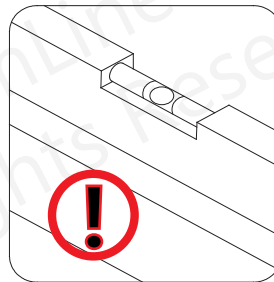
#3 Phillips  
driver bit

**Tip:** Measure the finished opening before proceeding with the installation to be sure that the correct model size has been ordered.

**Tip:** Prior to installation, cover the shower/tub drain with tape to prevent losing screws or small parts.

**Tip:** Set screw gun clutch to low setting when installing screws and bolts to prevent stripping the heads.

Threshold must be level.



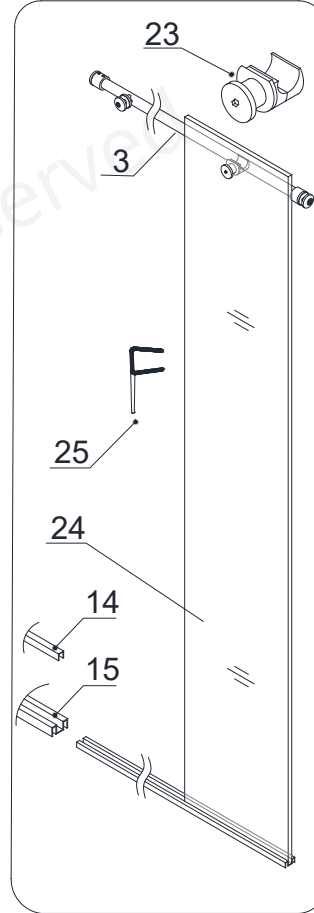
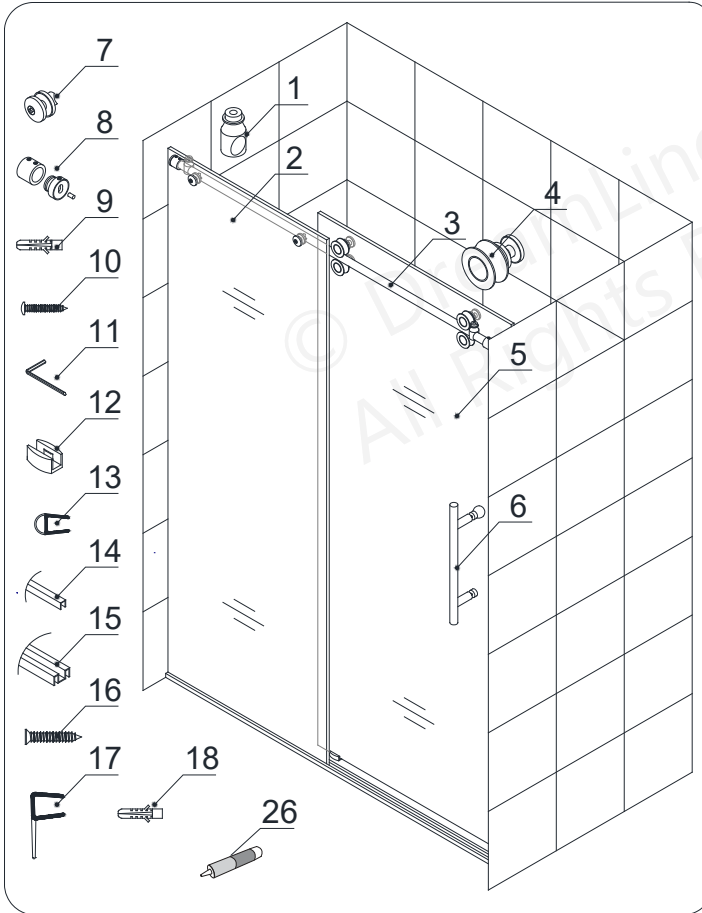
**NOTE:** Unpack your unit carefully and inspect it. Lay it out and identify all parts using the detailed diagram and packing list in this manual as a reference. Before discarding the carton, check for small hardware bags that may have fallen to the bottom of the box. If any parts are damaged or missing, please contact DreamLine® for replacement. The shipping boxes may contain extra parts not used in your model configuration.

**NOTE:** Retain these installation instructions for future reference.

# Detailed Diagram of shower door components

**PARTS LIST A (60")**

**PARTS LIST B (FOR 72")**



**CLEARMAX™**  
 The glass surface with the ClearMax™ label must be installed to face inside of the shower

## Parts List

### Part List A (for 60" model)

Part#	Description	Qty	Part#	Description	Qty
01	Door Stopper	2 pcs	11	Allen Wrench 3mm/4mm/5mm	1 set
02	Stationary Panel Glass	1 pc	12	Guide Block	1 pc
03	Upper Guide Rail for 60"	1 pc	13	Bulb Vinyl Seal**	1 pc
04	Roller	4 pcs	14	Bottom Channel cover for 60"	1 pc
05	Door Glass	1 pc	15	Bottom Channel for 60"	1 pc
06	Handle	1 pc	16	ST4.2 x 30 Countersunk screw	4 pcs
07	Glass Bracket	2 pcs	17	Anti-water Strip	2 pcs
08	Guide Rail Bracket	2 pcs	18	Ø5/16" Wall Anchor	7 pcs
09	Ø3/8" Wall Anchor	2 pcs	26	Thread Lock	1 pcs
10	ST6 x 65 Truss Head Screw	2 pcs			

### Part List B (for 72" model)

23	Small Stationary Glass Bracket	1 pc	03	Upper Guide Rail for 72"	1 pc
24	Small Stationary Glass	1 pc	14	Bottom Channel cover for 72"	1 pc
25	Anti-water Strip	1 pc	15	Bottom Channel for 72"	1 pc

\*\* not used with the 72" model

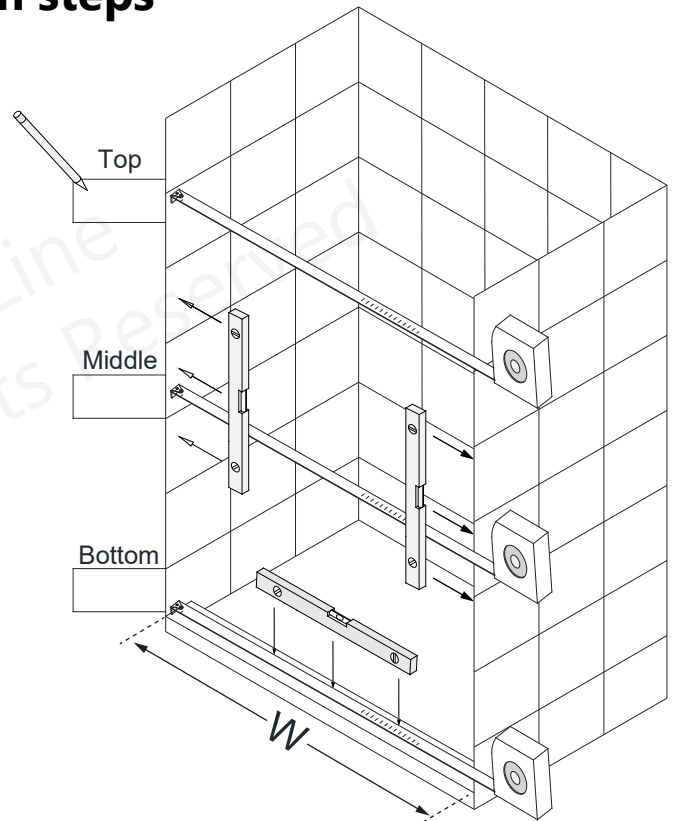
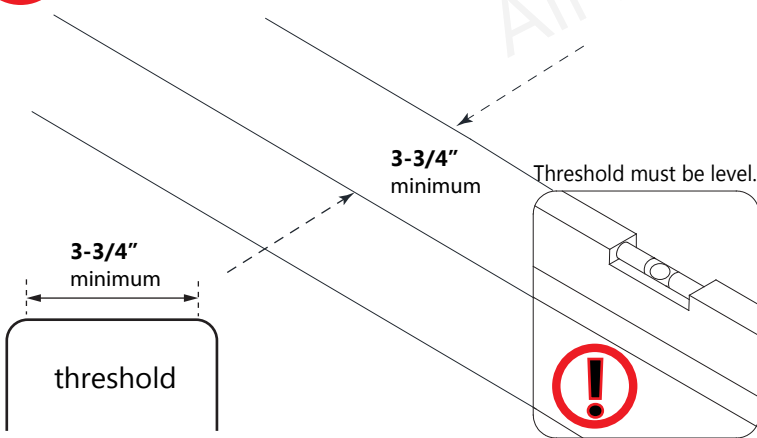


# Installation steps

**1.** Check the threshold for level and the walls for plumb. Measure the distance between the two finished walls at the bottom, middle and top. Measure the top width at a height of (75-1/2"). Record the dimensions in the spaces provided. This top measurement will be the **(W)** dimension used to cut the guide rail to the correct size for the finished opening in the next step.

**(Fig 1)**

**!** **Note:** The minimum threshold requirement for the ENIGMA is **3-3/4" of flat threshold space.**



**Fig 1**

**2.** The **Upper Guide Rail (#03)** has been pre-cut for the model width of: 60" or 72". **(Note: The actual rail is 1-3/4" shorter than the model width to accommodate the Guide Rail Brackets).**

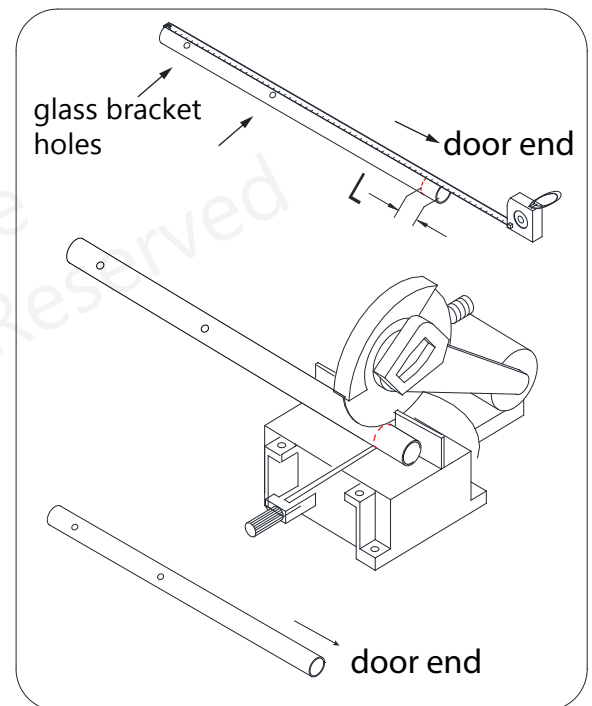
Cut the **Upper Guide Rail (#03)** from the door end only, which is the end that is farther from the **Glass Bracket (#07)** holes. **(Fig 2)**

The length to cut off will be **(L)** :  
**Model Width – finished opening W = cut off length (L)**

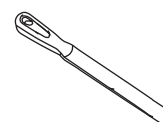
**\*FOR EXAMPLE:**

If the model width is 60" and the finished opening is 58", then you will need to cut 2" off from the door end of the Guide Rail: **Example:** 60" – 58" = 2" cut off

**\*Note that this is only an example and the actual cut-off length will vary based on the actual finished opening dimension.**



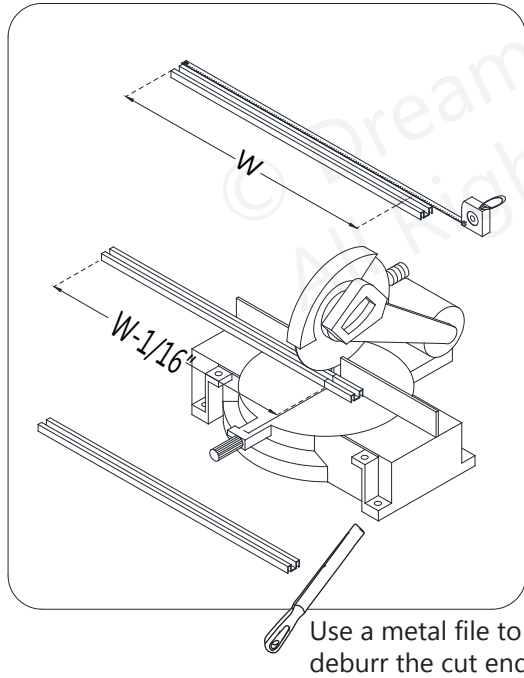
**Fig 2**



Use a metal file to deburr the cut end

**3.** The **Bottom Channel (#15)** has been pre-cut for the model width of: **60" or 72"**.

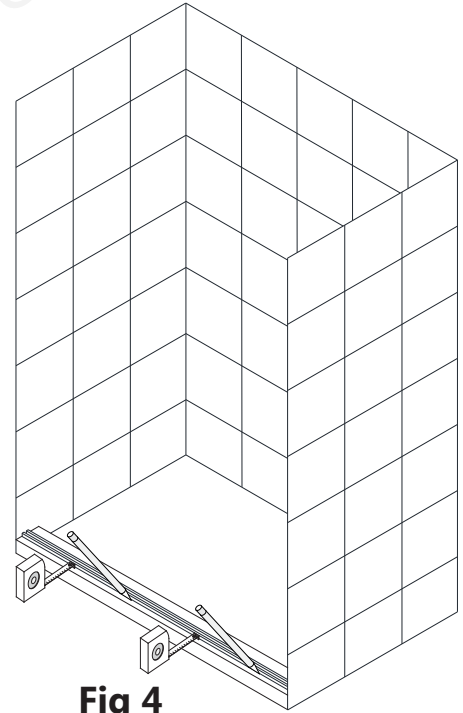
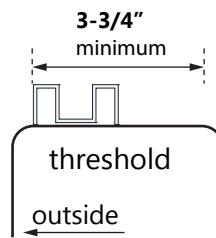
Cut the **Bottom Channel (#15)** to:  
**Bottom (W) measurement - 1/16"**.  
**(Fig 3)**



**Fig 3**



**4.** Place the **Bottom Channel (#15)** parallel to the outside edge of the threshold and mark the position.  
**(Fig 4)**  
(Make sure to allow enough threshold space for the installation of the Bottom Guide Bracket in Step #14)



**Fig 4**

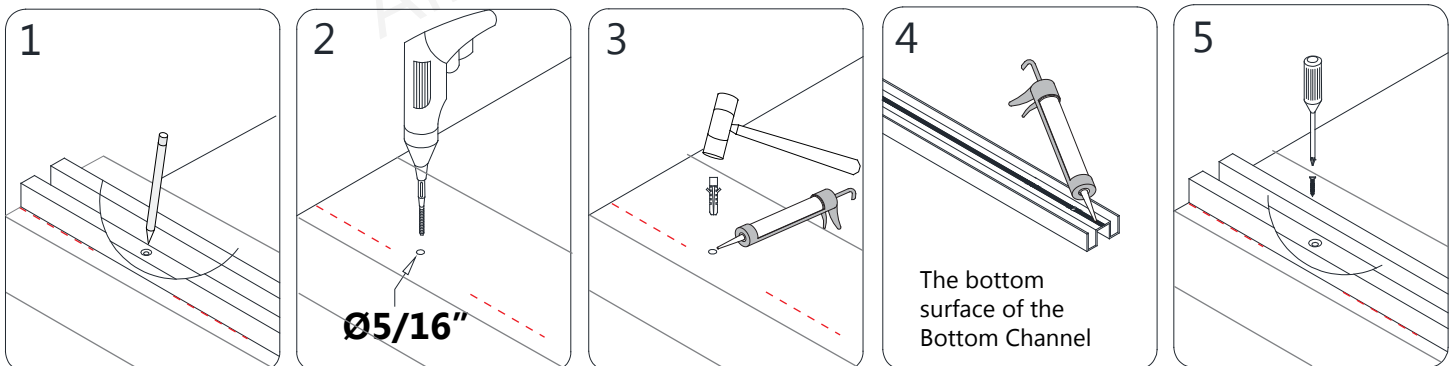
**5.** Mark the holes for drilling into the threshold through the predrilled holes in the **Bottom Channel (#15)**. **(Fig 5.1)**

Remove the **Bottom Channel (#15)** and drill the holes into the threshold using a **Ø5/16"** drill bit and insert the **Ø5/16"** **Wall Anchors (#18)**.

Apply silicone to the bottom of the **Bottom Channel (#15)** and around the holes in the threshold. Place the **Bottom Channel (#15)** back to the marked position on the threshold and fasten it to the threshold using the **Countersunk Screws ST4.2x30 (#16)**. **(Fig 5)**

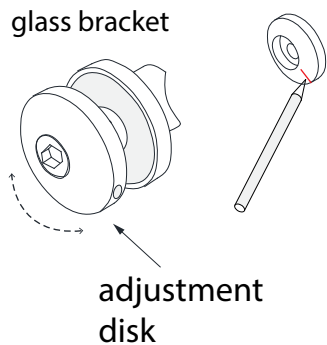


Make certain that the screws are fully countersunk to prevent contact with the glass.



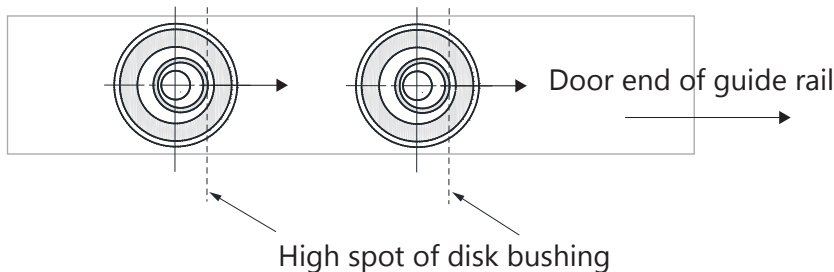
**Fig 5**

**6a.** Attach the **Upper Guide Rail (#03)** to the **Stationary Panel Glass (#02)** with the **Glass Brackets (#07)** and tighten the bolts into the holes in the **Upper Guide Rail (#03)**. Make sure both adjustment disks are installed in the same direction with the high spot towards the door end. **(see \*Note below)**  
Make sure that the guide rail is attached parallel with the top edge of the stationary panel glass.



**TIP:** Find the high spot and mark the location on the outer surface of the adjustment disk with a felt tip pen to make adjustments easier to see.

**\*NOTE:** The outer glass bracket disk has an eccentric bushing for adjustment. Be sure to install both glass bracket disks with the high spot of the bushing pointed towards the door end of the guide rail.



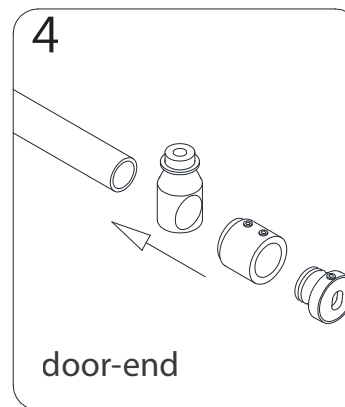
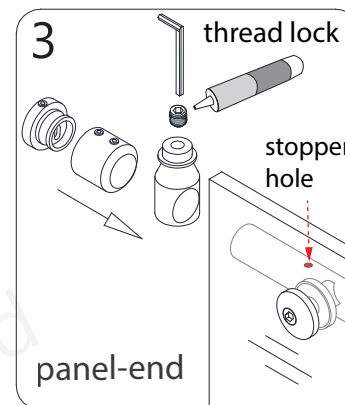
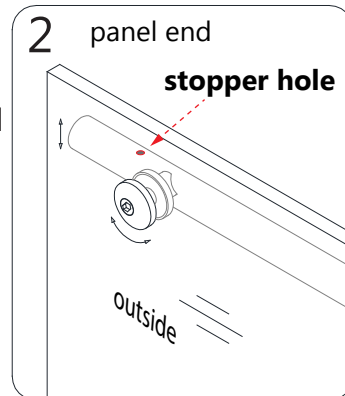
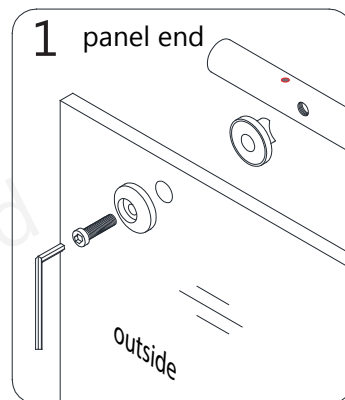
**6b.** Slide the **Door Stoppers (#01)** onto each end of the **Upper Guide Rail (#03)**. Secure them using the **4mm Allen Wrench (#11)**. **Remove the set screw from the panel-end stopper and apply Thread Lock (#26).** Install the panel-end stopper into the pre-drilled stopper hole in the Upper Guide Rail. (Fig 6.3)

**For the 60" model:** Temporarily install the door-end stopper approximately 4" from the end of the guide rail.

**For the 72" model:** Temporarily install the door end stopper approximately 15" from the end of the guide rail.

**The door-end stopper position will be adjusted after the door glass is installed and thread lock will be applied at that time.**

**6c.** Slide the **Guide Rail Brackets (#08)** onto each end of the **Upper Guide Rail (#03)** and secure them. (Fig 6 and Fig 7a/7b)



**Fig 6**

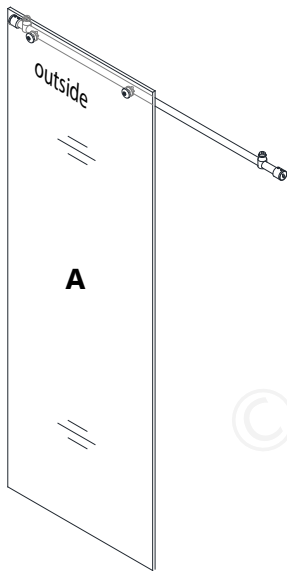


**TIP:** Do not leave the stoppers or guide rail brackets loose on the guide rail during the assembly process as they could slide off the guide rail and cause damage or injury.

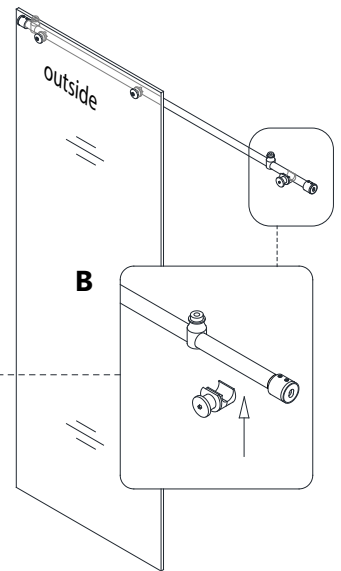
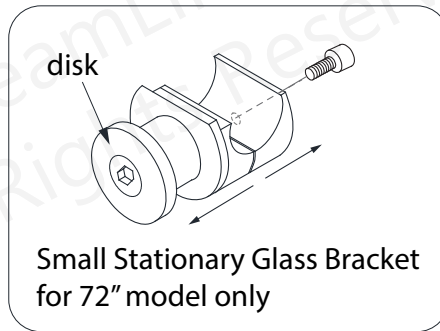
**7. For the 72" model:**

Attach the **Small Stationary Glass Bracket (#23)** to the **Upper Guide Rail (#03)** between the **Door Stopper (#01)** and the **Guide Rail Brackets (#08)** as shown in **Fig 7b**.

Right-hand door installation shown as an example



**Fig 7a**



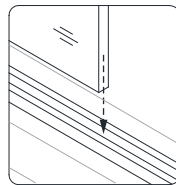
**Fig 7b**



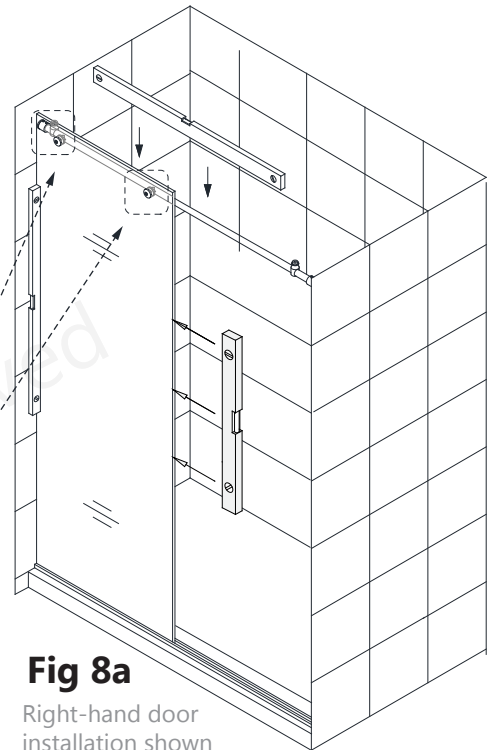
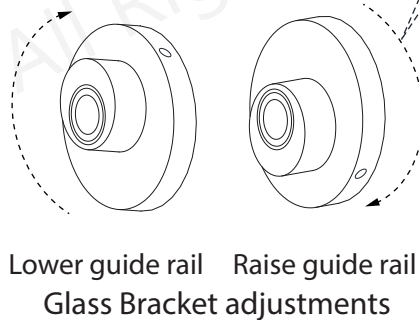
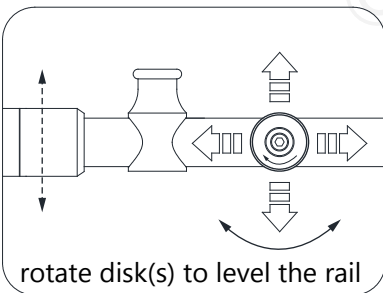
The next steps will describe dry-fitting the stationary panel glass with the attached guide rail to properly locate and mark the position of the guide rail brackets. **Do Not** add silicone into the bottom channel at this point.



Verify that all of the screws are properly countersunk into the bottom channel before setting the glass in place to prevent damage.

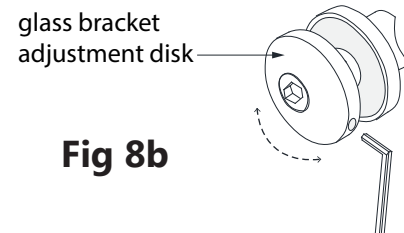


**8.** Carefully place the **Stationary Panel Glass (#02)** (with the attached **Upper Guide Rail (#03)**) into the **Bottom Channel (#15)** and position it against the wall. Make sure the **Stationary Panel Glass (#02)** and the **Upper Guide Rail (#03)** are level. Use the **Glass Brackets (#07)** to adjust the **Upper Guide Rail** to level. (**Fig 8a and Fig 8b**)



**Fig 8a**

Right-hand door installation shown as an example



**Fig 8b**

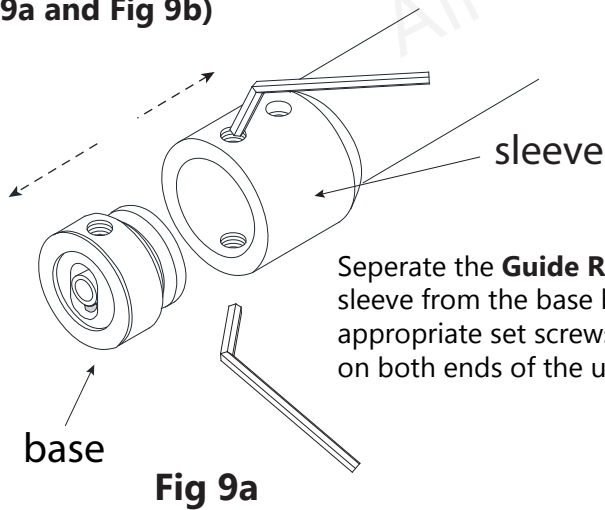


**TIP:** Loosen the bolt on the glass bracket. Use a small allen wrench to assist with rotating the adjustment disk to level the guide rail.

**9.** Once the guide rail is level, outline the positions of the **Guide Rail Brackets (#08)** on the wall. Carefully set the **Stationary Panel Glass (#02)** and **Upper Guide Rail (#03)** aside.

Remove the **Guide Rail Brackets (#08)** from the **Upper Guide Rail (#03)** (See Fig 9a), then place the bracket base of the **Guide Rail Brackets (#08)** to the outlined positions on the wall and mark the holes for drilling. **\*\*Drill the holes using a  $\text{\O}3/8''$  drill bit. (\*\*see important note below)**

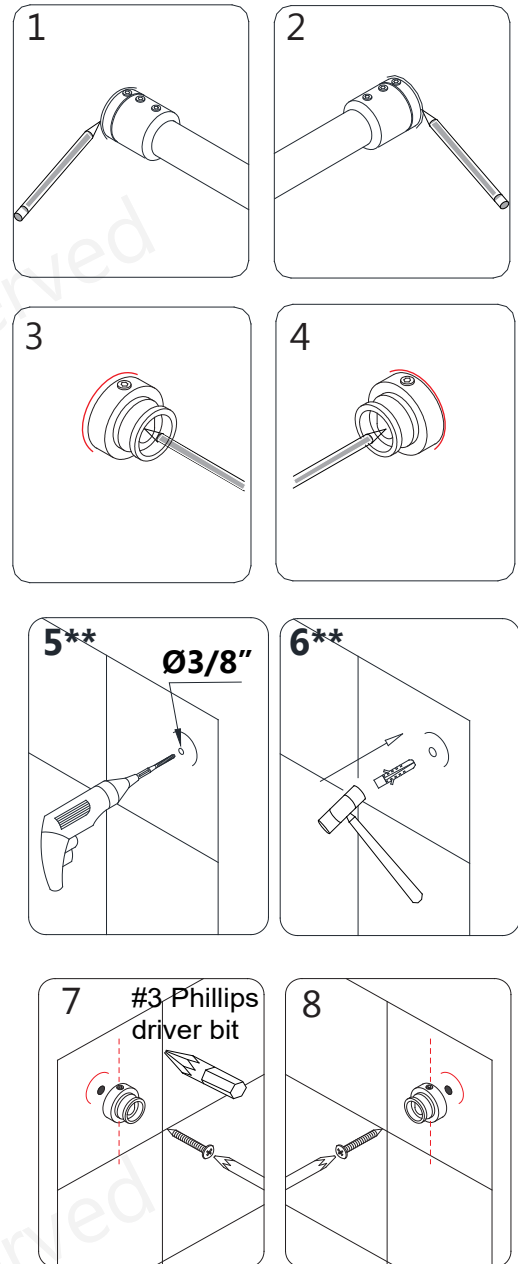
Insert the **\*\*Wall Anchors  $\text{\O}3/8$  (#09)**. Use a #3 Phillips driver bit to mount the bracket bases of the **Guide Rail Brackets (#08)** onto the wall using the **Large Truss Head Screws ST6x65 (#10)**. (Fig 9a and Fig 9b)



Separate the **Guide Rail Bracket (#08)** sleeve from the base by loosening the appropriate set screws (leave the sleeves on both ends of the upper guide rail)



**Note:** Install the guide rail brackets with the set screws at the 12 and 6 o'clock position for easier access for vertical adjustment.



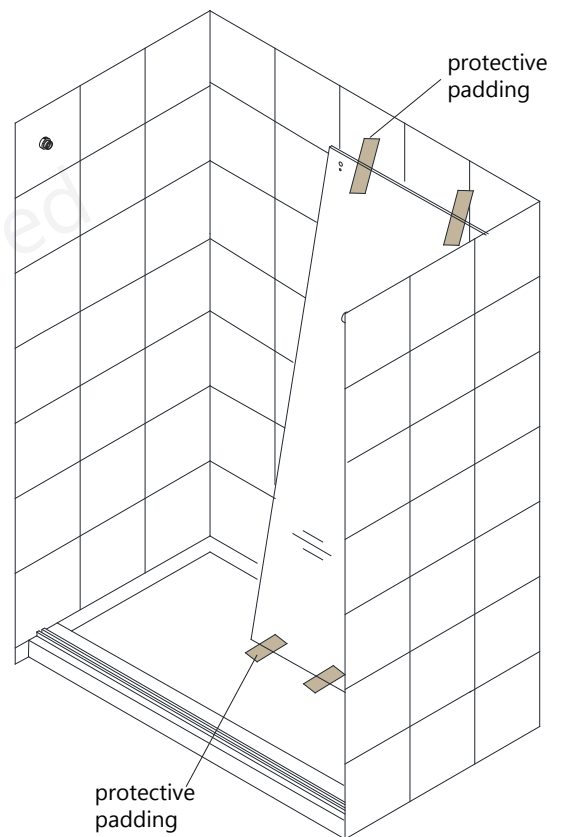
**\*\*NOTE:** The manufacturer strongly recommends installing these guide rail brackets into studs or preinstalled 2"x 6" wood reinforcements behind the wall.

**For installation into a stud, drill a 1/4" hole up to the stud, drill an 1/8" pilot hole into the stud and let the screw bore into the wood.**



**NOTE: Before you install the Stationary Panel Glass (#02), place the Door Glass (#05) inside of the shower area, handed in the proper direction for installation, and carefully lean it against the wall. Use padding to protect the glass and shower surfaces.**

Once the **Stationary Panel Glass (#02)** is installed, it may not be possible to take the door glass into the shower.

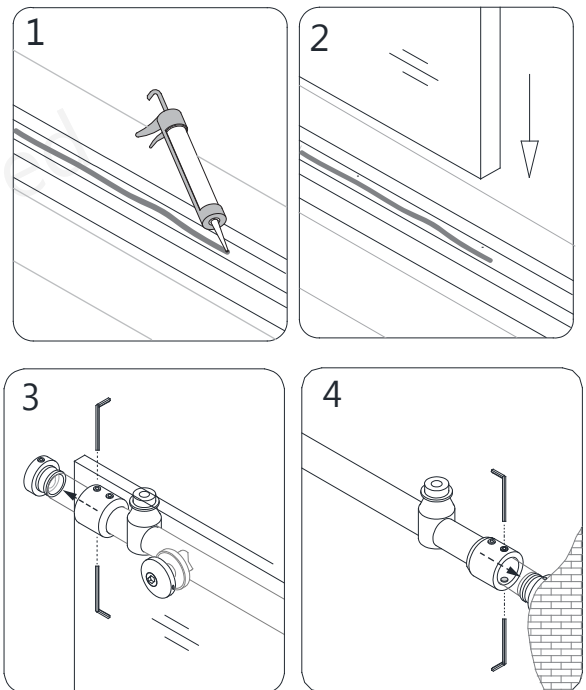


**10.** Apply waterproof silicone into the **Bottom Channel (#15)** where the **Stationary Panel Glass (#02)** will be installed. Use enough silicone so that the glass will distribute the silicone evenly to secure and seal the glass into the channel.

Place the **Stationary Panel Glass (#02)** into the **Bottom Channel (#15)**. Slide both **Guide Rail Bracket (#08)** sleeves back onto the installed bracket bases. Tighten the set screws to secure the **Upper Guide Rail (#03)**.

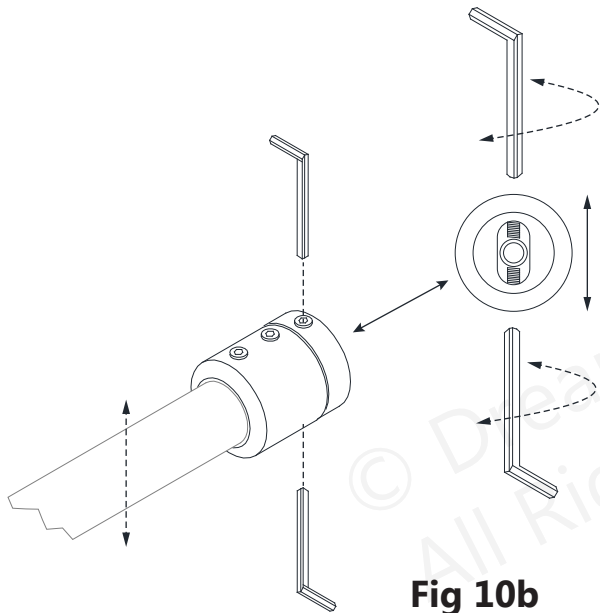
(Fig 10a.3 and Fig 10a.4)

(Fig 10a and Fig 10b)



**Fig 10a**





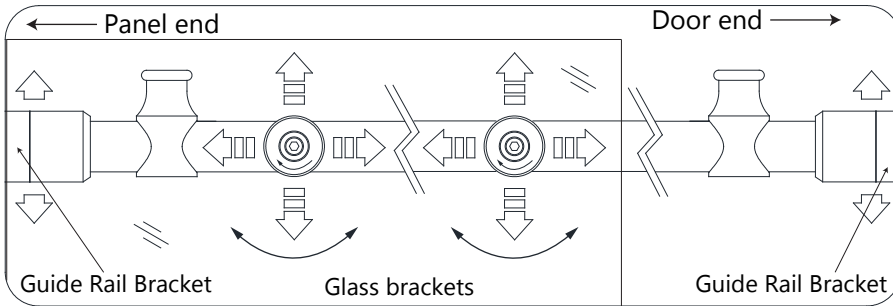
**Fig 10b**



**NOTE:** Use the **Guide Rail Bracket (#08)** set screws to adjust the **Upper Guide Rail (#03)** to level.

To **lower** the rail:  
Loosen the top set screw and tighten the bottom set screw.

To **raise** the rail:  
Loosen the bottom set screw and tighten the top set screw.



(Right-hand door installation shown as example)



**TIP:** Adjust the installed **Upper Guide Rail (#03)** to level as necessary using the **Guide Rail Brackets (#08)** first and then the **Glass Brackets (#07)**. Start adjustments from the door end.



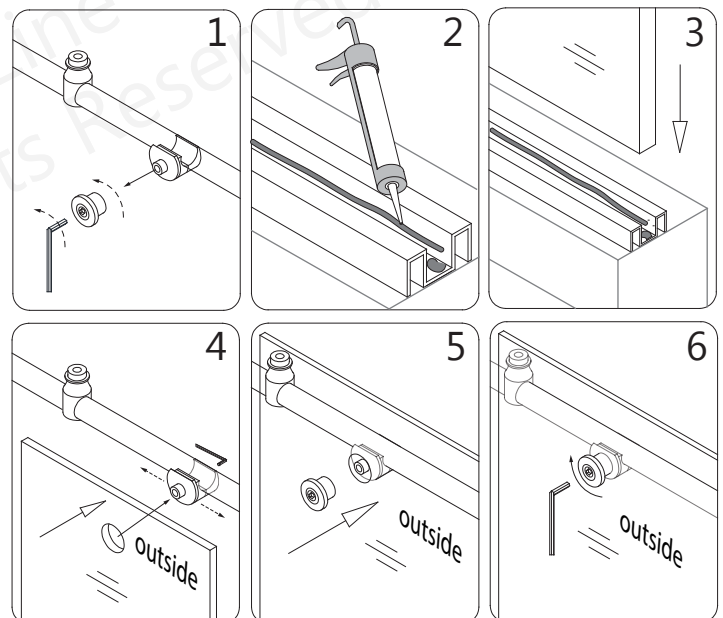
**ATTENTION:**

This Step shows the installation of the **Small Stationary Glass (#24)** for the **72" model only** (this additional panel is not included with the 60" model).

**11. For the 72" model:** Unscrew and remove the outer disk from the **Small Stationary Glass Bracket (#23)**. If necessary, slide the **Door Stopper (#01)** away from the area so that it will not interfere with the placement of the **Small Stationary Glass (#24)**.

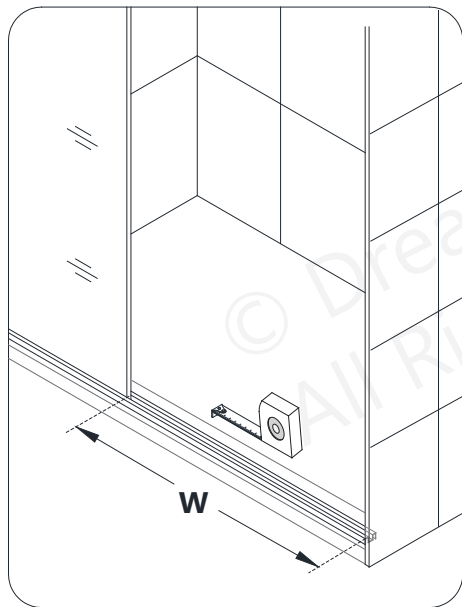
Apply waterproof silicone into the **Bottom Channel (#15)**. Use enough silicone so that the glass will distribute the silicone evenly to secure and seal the glass into the channel. Slide the **Small Stationary Glass (#24)** into the **Bottom Channel (#15)** and position it up against the wall.

Position the **Small Stationary Glass Bracket (#23)** to align with the hole in the **Small Stationary Glass (#24)**. Secure the **Small Stationary Glass (#24)** to the **Small Stationary Glass Bracket (#23)** and firmly fasten the outer disk. (**Fig 11**)



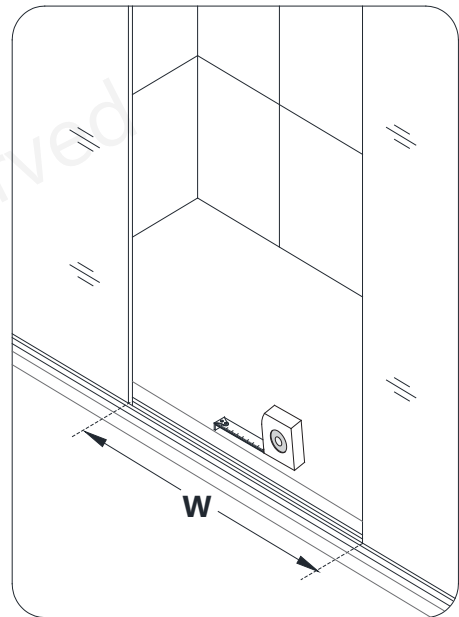
**Fig 11**

**12a. For the 60" model,** measure the distance between the **Stationary Panel Glass (#02)** and the wall. (Fig 12a)



**Fig 12a**

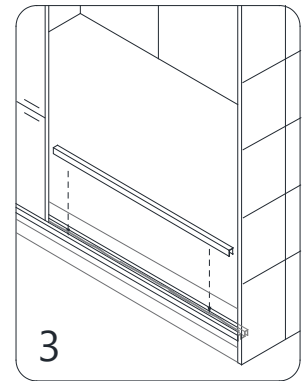
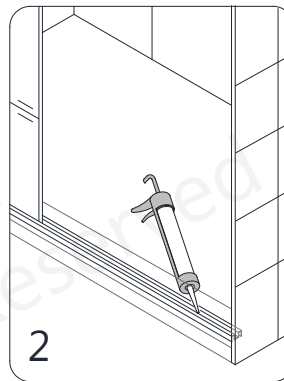
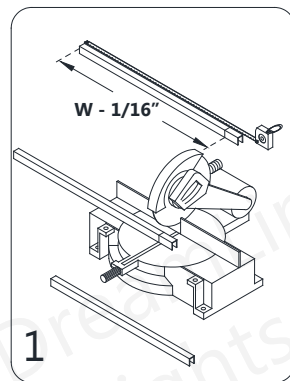
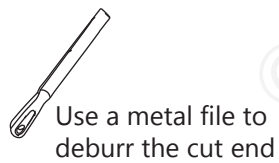
**12b. For the 72" model,** measure the distance between the **Stationary Panel Glass (#02)** and the **Small Stationary Glass (#24)**. (Fig 12b)



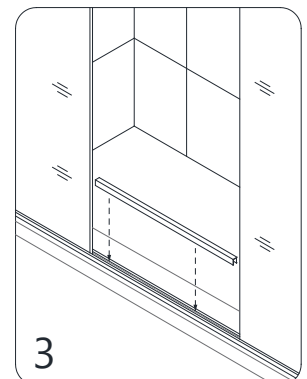
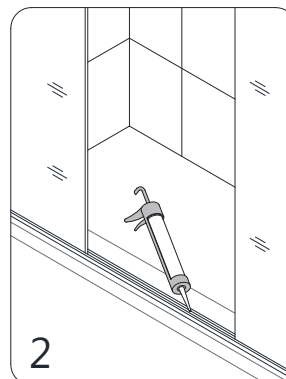
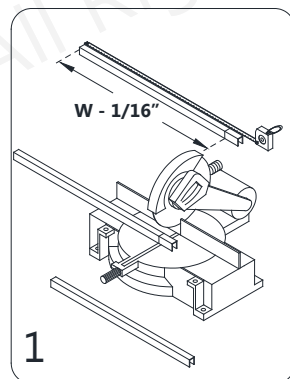
**Fig 12b**

**13. Cut the Bottom Channel Cover (#14) to the size of  $W - 1/16"$ . Apply waterproof silicone into the Bottom Channel (#15) and push the Bottom Channel Cover (#14) into the Bottom Channel (#15).** (Fig 13)

**A. 60" model**



**B. 72" model**



**Fig 13**

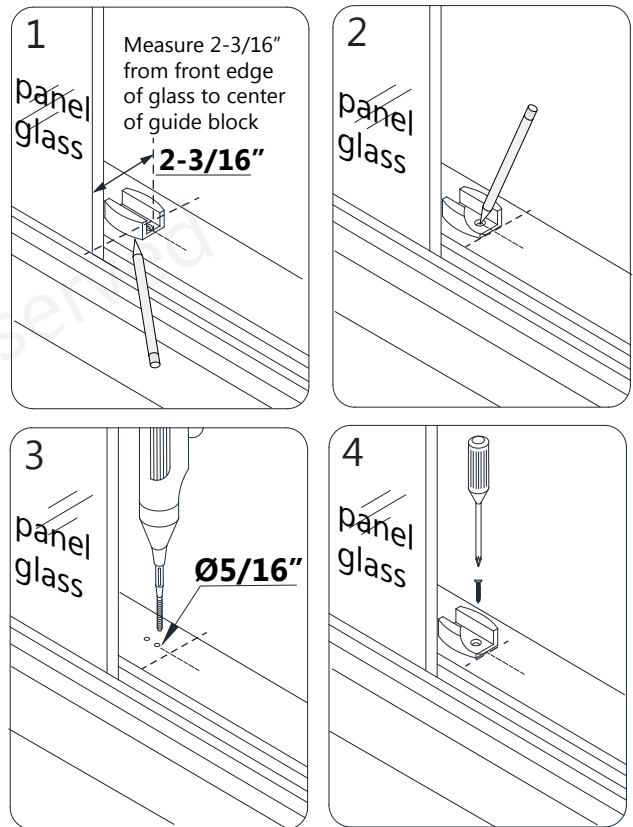
Right-hand door installation shown as an example



**14.** Place the **Guide Block (#12)** onto the threshold, parallel to the **Stationary Panel Glass (#02)** and even with the vertical edge of the glass. **(Fig 14.1)**  
Position the **Guide Block (#12)** so that the center is **2-3/16"** to the outside surface of the **Stationary Panel Glass (#02)**. **(Fig 14.1)**

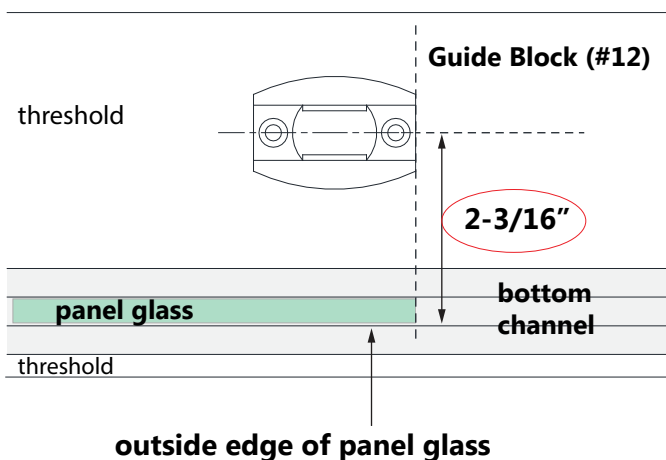
Remove the **Guide Block (#12)** and drill the holes into the threshold using a **Ø5/16"** drill bit. Apply silicone into the holes and insert the **Wall Anchor Ø5/16"** (#18). Fasten the **Guide Block (#12)** to the threshold with the **Countersunk Screw ST4.2×30 (#16)**. **(Fig 14)**

**!** **Note:** Install the **Guide Block (#12)** square to the panel glass to prevent the door glass from making contact with the **Guide Block (#12)**



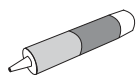
**Fig 14**

Right-hand door installation shown as an example



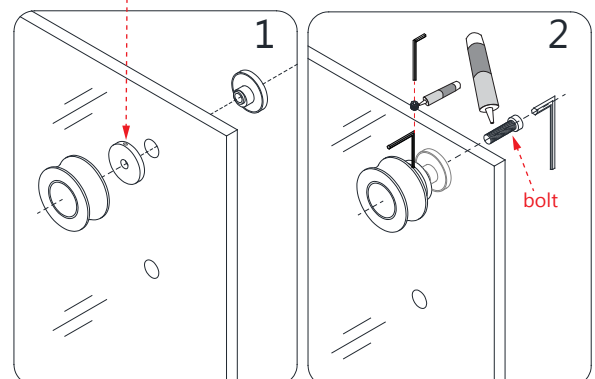
**NOTE: DO NOT** attach the handle to the Door Glass until instructed to do so. **DO NOT** attempt to lift the Door Glass with the handle as this may result in damage to the glass and/or serious personal injury.

**15.** Attach the top two **Rollers (#04)** to the **Door Glass (#05)** with the wheels facing outside of the shower. **Apply a drop of Thread Lock Adhesive (#26) to the bolts and safety set screws.** Align the **safety set screw** towards the top for easier access to retighten after installation. **(Fig 15 and page 21)**



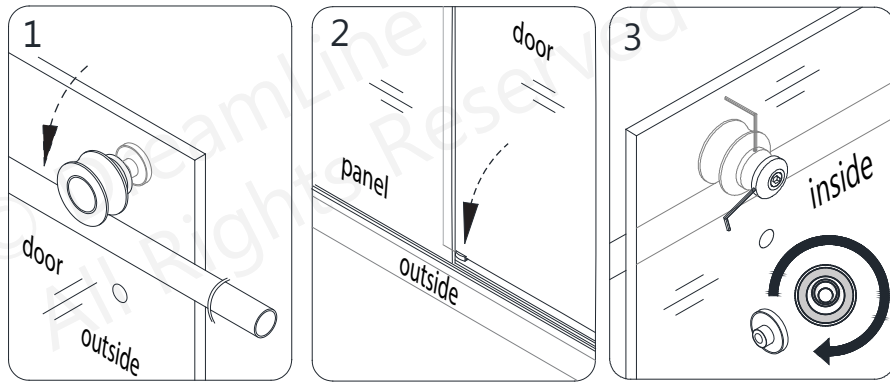
add threadlock to the safety set screw and wheel bolt

position the safety set screw at the top for easy access



**Fig 15**

**16.** Lift the door and position the **Rollers (#04)** onto the **Upper Guide Rail (#03)** while carefully aligning the bottom edge of the **Door Glass (#05)** into the **Guide Block (#12)**. If necessary, use the adjustment disks on the **Rollers (#04)** to ensure that the bottom edge of the **Door Glass (#05)** does not make contact with the bottom of the **Guide Block (#12)** and so that the door makes an even seal with the wall. **Refer to the Roller Adjustment procedure on page 21 for details.** (Fig 16)



**Fig 16**



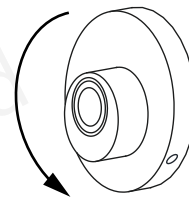
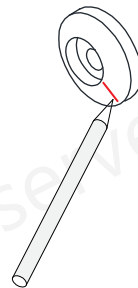
**NOTE: For the 60" model:** Attach the **Bulb Vinyl Seal (#13)** to protect the edge of the door glass before closing the door or making any adjustments. (see Fig 18.1)



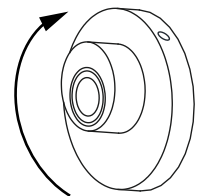
**TIP:** Use a 1/4" shim (wood or plastic) beneath the Door Glass when adjusting the rollers so that the bottom of the door glass does not make contact with the guide block or threshold.



**TIP:** Mark the location of the high spot on the outer surface of the adjustment disks with a felt tip pen to make adjustment easier to see. Pointing both high spots toward the 3 o'clock position to allow installation of the rollers in a neutral position.



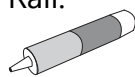
Lower Door Glass



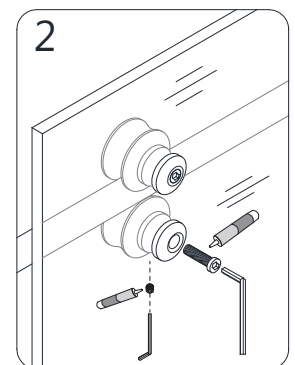
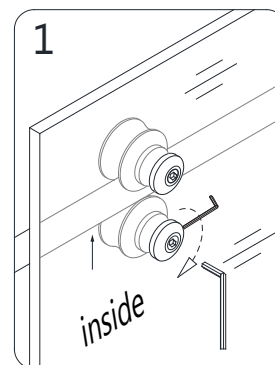
Raise Door Glass

Roller wheel adjustment disks

**17.** Install the two lower **Rollers (#04)** onto the **Door Glass (#05)** to secure the Door Glass to the **Upper Guide Rail (#03)**. Position the roller's safety set screw at the bottom for easy access. Apply a drop of **Thread Lock Adhesive (#26)** to the bolts and safety set screws. Rotate the Adjustment disks so that the lower **Rollers (#04)** make contact with the Guide Rail. (Fig 17)



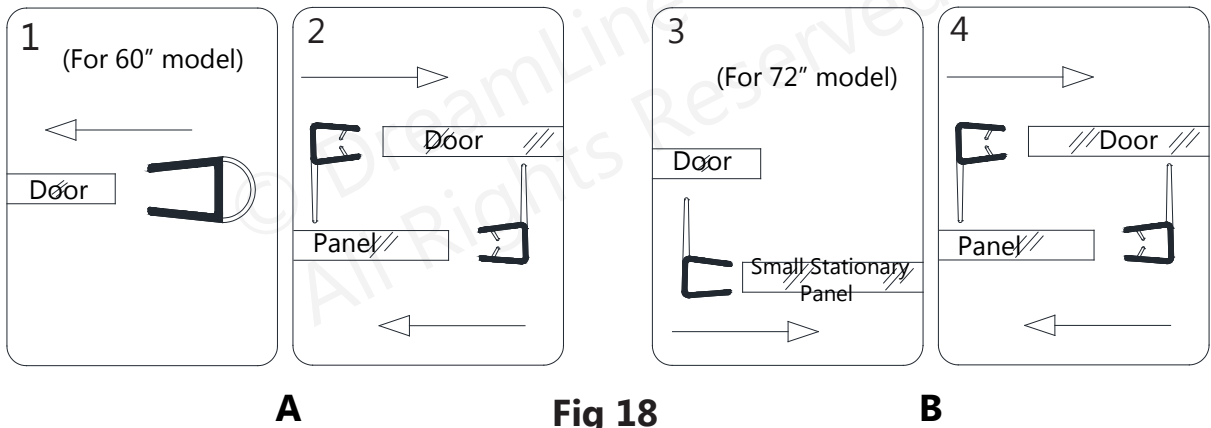
add threadlock to the safety set screw and wheel bolt



**Fig 17**

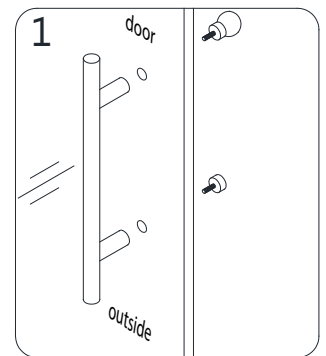
**18.** Press the **Bulb Vinyl Seal (#13)** onto the vertical edge of the **Door Glass (#05)**. Press the **Anti-Water Strip (#17)** onto the vertical edges of the **Stationary Glass (#02)** and the **Door Glass (#05)**. (Fig 18-A)

**For the 72" model:** Press the **Anti-Water Strip (#25)** onto the vertical edge of the **Small Stationary Glass (#24)**. (Fig 18-B) (**Bulb Vinyl Seal (#13)** is not necessary with the 72" model)



Right-hand door installation shown as an example

**19.** Install the **Handle (#06)** through the holes in the the **Door Glass (#05)**. (Fig 19)



**Fig 19**

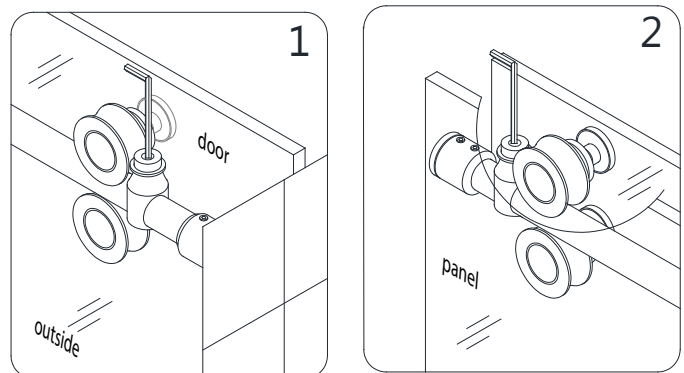


**NOTE:** The **Door Stoppers (#01)** must be positioned correctly to prevent the handle from contacting the **Stationary Panel Glass (#02)** and to stop the **Door Glass (#05)** in a position that allows the bumper strip to create an even seal with the wall (60" model), but does not allow the Door Glass to bang into the wall.

**Observe the correct position of these stoppers and adjust as necessary to ensure safe operation.**

**20.** Position both **Door Stoppers (#01)** so that they are upright and the **Door Glass (#05)** is in its maximum opening and closing range. Apply a drop of **Thread Lock (#26)** to the stopper set screws and tighten them to secure the stoppers in place. (Fig 20)

-- **See step #21** for important details regarding the installation of the **Door Stoppers (#01)**.



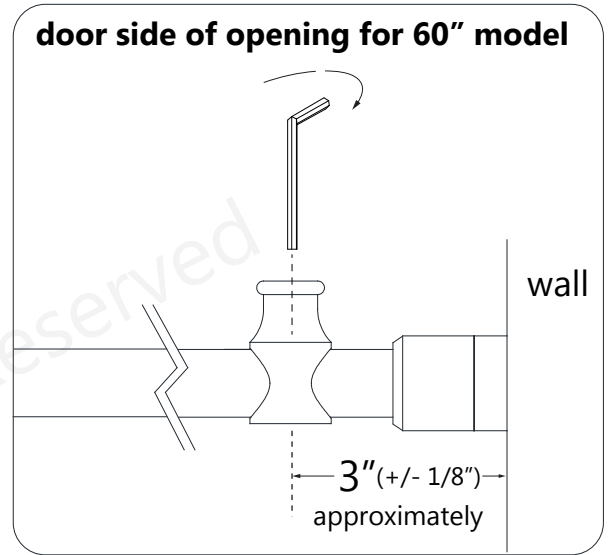
**Fig 20**

Right-hand door installation shown as an example



**21.** Position the **Door Stoppers (#01)** and screw them tightly to the **Upper Guide Rail (#03)**. (Fig 21a and Fig 21b)

**\*For the 72" model:** Install the door side stopper in a position to prevent the handle from making contact with the Small Inline Panel Glass when the door is in the closed position. **Approximately 1-3/4" from the edge of the glass to the center of the stopper.** (Fig 21b.7)

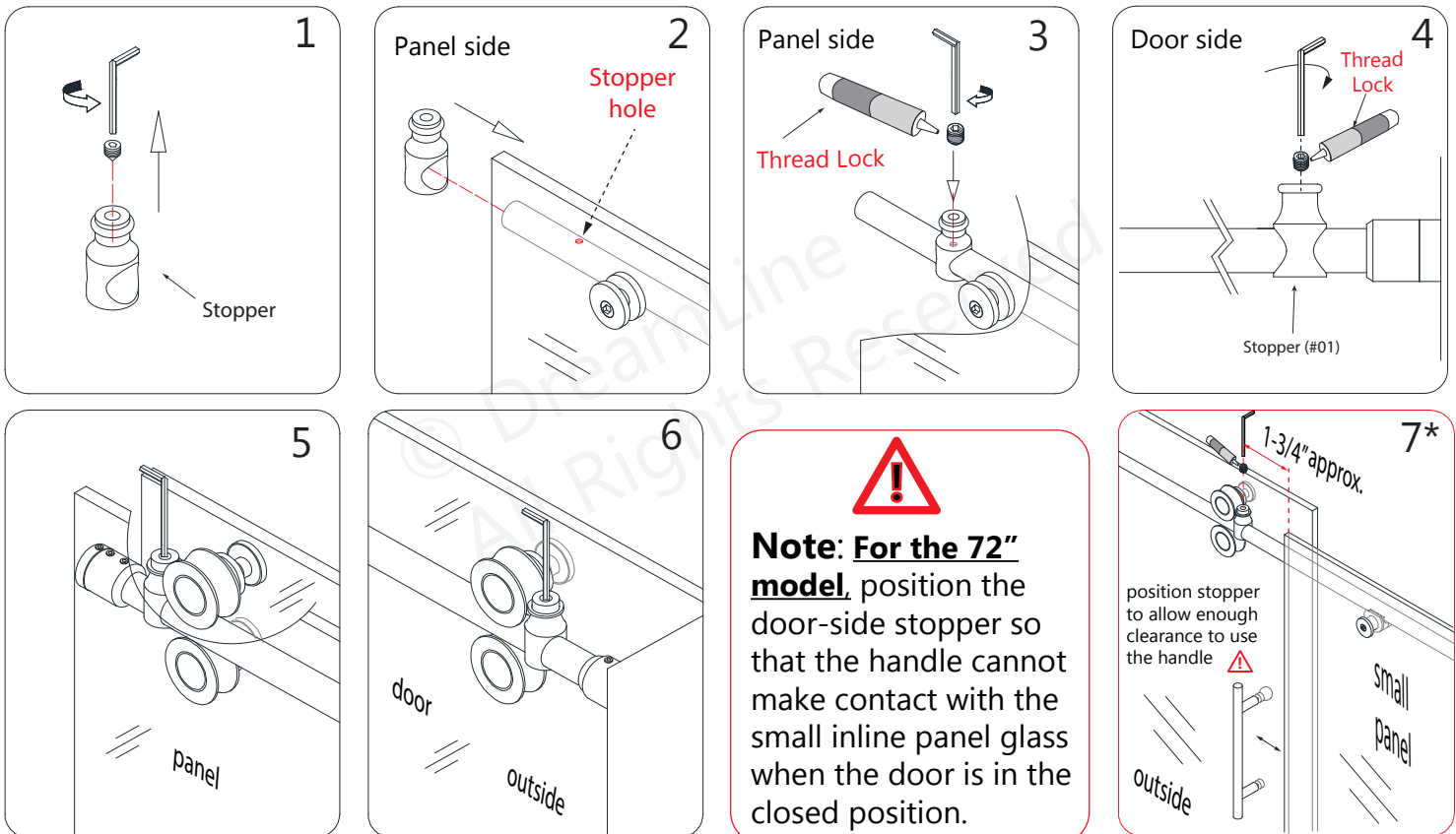


**Fig 21a**

### Door Stopper Installation:

1. Remove the set screw from each stopper and apply a drop of **Thread Lock (#26)** to the threads.
2. Correctly position the door-side stopper and tighten the set screw
3. Align the panel-side stopper with the stopper hole (stationary panel side only) and tighten the set screw into the stopper hole.

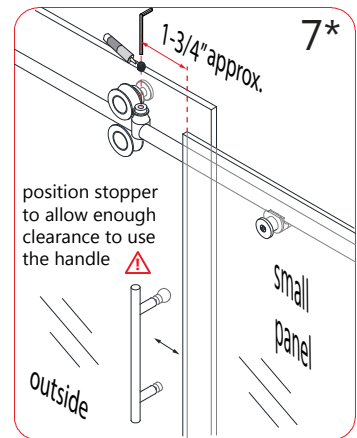
(Fig 21b)



(ENIGMA 60" model - Right-hand door installation shown as an example)

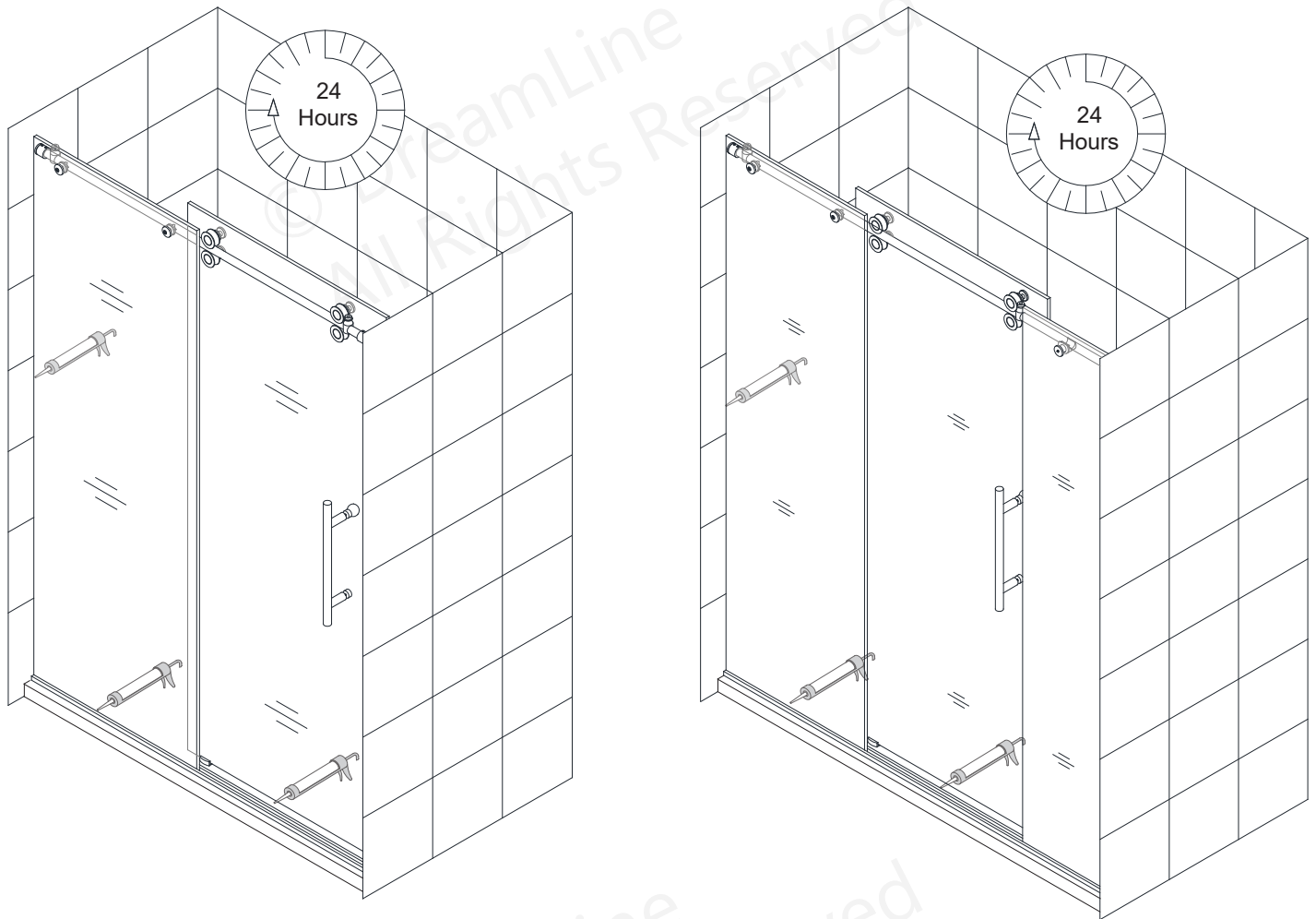
**Fig 21b**

**Note:** For the **72" model**, position the door-side stopper so that the handle cannot make contact with the small inline panel glass when the door is in the closed position.



**72" model** with Right-hand door installation shown

**22.** Apply a good quality mildew-resistant silicone along the connection of the **Stationary Panel Glass (#02)** and **Small Stationary Glass (#24)** (for 72" model) and the wall. Also apply an additional bead of silicone along the **Bottom Channel (#15)**. (**Fig 22**)



**Fig 22**



**Allow 24 hours for the silicone to cure before using the shower.**



**Do Not** hang or drape a towel or wash cloth over the Enigma guide rail as this may cause the roller wheels to get stuck and possibly cause serious damage or injury.

## Roller adjustment procedure for: Enigma, Enigma-X, Enigma-XO

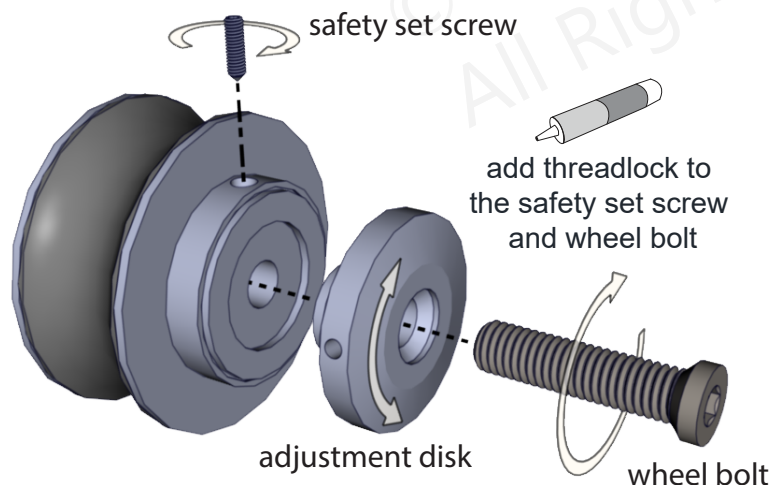
To create a good seal with the wall and to achieve minimal clearance beneath the door glass without making contact with the bottom guide block or threshold.  
Have at least two 3/16" shims or wedge shims (to maintain space beneath the door glass) and an assistant available to help with this procedure.  
Adjust only one wheel at a time. You may need to perform these steps more than once to get the desired results.

**NOTE:** Be sure to install the Bulb Vinyl Seal onto the edge of the door glass to protect the edge from contact with the wall during installation or adjustment.

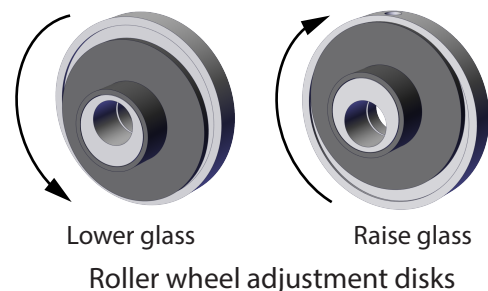


**CAUTION:** The door glass is heavy and may require two people to safely accomplish these steps. **Do Not** adjust the rollers without first securing the door glass with shims, an assistant or both.

1. First, loosen and lower either the Roller Guards (Enigma-X) or Bottom Rollers (Enigma/Enigma-XO) to allow enough room to adjust the upper rollers. (If you have not installed these yet, you will be instructed to in **step #7** below after these adjustments are made)
2. Loosen the safety set screw on the roller (remove and apply a drop of thread lock if not done already)
3. Loosen the wheel bolt just enough so that you can rotate the adjustment disk. (remove and apply a drop of thread lock if not done already)
4. Rotate the adjustment disk to raise or lower the door slightly with help from an assistant. You can use a small tool (like an allen wrench) to aid in turning this disk by inserting it into the small hole on the edge of the adjustment disk.
5. While holding the adjustment disk in place, retighten the wheel bolt. Use a shim or have an assistant hold the door glass in place while you retighten the wheel bolt.
6. Once satisfied with the adjustment, it is very important to re-tighten the safety set screw to hold the wheel bolt in place.
7. For the Enigma-X: Reposition the roller guards approximately 1/16" beneath the guide rail and retighten. For the Enigma and Enigma-XO: adjust the lower rollers to make contact with the guide rail using the same methods as described in the steps above.



The provided Thread Lock will remain workable for approximately 10-15 minutes before drying.





## Product Maintenance

**BASES and BACKWALLS:** To ensure long-lasting life for your acrylic back walls, wipe them off after each use with a soft cloth. To clean the acrylic back walls use non-abrasive sprays or cream based cleaners. Avoid the use of aerosol spray cleaners. Never use abrasive cleansers, metal brushes or scrapers that could scratch or dull the surface.

**GLASS:** To ensure long-lasting life for your glass shower products, wipe them off after each use with a soft cloth. Rinse and wipe off the glass using either a soft cloth or a squeegee to prevent soap buildup and water spots (Hard water can etch the surface of the glass over time if left to dry). To prevent scratching the surface: never use abrasive cleaners or cleaning products that contain scouring agents. Never use bristle brushes or abrasive sponges that may permanently scratch the surface.

**HARDWARE:** To ensure a long-lasting finish, wipe off the metal parts after each use with a soft cloth. Do not use abrasive cleaners or cleaning products containing ammonia, bleach or acid. If accidentally used, rinse the surface as soon as possible to prevent damage to the finish (peeling or corrosion). After cleaning the polished finishes, rinse thoroughly and wipe dry with a soft cloth. Clean stainless steel surfaces at least once a week. When applying stainless steel cleaner or polish to stainless steel hardware, work with (not across) the grain. Never use an abrasive sponge or cloth, steel wool or wired brush as these may permanently scratch the surfaces.

**NOTE: To maximize the life of your door, it is important to regularly inspect the glass and all hardware for misalignment, proper attachment, and/or damage. Contact DreamLine® with any questions or concerns.**

### **ENIGMA MAINTENANCE CHECKLIST**

- Guide Rail** level and tight
- Guide Rail Brackets** tight to the walls
  - o All set screws tight
- Panel Glass** secure
- Panel Glass Brackets** tight
- Guide Block** square to the threshold and glass
- Proper clearance beneath the door glass between the threshold and within the guide block
- Door Glass** adjusted so that the **Bulb Vinyl Seal** makes even contact with the wall
- Wheel Assemblies** tight
  - o Wheel **roller bolts** tight
  - o Wheel assembly **safety set screws** tight and accessible
- Stoppers** tight and positioned correctly
  - o **Panel-side stopper** installed into the pre-drilled hole in the guide rail
  - o Adequate **Handle clearance** when the door is fully open
  - o **Door-side stopper** positioned at approximately 3" (+/- 1/8") (as measured from the wall to the center of the stopper)
- Stopper stops the door and bulb vinyl seals to the wall
- Bottom Rollers** should make contact with the guide rail.
- Remove vinyl seals to **inspect the edges of the door glass** for concealed damage
  - o **Damaged glass must be replaced!**
- Replace damaged or missing vinyl seals

© DreamLine  
All Rights Reserved



© DreamLine  
All Rights Reserved

TEL: 866-731-2244  
FAX: 866-857-3638  
DREAMLINE.COM

For more information on DreamLine® Shower Doors and Enclosures please visit **DreamLine.com**